

# COMBI FRIDGE

Model:

**HCNF-M435INVHXE++**



- Total capacity: 435 L
- Energy class: E

**HEINNER**

## 1. INTRODUCTION

Please read the instructions carefully and keep the manual for future information.

This manual is designed to give all necessary instructions concerning installation, use and maintenance of the unit. In order to operate the unit correctly and safely, please read this instruction manual carefully before installation and use.

## 2. CONTENT OF YOUR PACKAGE

- ➔ **Combi fridge**
- ➔ **User manual**
- ➔ **Certificate of warranty**





## 3. SAFETY WARNINGS

Before switching on the appliance for the first time, please read the following safety instructions!

This appliance is intended for use in domestic and similar applications such as staff kitchens in shops, offices and other working environments; farmhouses and by customers in hotels, motels and other residential type environments; bed and breakfast type environments; catering and similar non-retail applications.

This appliance is not intended for use by persons (including children) with reduced physical, sensory or mental capabilities, or lack of experience and knowledge, unless they have been given supervision or instruction concerning the use of the appliance by a person responsible for their safety.

### Explanation of terms/symbols

	<b>DANGER</b> This symbol indicates that there are dangers to the life and health of persons due to extremely flammable gas.
	<b>WARNING</b> The signal word indicates a medium hazard which, if not avoided, may result in death or serious injury.
	<b>CAUTION</b> The signal word indicates a low level of risk which, if not avoided, may result in minor or moderate injury.
	<b>ATTENTION</b> The signal word indicates important information (e.g. damage to property), but not danger.

**Important:** Pay particular attention to messages that contain the words **DANGER**, **WARNING** or **CAUTION**. These words are used to alert you to a potential hazard that can seriously injure you and others.

The instructions will tell you how to reduce the chance of injury and let you know what can happen if the instructions are not followed.

**Attention:** These operating instructions are general. This means that certain functions apply to your refrigerator/freezer, while others do not.

We are constantly working on the further development and improvement of our appliance types and models. Therefore, we reserve the right to make changes to the design, equipment and accessories of all types and models without prior notice.

## General safety



### Risk of fire/flammable materials

The refrigerant and cyclopentane foam used in the appliance are flammable. Therefore, when the appliance is scrapped, it must be kept away from any fire source and recovered by a specialist recovery company with the appropriate qualifications, and not disposed of by incineration, in order to prevent damage to the environment or other harm.



### WARNING

- Children should be supervised to ensure that they do not play with the appliance.
- If the supply cord is damaged, it must be replaced by the manufacturer, its service agent or similarly qualified persons in order to avoid a hazard.
- Do not store explosive substances such as aerosol cans with a flammable propellant in this appliance.
- The appliance must be unplugged after use and before conducting user maintenance on the appliance.
- Keep ventilation openings, in the appliance enclosure or in the built-in structure, clear of obstruction.
- Do not use mechanical devices or other means to accelerate the defrosting process, other than those recommended by the manufacturer.
- Do not damage the refrigerant circuit.
- Do not use electrical appliances inside the food storage compartments of the appliance, unless they are of the type recommended by the manufacturer.
- Please abandon the refrigerator according to local regulators for its use of flammable blowing gas and refrigerant.
- When positioning the appliance, ensure the supply cord is not trapped or damaged.
- Do not locate multiple portable socket-outlets or portable power supplies at the rear of the appliance.
- Do not use extension cords or ungrounded (two prong) adapters.
- To avoid a hazard due to instability of the appliance, it must be fixed in accordance with the instructions.
- The refrigerator must be disconnected from the source of electrical supply before attempting the installation of accessory. Ensure that the power cable is not trapped by the refrigerator. Do not step on the power cable.
- For a freestanding appliance: this refrigerating appliance is not intended to be used as a built-in appliance.

## Daily use



### CAUTION

- Do not pull the power cord when pulling the power plug of the refrigerator. Please firmly grasp the plug and pull it out from the socket directly.
- To ensure safe use, do not damage the power cord or use the power cord when it is damaged or worn.
- Please use a dedicated power socket and the power socket shall not be shared with other electrical appliances.

- The power plug should be firmly contacted with the socket or else fires might be caused.
- Please ensure that the grounding electrode of the power socket is equipped with a reliable grounding line.
- The fridge is only applied with power supply of single-phase alternating current of 220~240V/50Hz.
- Please turn off the valve of the leaking gas and then open the doors and windows in case of leakage of gas and other flammable gases.
- Do not unplug the refrigerator and other electrical appliances considering that spark may cause a fire.
- Do not use electrical appliances on the top of the appliance, unless they are of the type recommended by the manufacturer.
- The gaps between refrigerator doors and between doors and refrigerator body are small, be noted not to put your hand in these areas to prevent from squeezing the finger. Please be gentle when close the refrigerator door to avoid falling articles.
- Do not pick foods or containers with wet hands in the freezing chamber when the refrigerator is running, especially metal containers to avoid frostbite.
- Do not allow any child to get into or climb the refrigerator; otherwise, suffocation or falling injury of the child may be caused.
- Do not place heavy objects on the top of the refrigerator considering that objectives may fall when close or open the door, and accidental injuries might be caused.
- Do not put flammable, explosive, volatile and highly corrosive items in the refrigerator to prevent damages to the product or fire accidents.
- Do not place flammable items near the refrigerator to avoid fires.
- The refrigerator is intended for household use, such as storage of foods; it shall not be used for other purposes, such as storage of blood, drugs or biological products, etc.
- Do not store beer, beverage or other fluid contained in bottles or enclosed containers in the freezing chamber of the refrigerator; or otherwise, the bottles or enclosed containers may crack due to freezing to cause damages.



#### WARNING


**For EU standard:** This appliance can be used by children aged from 8 years and above and persons with reduced physical, sensory or mental capabilities or lack of experience and knowledge if they have been given supervision or instruction concerning use of the appliance in a safe way and understand the hazards involved. Children shall not play with the appliance. Cleaning and user maintenance shall not be made by children without supervision.

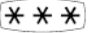
To avoid contamination of food, please respect the following instructions:


- Opening the door for extended periods can cause a significant increase of the temperature in the compartments of the appliance.
- Clean regularly surfaces that can come in contact with food and accessible drainage systems.
- Store raw meat and fish in suitable containers in the refrigerator, so that it is not in contact with or drip onto other food.
- Two-star frozen-food compartments are suitable for storing pre-frozen food, storing or making ice-cream and making ice cubes (Note 1) (\*).
- 1-star, 2-star and 3-star compartments are not suitable for the freezing of fresh food (Note 2) (\*).
- For appliances without a 4-star compartment: this refrigerating appliance is not suitable for freezing foodstuffs (Note 3) (\*).
- If the refrigerating appliance is left empty for extended periods, switch off, defrost, clean, dry, and leave the door open to prevent mould developing within the appliance.

Note 1, 2, 3: Please check whether it is applicable according to your product compartment type.

(\*): This feature varies depending on the model purchased.

 "4 star" symbol: Freezer at  $-18\text{ }^{\circ}\text{C}$  or colder, and it has the ability of quick freezing a certain amount of food.

 "3 star" symbol: Freezer compartment at  $-18\text{ }^{\circ}\text{C}$  or colder.

 "2 star" symbol: Freezer compartment at  $-12\text{ }^{\circ}\text{C}$  or colder.

 "1 star" symbol: Freezer compartment with a target temperature and storage conditions of  $-6\text{ }^{\circ}\text{C}$ .



#### CAUTION

This product is not recommended for use with sockets or main switch with the AFCI/ GFCI function, otherwise it may cause false tripping.

1. It may not pose a safety risk when tripped.
2. If tripping persists, it is recommended to replace the sockets or main switch with models not equipped with AFCI/GFCI.



#### WARNING

Risk of child entrapment. Before you throw away your old refrigerator or freezer:

- Take off the doors.
- Leave the shelves in place so that children may not easily climb inside.

## Environmental protection

### Disposing of old electrical devices in an environmentally friendly manner

This crossed-out wheeled bin symbol indicates that waste electrical and electronic products (WEEE) should be disposed of separately from the municipal waste stream.

Old electrical products can contain hazardous substances so correct disposal of your old appliance will help prevent potential negative consequences for the environment and human health. Your old appliance may contain reusable parts that could be used to repair other products, and other valuable materials that can be recycled to conserve limited resources.

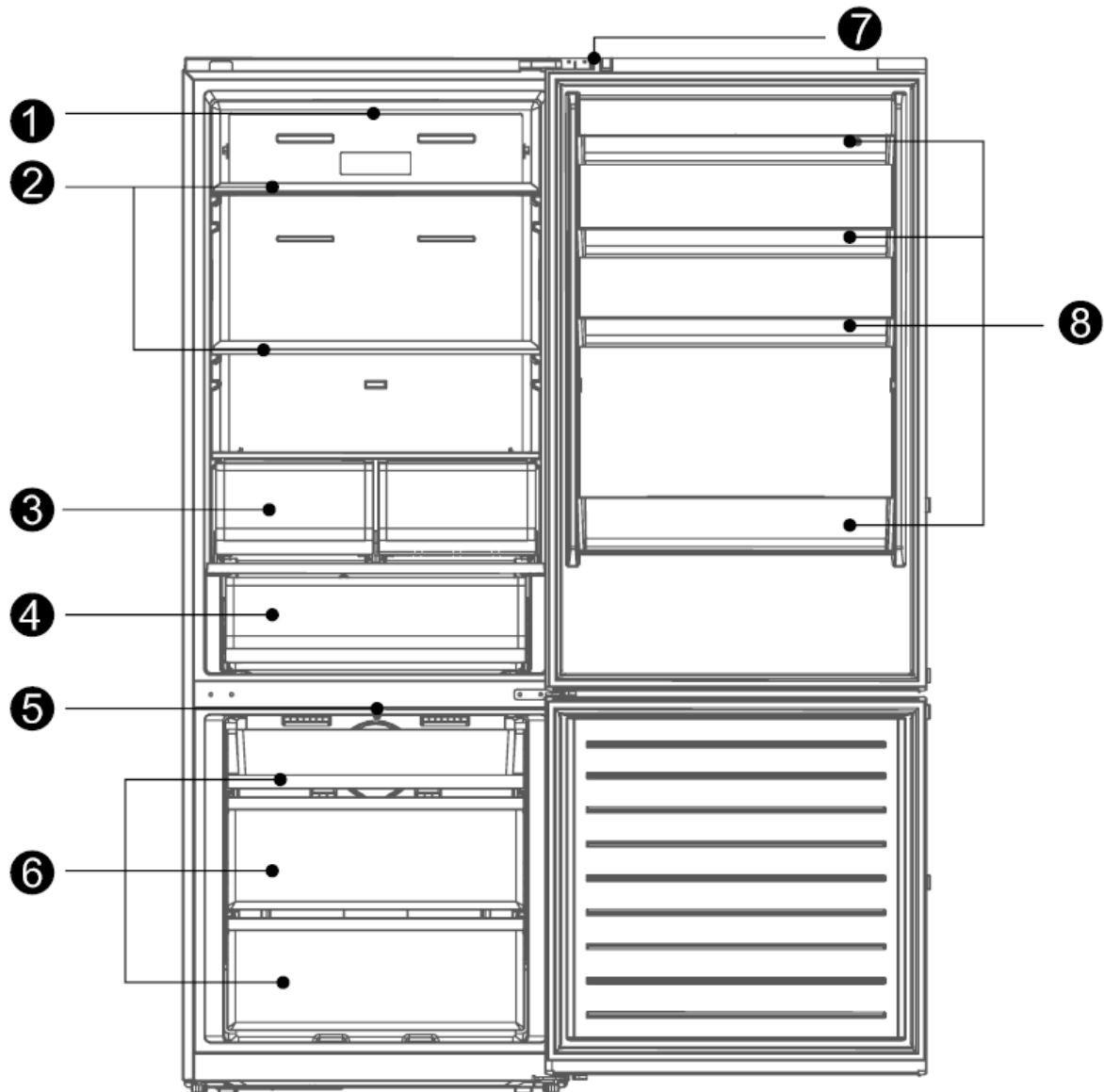


### Package information

Packaging materials of the product are manufactured from recyclable materials in accordance with our National Environment Regulations. Do not dispose of the packaging materials together with the domestic or other wastes. Take them to the packaging material collection points designated by the local authorities.



## 4. PRODUCT DESCRIPTION



1. LED light	5. LED light
2. Shelves	6. Drawers
3. Crisper drawers	7. Magnetic door switch
4. Chiller compartment	8. Door shelves

For the most efficient use of energy, please keep all internal items such as trays, drawers, shelves, and ice cube tray in the position specified by the manufacturer.

This refrigerator appliance must be installed independently and cannot be used as a built-in appliance. Otherwise, the performance and service life of the appliance will be reduced, and the manufacturer does not provide warranty.



### ATTENTION

**Differences:** Due to technical changes, some of the illustrations in this manual may not accurately reflect the appearance of the actual product.

## 5. INSTALL INSTRUCTIONS

### Before first use

Remove the exterior and interior packing, wipe the outside thoroughly with a soft dry cloth and the inside with a wet, lukewarm cloth.

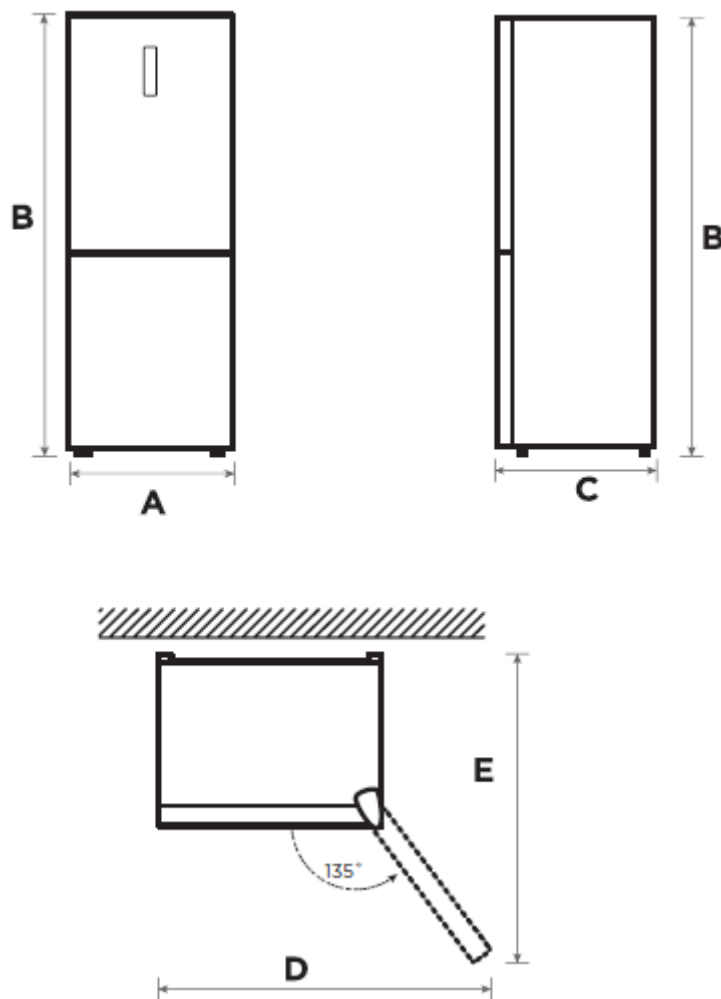
Avoid placing the cabinet in a narrow recess or near any heat source, direct sunlight, or moisture.

Keep the air circulation free around the cabinet. When installing the unit, ensure 10 cm of free space at both sides, 10 cm at the top of the unit, and not more than 7.5 cm at the rear of the unit.

Before connecting your refrigerator to the power supply, check that the voltage stated on the rating label of your appliance corresponds to the voltage in your home. A different voltage could damage the appliance.

The appliance must be grounded. The manufacturer is not responsible for damages that may occur as a result of usage without grounding.

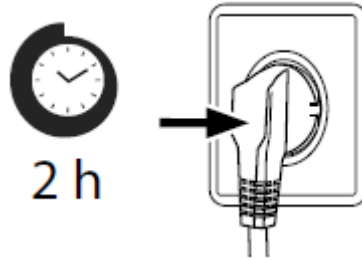
### Space requirement



A	B	C	D	E
700 mm	1880 mm	666 mm	1112 mm	1252 mm

## Connecting the appliance

After installing the product, please let it stay for more than 2 hours before turning on the power, otherwise it will lead to a decrease in cooling capacity or a damage to the product.



Allow the appliance to run empty for 24 hours so the compartment can cool to the appropriate temperature.



### CAUTION

The refrigerator should always be plugged into its own individual electrical outlet which has a voltage rating that matches the rating plate.

When positioning the appliance, ensure the supply cord is not trapped or damaged.

## Ambient temperature

Depending on the climate class, this refrigerator is intended to be used at an ambient temperature range as specified in the following table.

The product may not operate properly at temperatures outside of the specific range.

You can find the climate class on the product label.

Climate class	Ambient temperature
SN	+10 °C to +32 °C
N	+16 °C to +32 °C
ST	+16 °C to +38 °C
T	+16 °C to +43 °C

If you have any doubts regarding installation, please turn to the vendor, to our customer service or to the nearest Authorised Service Centre.

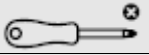


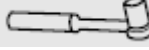


### ATTENTION

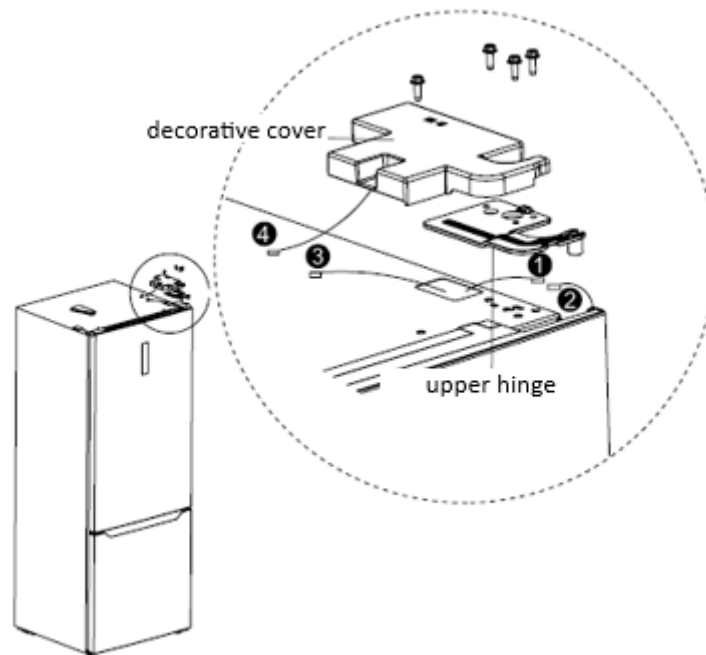
The cooling performance and power consumption of the refrigerator may be affected by the ambient temperature, the door-opening frequency, and the location of the refrigerator. We recommend adjusting the temperature settings as appropriate.

## Door reversibility

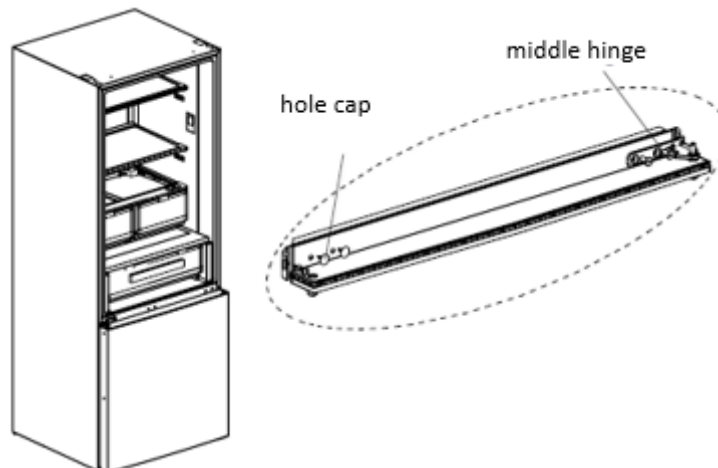
List of tools to be provided by the user:

	Cross screwdriver
	Putty knife/Thin-blade screwdriver
	Masking tape
	5/16" socket spanner

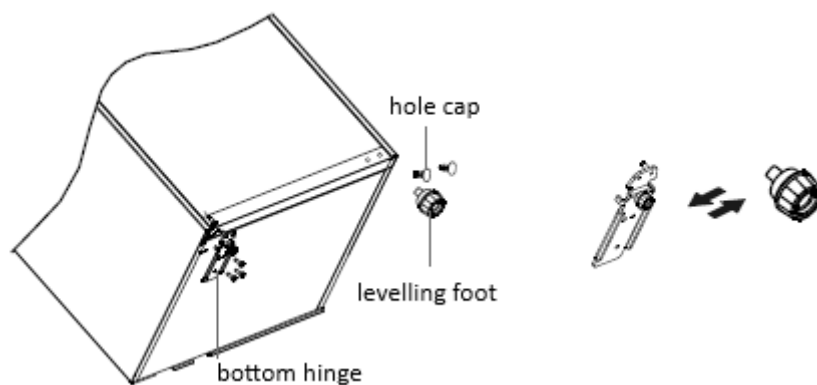
1. Please turn off this appliance before performing this operation. Remove all food from the door shelves.
2. Remove the decorative cover, hinge cover, upper hinge, and screws. Disconnect the top-right signal line (signal line terminals 1 and 2) and the signal line (signal line terminals 3 and 4).



3. Remove the refrigerating compartment door, the middle hinge (use an Allen wrench to remove the middle hinge screw), and the hole cap on the other side.



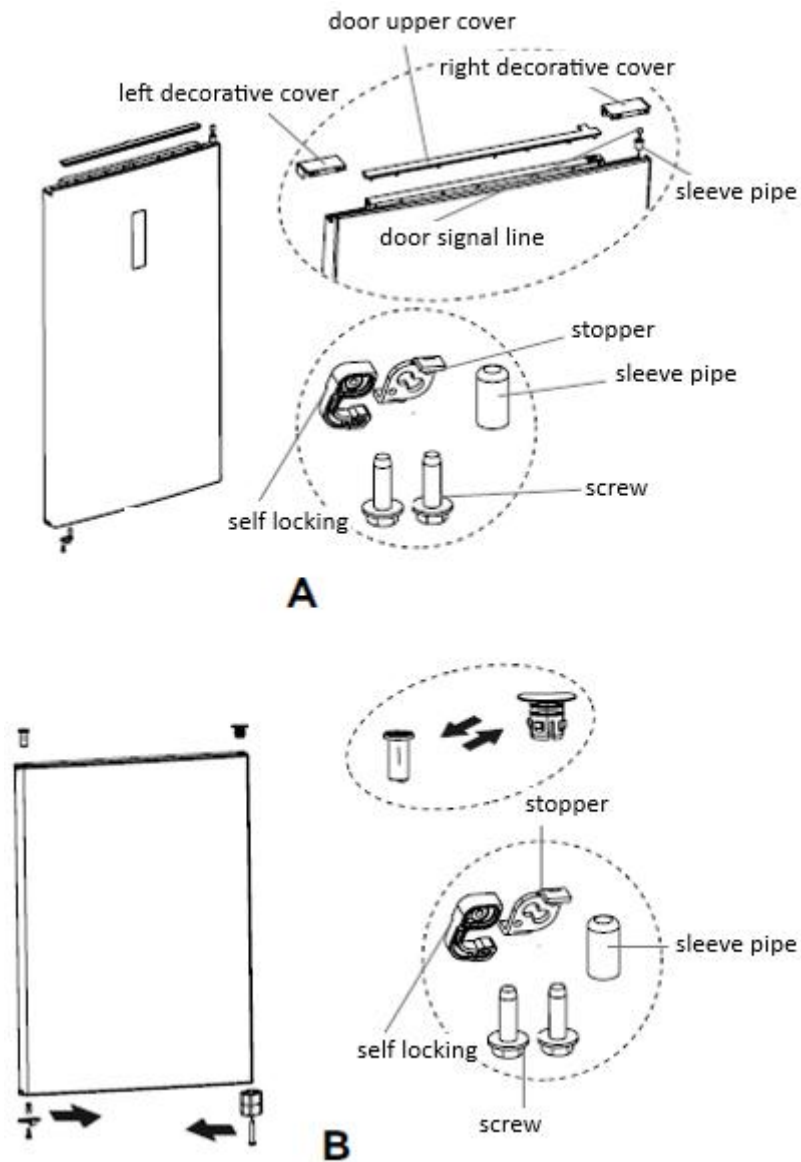
4. Remove the freezing compartment door, dismantle the bottom hinge, hole caps, and levelling feet. Install the shaft of the bottom hinge on the other side and attach the bottom hinge to the other side.



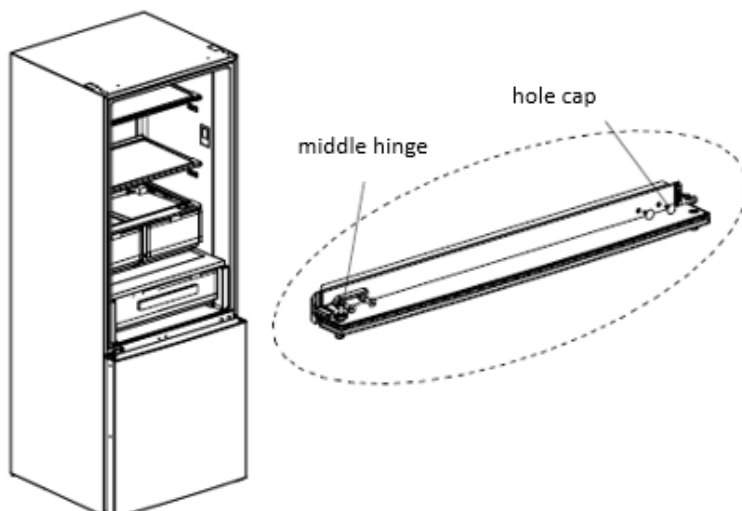
5. A. Remove the upper cover of the refrigerating compartment door and the left decorative cover. Install the upper hinge sleeve and the door signal line on the other side, then reinstall the upper door cover. Dismantle the stopper, self-locking mechanism, and sleeve pipe of the refrigerating compartment door. Take the left self-locking mechanism for the refrigerating compartment door and the right decorative cover from the accessory bag. Assemble the sleeve pipe, left self-locking

mechanism, and stopper on the bottom left of the door using screws, and then install the right decorative cover.

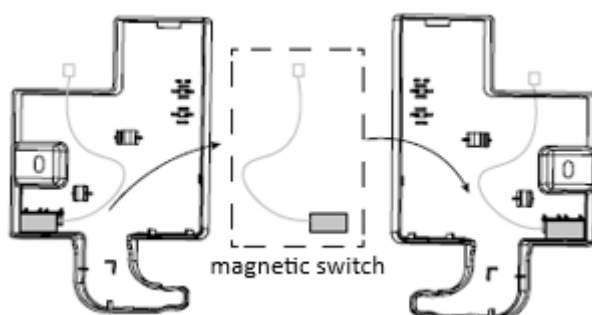
B. Remove the stopper and sleeve pipe from the bottom right of the freezing compartment door. Assemble the sleeve pipe, left self-locking mechanism, and stopper on the bottom left of the door using screws.



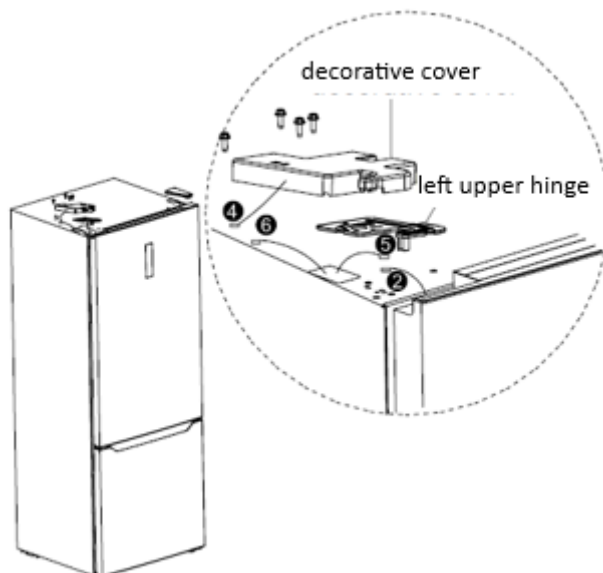
6. Place the freezing compartment door onto the bottom hinge and install the middle hinge and hole caps.



7. Remove the magnetic switch from the right hinge cover and install it onto the left hinge cover.



8. Take the upper left hinge from the accessory bag, place the door body onto the middle hinge, and install the upper left hinge. Connect signal line 5 at the top of the refrigerator to signal line 2 on the door. Connect signal cable 4 to signal cable 6, then install the left hinge cover and decorative cover.



#### ATTENTION

**Differences:** Due to technical changes and variations between models, some of the illustrations in this manual may differ from your specific model.

## Levelling feet

To avoid vibration, the appliance must be levelled.

If required, adjust the levelling feet to compensate for the uneven floor.

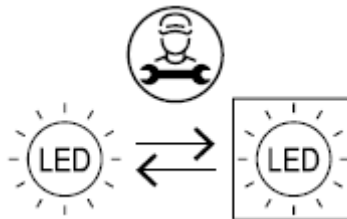
The front should be slightly higher than the rear to aid in door closing.

Levelling feet can be turned easily by tipping the cabinet slightly.

Turn the levelling feet counterclockwise  to raise the unit, clockwise  to lower it.

## Changing the LED light

Any replacement or maintenance of the LED lamps should be carried out by the manufacturer, its service agent, or a similarly qualified person.



This product contains a light source with energy efficiency class F in the freezing compartment.

This product contains a light source with energy efficiency class G in the refrigerating compartment.

## Moving the appliance

1. Remove all items from the appliance.
2. Pull the power plug out, insert and fix it into the power plug hook at the rear or on top of the appliance.
3. Tape parts such as shelves and the door to prevent from falling off while moving the appliance.
4. Move the appliance with more than two people carefully. When transporting the appliance over a long distance, keep the appliance upright.

## Tips for energy saving

Do not place the appliance near cookers, radiators or other heat sources. If the ambient temperature is high, the compressor will run more frequently and for longer, resulting in increased energy consumption.

Ensure that there is sufficient ventilation at the base of the appliance, on the sides of the appliance and at the back of the appliance.

Please also observe the spacing dimensions in the chapter "Installation".

The arrangement of drawers, shelves and trays as shown in the product overview offers the most efficient use of energy and should be retained as far as possible.

To obtain a larger storage space (e.g. for large refrigerated/frozen goods), the middle drawers and shelves can be removed. The top and bottom drawers and shelves should be removed last if necessary.

An evenly filled refrigerator/freezer compartment contributes to optimal energy use.

Allow warm food to cool before placing it in the refrigerator/freezer compartment. Food that has already cooled down increases energy efficiency.

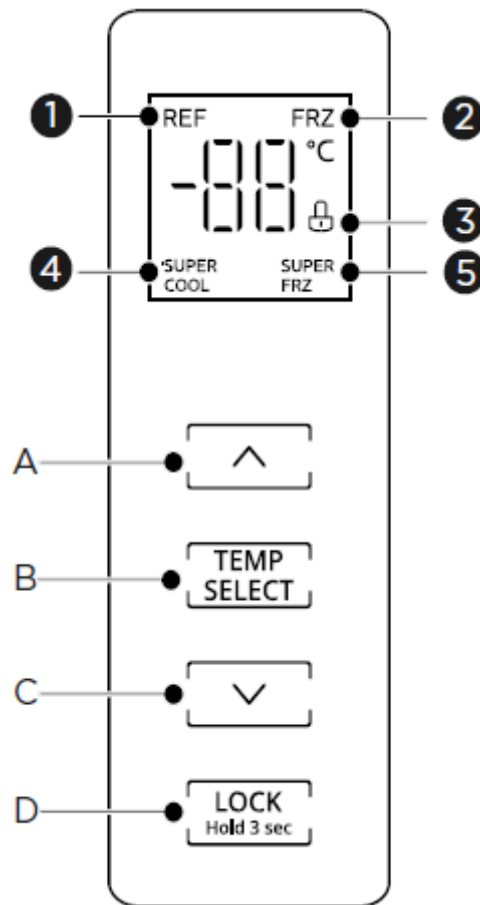
Allow frozen food to defrost in the refrigeration compartment. The coldness of the frozen food reduces the energy consumption in the refrigerator compartment and thus increases energy efficiency.

Open the door only as briefly as necessary to minimise cold loss. Opening the door briefly and closing it properly reduces energy consumption.

Setting the temperature no colder than necessary contributes to optimal energy use.

The door gaskets of your appliance must be perfectly intact so that the doors close properly and energy consumption is not increased unnecessarily.

## 6. CONTROL PANEL



### Display screen

1. Refrigerating compartment temperature
2. Freezer compartment temperature
3. Lock/unlock
4. Super Cool
5. Super Freeze

### Operation buttons

- A. Temperature up
- B. Temperature compartment selection
- C. Temperature down
- D. Lock/unlock





### ATTENTION

The actual control panel may vary depending on the model. The control panel will turn off automatically to save energy.


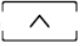

## Temperature setting

### Temperature setting of refrigerating compartment

- Press the "TEMP SELECT" button to change the set refrigeration compartment temperature and the "REF" icon will be displayed.





- With each press of the “” or “” button, the set temperature will increase by 1 °C or decrease by 1 °C. The temperature setting will be active after locking the display panel.
- The temperature setting range in the refrigeration compartment is 2 °C ~ 8 °C.
- Press the temperature zone selection button to select the refrigeration temperature zone. Then, hold down the temperature zone selection button for 3 seconds until you hear three beeps to enter the refrigeration shutdown state. At this time, the digital display will show „ - - ”.
- While in the refrigeration shutdown state, press the temperature zone selection button to select the refrigeration temperature zone. Then, hold down the temperature zone selection button for 3 seconds until you hear three beeps to exit the refrigeration shutdown state. The digital display will return to the normal temperature display, and the default temperature for the refrigeration compartment will be set to 5 °C, entering normal operation mode.

### Temperature setting of freezer compartment



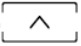
- Press the “” button to change the set freezer compartment temperature and the "FRZ" icon will be displayed.
- With each press of the “” or “” button, the set temperature will increase by 1 °C or decrease by 1 °C. The temperature setting will be active after locking the display panel.
- The temperature setting range in the freezer compartment is -24°C ~ -16°C.

## Functions


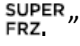
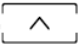
### Lock/Unlock

When the control panel is unlocked, press and hold the “” button for 3 seconds to activate the lock function, „”. When the control panel is locked, press and hold the “” button for 3 seconds to unlock „”. All functions below can only be used when the control panel is unlocked.

### “Super Cool” mode

- When the refrigeration compartment temperature is set to 2 °C, press the temperature reduction button “” to activate the “Super Cool” function. The “” icon lights up and the "Super Cool" function is activated after locking the control panel.
- The “Super Cool” function will be automatically deactivated after 6 hours or by pressing the temperature increase button „”.

### “Super Freeze” mode

- When the freezer compartment temperature is set to -24 °C, press the temperature reduction button “” to activate “Super Freeze” mode. The “” icon lights up and the “Super Freeze” function is activated after locking the control panel.
- “Super Freeze” mode will be automatically deactivated after 40 hours or by pressing the temperature increase button „”.
- We recommend activating the “Super Freeze” mode 12 hours before putting a large amount of frozen food in the freezer compartment.

**Note:** The quick-freezing function is designed to preserve the nutritional value of food in the freezer by freezing it in the shortest possible time. If a large amount of food needs to be frozen at once, it is recommended that the user activate the quick-freezing function before placing the food inside. During this time, the freezing speed of the freezer compartment is increased, allowing the food to freeze quickly, effectively locking in its nutrients and making storage more convenient.

### Door opening alarm function

If the door is left open for more than 120 seconds, the appliance sounds two warning beeps and then a warning beep every minute. Press any button briefly to stop the warning. This warning function cannot be cancelled, so please close the door as soon as possible.

### Fault code

The following warnings appearing on the display indicate faults in the appliance. Even if the appliance cools down in the event of a malfunction, the user should contact a qualified service technician to ensure optimal operation of the appliance.

Fault code	Fault description
E1	Refrigeration compartment temperature sensor fault
E2	Freezer compartment temperature sensor fault
E3	Chiller compartment temperature sensor fault
E5	Freezer defrost sensor fault
E6	Communication error between main control board and display board
E7	Ambient temperature sensor fault

## 7. STORING FOOD

### Freezer compartment

The freezer compartment is designed for freezing food at low temperatures, for long-term storage of frozen food and for making ice cubes.

Pay attention to the star ratings (4-star, 2-star and 1-star) in the freezer compartment and the resulting storage times for frozen foods.

Do not place fresh and frozen food next to each other. The frozen food may thaw.

When freezing large quantities of fresh food (such as meat, fish or minced meat), divide it into several small pieces before placing it in the freezer so that it freezes quickly and is easy to remove.

Follow the storage times recommended by the food manufacturer on the packaging; if there is no information on the packaging, food should not be stored frozen for more than three months from the date of purchase.

When buying frozen food, make sure it has been frozen at the correct temperature and that the packaging is not damaged.

Frozen foods should be stored in proper individual packaging to ensure that neighbouring foods are not contaminated. Consume thawed and defrosted food immediately, do not refreeze.

In the event of a prolonged power failure or appliance malfunction, remove stored frozen food and check that it is still edible, then store in a sufficiently cool place or in another appliance.

To thaw food, remove it from the freezer and allow it to defrost at room temperature or in the refrigerator.

To defrost food quickly, you can use the defrost function on your microwave, for example.

If you only want to defrost part of a package, take out the portion you need and close the rest of the package immediately. This will prevent freezer burn and reduce ice formation on the rest of the food.

### Cooling compartment

To reduce moisture and subsequent ice build-up, never place liquids in the fridge in unsealed containers. Frost tends to concentrate in the coolest parts of the evaporator. Storing liquids uncovered will result in more frequent defrosting.

Never place hot food in the refrigerator. Allow them to cool to room temperature before placing them in the refrigerator to ensure proper air circulation.

Food or food containers should not touch the back of the refrigerator as they may freeze to the wall. Do not open the fridge door regularly.

Meat and clean fish (packaged or wrapped in plastic) can be placed in the refrigerator for 1-2 days.

Unwrapped fruit and vegetables can be placed in the fresh fruit and vegetables section.

## Chiller compartment

Suitable for short-term storage (1–3 days) of fresh fish, fresh meat, fresh food, etc.

Near the back and bottom of the drawer, food may become slightly frozen. Food that should not be frozen should not be placed in these areas.



### ATTENTION

Storage of too much food during operation after the initial connection to power may adversely affect the freezing effect of the refrigerator.

## Recommendations on storage times

After connecting the appliance to the power supply, wait 2-3 hours before putting food in the appliance. If you put the food in before the appliance has cooled down, there is a risk that the food may spoil.

Note: Overlong storage or storage at inappropriate freezing temperature may cause a quality loss or spoiled foods, which causes food waste, is inedible and may cause food poisoning. The minimum temperature in most cases should be -18 °C or colder.

Order	Compartments TYPE	Target storage temp. [°C]	Appropriate food
1	Fridge	+2≤+6	Eggs, cooked food, packaged food, fruits and vegetables, dairy products, cakes, drinks and other foods are not suitable for freezing.
2	(***)*-Freezer	≤-18	Seafood (fish, shrimp, shellfish), freshwater aquatic products and meat products (recommended for 3 months, the longer the storage time, the worse the taste and nutrition), suitable for frozen fresh food.
3	***-Freezer	≤-18	Seafood (fish, shrimp, shellfish), freshwater aquatic products and meat products (recommended for 3 months, the longer the storage time, the worse the taste and nutrition), are not suitable for frozen fresh food.
4	** -Freezer	≤-12	Seafood (fish, shrimp, shellfish), freshwater aquatic products and meat products (recommended for 2 months, the longer the storage time, the worse the taste and nutrition), are not suitable for frozen fresh food.
5	*-Freezer	≤-6	Seafood (fish, shrimp, shellfish), freshwater aquatic products and meat products (recommended for 1 months, the longer the storage time, the worse the taste and nutrition), are not suitable for frozen fresh food.
6	0-star	-6≤0	Fresh pork, beef, fish, chicken, some packaged processed foods, etc. (Recommended to eat within the same day, preferably no more than 3 days). Partially encapsulated processed foods (non-freezable foods)

7	Chill	-2≤+3	Fresh/frozen pork, beef, chicken, freshwater aquatic products, etc.(7 days below 0 °C and above 0 °C is recommended for consumption within that day, preferably no more than 2 days). Seafood (less than 0 for 15 days, it is not recommended to store above 0 °C).
8	Fresh Food	0≤+4	Fresh pork, beef, fish, chicken, cooked food, etc. (Recommended to eat within the same day, preferably no more than 3 days).
9	Wine	+5≤+20	Red wine, white wine, sparkling wine, etc.

## 8. MAINTENANCE AND CLEANING



### CAUTION

Disconnect the appliance from the power supply before conducting routine maintenance. Wait at least 5 minutes before restarting the appliance, as frequent starting may damage the compressor.

Do not use mechanical devices or other means to speed up the defrosting process other than those recommended by the manufacturer.

Do not attempt to repair, disassemble or modify the unit yourself. In case of repair, please contact our service department.

Remove the dust from the back of the appliance at least once a year to prevent fire hazard and increased energy consumption.

Check the door seal regularly to ensure that it is free of debris. Clean the door seal with a soft cloth dampened with soapy water or diluted detergent.

The interior of the product should be cleaned regularly to prevent odours.

Use a soft cloth or sponge to clean the inside of the product with two tablespoons of baking soda and a quart of warm water. Rinse with water and wipe clean.

After cleaning, open the door and allow it to dry naturally before switching on.

For areas of the product that are difficult to clean (such as tight spaces, crevices or corners), it is recommended to regularly wipe with a soft cloth, soft brush, etc.

and, if necessary, combined with some auxiliary tools (such as thin sticks) to ensure that no dirt or bacteria accumulates in these areas.

Wipe the outer surface of the product with a soft cloth dampened with soapy water, detergent, etc. and then wipe dry.

Do not use hard brushes, clean steel balls, wire brushes, abrasives (such as toothpaste), organic solvents (such as alcohol, acetone, isoamyl acetate, etc.), boiling water, acidic or alkaline substances that may damage the surface and interior of the refrigerator. Boiling water and organic solvents such as benzene can deform or damage plastic parts.



During cleaning, do not rinse the appliance directly with water or other liquids to avoid short circuits or damage to electrical insulation.



### ATTENTION

We recommend that you let the appliance run continuously after turning it on. As a general rule, the operation of the appliance should not be interrupted in order not to affect its service life.

## Defrosting

Although this appliance automatically defrosts, a layer of frost may form on the interior walls of the freezer compartment if the freezer door is opened frequently or left open for too long. If the frost becomes too thick, choose a time when the supply of food is low and proceed as follows:

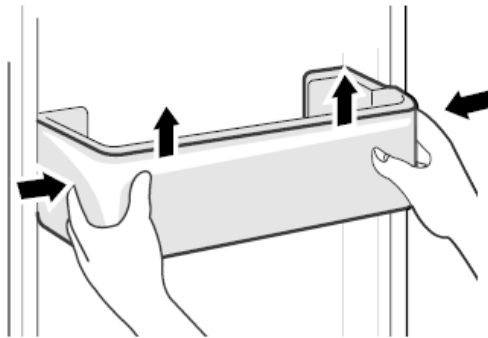
1. Remove any remaining food and accessory baskets, unplug the appliance from the mains power, and leave the doors open. Ventilate the room thoroughly to accelerate the thawing process.
2. When defrosting is complete, clean your freezer as described above.

**Caution!** Do not use sharp objects to remove frost from the freezer. Only switch the appliance back on and plug it into the mains socket after the interior is completely dry.

## Cleaning of door tray

According to the direction arrow in the figure below, use both hands to squeeze the tray, and push it upward, then you can take it out.

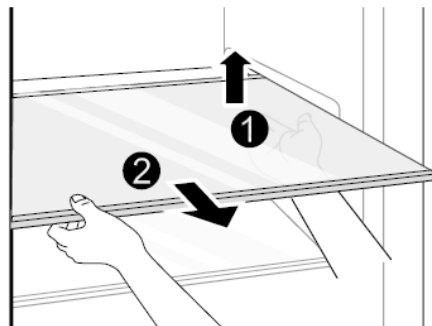
After washing the tray having been taken out, you can adjust its installing height in accordance with your requirement.



## Cleaning of glass shelf

As the innermost part of the refrigerator liner where contacting the shelves has a backstop, you shall raise the shelves upward, then you can be able to take it out.

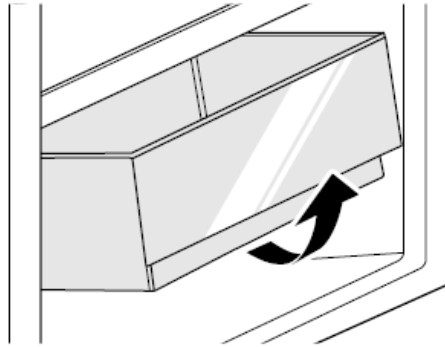
Adjust or clean the shelves according to your requirement.



## Cleaning the vegetable drawer

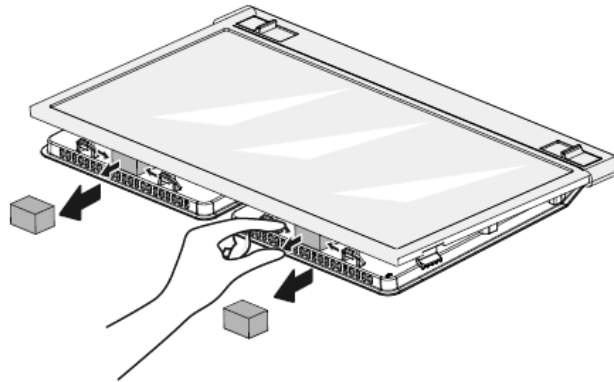
Remove the contents of the drawer. Hold the handle of the vegetable drawer and pull it out completely until it stops.

Lift the vegetable drawer up and remove it by pulling it out.



### How to take out the pearl cotton block inside humidification shelf components

Pearl cotton is used to separate the humidity-conditioning shelf from the moisture-proof cover (to prevent the moisture-proof cover from falling off during transportation). After unpacking, the user needs to remove this pearl cotton from the moisture-retaining shelf assembly. To remove it, grip both sides of the pearl cotton by hand and pull firmly until the pearl cotton is completely detached from the moisture-retaining shelf assembly.



#### ATTENTION

Differences: Due to technical changes and different models, some of the illustrations in this manual may differ from your model.

## 9. TROUBLESHOOTING

The following simple issues can be handled by the user. Please call the after-sale service department if the issues are not solved.

Problem	Possible causes	Solution
The appliance does not operate.	The power supply is not turned on and the plug is not firmly inserted. Low voltage, power failure or part of the circuit tripped.	Insert the power cord plug firmly. Check the power supply at home.
Light not on	The appliance is not powered on. The light is broken.	Unplug and replug the power cord. Replace the light with a new one.
Fruits or vegetables are frozen	Has the food been placed at the back of the fridge? The area near the back wall is where the temperatures are coldest. Fruits or vegetables are stored in the Fresh/Chill zone.	Not placing food which may freeze easily at the back of the fridge compartment. The Fresh/Chill zone is only for meat/fish.
Fridge/freezer is over-cooling	Temperature control is not set correctly.	Set the temperature higher.
Compressor working for a long time	High ambient temperature causing long working time. Putting too much food in at one time. Food is put in before it has cooled down. Opening the door too often. The frost layer inside is too thick.	This is normal. Do not put too much food in at one time. Wait until the food has cooled down before putting it in. Do not open the door too often. Need to defrost.
Door does not close properly	Door is stuck with objects. Too much food in. Door gasket deformed.	Do not put in too much food. Place the appliance stably. Heat the door gasket, then cool it for restoration (with an electrical drier or hot water for heating).
Outer wall is hot	When the appliance is operating, heat is dissipated to the outside through the metal tubes inside the cabinet. Higher ambient temperatures in the summer cause the temperature of the outer wall to rise.	Higher temperature on the outer wall is normal. Increase the heat dissipation space or put the appliance in a ventilated and cool place.
Cross or vertical beams are hot	There are metal tubes inside the beams, and the heat released from the tubes prevents condensation.	This is normal.
Odors	Spoiled food Food with strong odours The interior compartment is dirty.	Clean and remove any spoiled food. Make sure strong-smelling food is wrapped airtight. Clean the interior compartment.

The actual temperature differs from the set temperature	When warm food is put in, the temperature will rise temporarily. After setting a new temperature, it will take some time for the temperature in the compartment to reach the set temperature when the door is not opened. After the temperature stability, the actual temperatures at different locations within the compartment are different, with a deviation of about $\pm 3$ °C.	This is normal. Wait for some time before testing the actual temperature
Condensation forms on the outside	Condensation may form when the humidity in the room is high.	This is normal. Wipe off the condensation using a dry cloth.
Condensation forms inside the fridge and drawers	The fridge maintains a high humidity to keep vegetables and other food items fresh. Humidity is too high in the room and doors have been opened frequently. The door gaskets are not tight.	Wipe off the condensation using a dry cloth. Do not open doors as frequently or do not keep them open too long. Check the door gasket, clean or correct position.
Frost around the vents	Door is not closed properly. The door gaskets are not tight.	Make sure food does not block the door. Check the door gasket, clean or correct position.
Hard to open the door	The difference in air pressure between the inside and outside of the compartment may sometimes make it hard to open the freezer door.	Wait a few moments, and then try to open the door slowly.

During normal use of the device, certain noises may be heard, which do not affect its proper operation. Noises that can easily be prevented:

- Noise caused by the appliance not being level - level the appliance using the adjustable front feet. Alternatively, put soft material protectors under the rear castors, especially when the appliance is placed on tiles.
- The appliance touches neighbouring items of furniture - move the appliance.
- Drawers or shelves creak - remove and replace the drawer or shelf.
- Sound of bottles clinking together - move bottles away from each other.

The sounds you may hear during normal use are mainly caused by the compressor and cooling system running (turning on) (thermal expansion and contraction of the radiator caused by the flow of coolant).

#### **CUSTOMER CARE AND SERVICE**

Always use original spare parts.

When contacting our Authorised Service Centre, ensure that you have the following data available: Model and Serial Number.

The information can be found on the rating plate. Subject to change without notice.

## TECHNICAL DATA

The technical information is located in the rating plate on the internal side of the appliance and on the energy label.

The QR code on the energy label supplied with the appliance provides a web link to the information related to the performance of the appliance in the EU EPREL database.

Keep the energy label for reference together with the user manual and all other documents provided with this appliance.

It is also possible to find the same information in EPREL using the link <https://eprel.ec.europa.eu> and the model name and product number that you find on the rating plate of the appliance.

To access information about your product in the EPREL portal, you can scan the codes below:



Thank you for purchasing this product. If you need support with your product, visit our website using the links below.

**Get User manuals:** <https://www.heinner.ro>

**Get Service information:** <https://www.heinner.ro>



### Environment friendly disposal

You can help protect the environment!

Please remember to respect the local regulations: hand in the non-working electrical equipment's to an appropriate waste disposal centre.



**HEINNER** is a registered trademark of **Network One Distribution SRL**. Other brands and product names are trademarks or registered trademarks of their respective holders.

No part of the specifications may be reproduced in any form or by any means or used to make any derivative such as translation, transformation, or adaptation without permission from NETWORK ONE DISTRIBUTION.

Copyright © 2013 Network One Distribution. All rights reserved.

[www.heinner.com](http://www.heinner.com), <http://www.nod.ro>



This product is in conformity with norms and standards of European Community



Importer: **Network One Distribution**

Marcel Iancu Street, 3-5, Bucharest, Romania

Tel: +40 21 211 18 56, [www.heinner.com](http://www.heinner.com), [www.nod.ro](http://www.nod.ro)

# COMBINĂ FRIGORIFICĂ

Model:

**HCNF-M435INVHXE++**



- Capacitate totală: 435 L
- Clasa de eficiență energetică: E

**HEINNER**

## 1. INTRODUCERE

Vă rugăm să citiți instrucțiunile cu atenție și să păstrați manualul pentru consultări ulterioare. Acest manual are scopul de a vă oferi toate instrucțiunile necesare cu privire la instalarea, utilizarea și întreținerea aparatului. Pentru utilizarea corectă și în siguranță a aparatului, vă rugăm să citiți cu atenție acest manual de instrucțiuni înainte de instalare și utilizare.





## 2. CONȚINUTUL PACHETULUI DUMNEAVOASTRĂ

- ➔ **Combină frigorifică**
- ➔ **Manual de utilizare**
- ➔ **Certificat de garanție**

## 3. AVERTISMENTE PRIVIND SIGURANȚA

Înainte de a porni aparatul pentru prima dată, citiți următoarele indicații privind siguranța! Acest aparat este destinat utilizării în locuințe și alte unități similare, cum ar fi: bucătăriile personalului din magazine, birouri și alte medii profesionale; în gospodării și de către clienții din hoteluri, moteluri și alte medii de tip rezidențial; medii de tipul pensiune cu mic dejun; activități de tip catering și non-retail. Aparatul nu este destinat utilizării de către persoane (inclusiv copii) care au capacități fizice, senzoriale sau mentale reduse, sau cărora le lipsesc experiența și cunoștințele necesare, decât dacă sunt supravegheate sau au fost instruite cu privire la utilizarea aparatului de către o persoană care răspunde pentru siguranța acestora.

### Semnificațiile termenilor/simbolurilor

	<b>PERICOL</b> Acest simbol indică existența unor pericole pentru viața și sănătatea persoanelor din cauza gazului extrem de inflamabil.
	<b>AVERTISMENT</b> Cuvântul de avertizare indică un pericol de nivel mediu care, dacă nu este evitat, poate duce la deces sau vătămări grave.
	<b>ATENȚIE</b> Cuvântul de avertizare indică un pericol de nivel scăzut care, dacă nu este evitat, poate duce la vătămări ușoare sau moderate.
	<b>ATENȚIONARE</b> Cuvântul de avertizare indică informații importante (de exemplu, daune materiale), dar nu pericolul.

**Important:** Acordați o atenție deosebită mesajelor care conțin cuvintele **PERICOL**, **AVERTISMENT** sau **ATENȚIE**. Aceste cuvinte sunt utilizate pentru a vă avertiza cu privire la un potențial pericol care vă poate provoca răni grave dumneavoastră și altor persoane.

Instrucțiunile vă vor indica modul în care puteți reduce riscul de rănire și ce se poate întâmpla în caz de nerespectare a instrucțiunilor.

**Atenționare:** Aceste instrucțiuni de utilizare au caracter general. Aceasta înseamnă că anumite funcții sunt valabile pentru frigiderul/congelatorul dumneavoastră, în timp ce altele nu.

Lucrăm constant în vederea dezvoltării și îmbunătățirii continue a tipurilor și modelelor noastre de aparate. Prin urmare, ne rezervăm dreptul de a face modificări în ceea ce privește designul, echipamentul și accesoriile tuturor tipurilor și modelelor de aparate, fără notificare prealabilă

## Măsurile generale de siguranță



### Pericol de incendiu/materiale inflamabile

Agentul frigorific și agentul de spumare cu ciclopentan utilizate pentru acest aparat sunt inflamabile. Prin urmare, la eliminarea aparatului, asigurați-vă că acesta este ferit de surse de flacără și că acesta este încredințat unei societăți specializate de recuperare a deșeurilor, în vederea unei eliminări care să excludă arderea, pentru prevenirea daunelor aduse mediului înconjurător și a altor pericole.



### AVERTISMENT

- Copiii trebuie supravegheați, astfel încât aceștia să nu se joace cu aparatul.
- Pentru evitarea pericolelor, în cazul în care cablul de alimentare este deteriorat, acesta trebuie înlocuit de către producător, de către agentul său de service sau de persoane cu o calificare similară.
- Nu depozitați în acest aparat produse explozive precum spray-urile cu aerosoli inflamabili.
- După utilizare și înainte de efectuarea operațiilor de întreținere a aparatului, acesta trebuie deconectat de la sursa de alimentare.
- Asigurați-vă că gurile de ventilație ale carcasei aparatului sau ale corpului acestuia nu sunt obturate.
- Utilizați numai dispozitive mecanice sau mijloace de grăbire a procesului de dezghețare recomandate de către producător.
- Nu deteriorați circuitul de refrigerare.
- Nu folosiți aparate electrice în interiorul compartimentelor de depozitare a alimentelor din acest aparat, decât dacă acestea sunt de tipul celor recomandate de către producător.
- Vă rugăm să eliminați aparatul în conformitate cu reglementările locale, deoarece acesta conține gaz izolant sub presiune și agent de refrigerare inflamabil.
- Atunci când poziționați aparatul, asigurați-vă că nu striviți și nu deteriorați cablul de alimentare.
- Nu amplasați în spatele aparatului prize multiple sau surse de alimentare portabile.
- Nu utilizați prelungitoare sau adaptoare (cu doi pini) fără împământare.
- Pentru a evita pericolele generate de instabilitatea aparatului, acesta trebuie fixat în conformitate cu instrucțiunile.
- Frigiderul trebuie deconectat de la sursa de alimentare cu energie electrică înainte de montarea accesoriilor. Acordați atenție poziției cablului de alimentare, pentru a vă asigura că acesta nu este prins sub aparat. Nu călcați pe cablul de alimentare.
- În cazul unui aparat de sine stătător: acest aparat frigorific nu este destinat utilizării ca aparat încorporat.

## Utilizare cotidiană



### ATENȚIE

- Nu trageți de cablul de alimentare atunci când doriți să deconectați aparatul de la sursa de alimentare cu energie. Vă rugăm să apucați ferm ștecărul și să îl scoateți direct din priză.
- Pentru utilizarea în condiții de siguranță, nu deteriorați cablul de alimentare și nu îl utilizați dacă acesta prezintă deteriorări sau dacă este uzat.
- Vă rugăm să folosiți o priză dedicată pentru acest aparat, fără a alimenta de la aceeași priză alte aparate electrice.
- Ștecărul trebuie să fie bine introdus în priză, pentru a se evita riscul de producere a unor incendii.
- Vă rugăm să vă asigurați că electrodul de împământare al prizei este prevăzut cu o linie de împământare corespunzătoare.
- Aparatul nu poate fi alimentat decât de la un circuit electric de curent alternativ monofazat, de 220~240V/50Hz.

- În cazul scăpărilor de gaz sau de alte substanțe gazoase inflamabile, vă rugăm să opriți în primul rând robinetul de gaz și să deschideți ușile și ferestrele.
- Nu deconectați aparatul frigorific sau alte aparate electrice de la sursa de alimentare cu energie electrică, deoarece scânteele pot provoca un incendiu.
- Nu puneți echipamente electrice pe aparat, decât dacă acestea sunt de tipul celor recomandate de către producător.
- Spațiile dintre ușile aparatului și cele dintre uși și carcasa acestuia sunt mici. Pentru a preveni rănirea, nu introduceți degetele în aceste locuri. Vă rugăm să închideți cu grijă ușile aparatului, pentru a evita căderea obiectelor din interiorul acestuia.
- Pentru a evita producerea degerăturilor, nu luați cu mâinile ude alimente sau recipiente (în special recipiente din metal) din compartimentul de congelare în timpul funcționării aparatului.
- Nu permiteți copiilor să intre în frigider sau să se urce pe acesta. Pericol de sufocare sau de rănire prin cădere!
- Nu așezați obiecte grele pe aparat, deoarece acestea pot cădea odată cu deschiderea ușilor și pot provoca leziuni persoanelor care utilizează aparatul.
- Nu introduceți în aparat produse inflamabile, explozive, volatile sau foarte corozive, pentru a preveni deteriorarea aparatului sau producerea incendiilor.
- Pentru evitarea incendiilor, nu așezați obiecte inflamabile lângă aparat.
- Frigiderul este destinat uzului casnic, pentru depozitarea alimentelor; acesta nu trebuie utilizat în alte scopuri, cum ar fi, de exemplu, depozitarea sângelui, a medicamentelor, a produselor biologice etc.
- Nu depozitați în compartimentul de congelare al aparatului bere, băuturi sau alte lichide îmbuteliate, deoarece recipientele închise de pot sparge ca urmare a congelării, provocând deteriorări.



#### AVERTISMENT


**Conform standardului UE:** Aparatul poate fi utilizat de către copii cu vârste începând de la 8 ani și de către persoane cu capacități fizice, senzoriale sau mentale reduse, cu lipsă de experiență sau cunoștințe, numai dacă acestea sunt supravegheate sau instruite în ceea ce privește utilizarea în siguranță a aparatului și dacă înțeleg pericolele pe care le implică utilizarea. Copiii nu au voie să se joace cu aparatul. Curățarea și întreținerea nu trebuie efectuate de către copii nesupravegheați.

Pentru a evita contaminarea alimentelor, respectați instrucțiunile de mai jos.


- Dacă ușa aparatului este lăsată deschisă pe perioade lungi, temperatura din compartimentele aparatului crește semnificativ.
- Curățați periodic suprafețele care pot intra în contact cu alimentele, precum și sistemele de scurgere ale aparatului.
- Păstrați carnea crudă și peștele proaspăt în recipiente corespunzătoare, astfel încât acestea să nu intre în contact cu alte alimente.
- Compartimentele de congelare cu două stele sunt potrivite pentru păstrarea alimentelor precongelate, păstrarea sau prepararea înghețatei sau producerea cuburilor de gheață (Nota 1) (\*).
- Compartimentele cu una, două și trei stele nu sunt potrivite pentru congelarea alimentelor proaspete (Nota 2) (\*).
- În cazul aparatelor fără compartiment cu 4 stele: acest aparat frigorific nu este potrivit pentru congelarea produselor alimentare (Nota 3) (\*).
- Dacă aparatul frigorific este lăsat gol pe perioade lungi, opriți-l, decongelați-l, curățați-l, ștergeți-l bine și lăsați-i ușa deschisă pentru a preveni formarea mușgaiului în interiorul acestuia.

Notele 1, 2, 3: Vă rugăm să verificați disponibilitatea în funcție de tipul de compartiment al produsului dumneavoastră.

(\*): Această caracteristică variază în funcție de modelul achiziționat.

 Simbolul „4 stele”: Congelator la - 18 °C sau o temperatură mai redusă, având capacitatea de a congela rapid o anumită cantitate de alimente.

 Simbolul „3 stele”: Compartiment de congelare la - 18 °C sau o temperatură mai redusă.

 Simbolul „2 stele”: Compartiment de congelare la - 12 °C sau o temperatură mai redusă.

 Simbolul „1 stea”: Compartiment de congelare cu o temperatură țintă și condiții de depozitare de -6 °C.

**ATENȚIE**

Acest produs nu este recomandat pentru utilizarea cu prize sau întrerupător principal cu funcția AFCI / GFCI, deoarece poate provoca declanșări false.

1. Acesta nu poate prezenta un risc în ceea ce privește siguranța atunci când este declanșat.
2. Dacă declanșarea persistă, se recomandă înlocuirea prizelor sau a întrerupătorului principal cu modele care nu sunt prevăzute cu funcția AFCI/GFCI.

**AVERTISMENT**

Risc de blocare a copiilor în interiorul aparatului. Înainte de a arunca vechiul frigider sau congelator:

- Scoateți ușile.
- Lăsați rafturile la locurile lor, astfel încât copiii să nu poată pătrunde cu ușurință în interiorul aparatului.

## Protejarea mediului înconjurător

### Eliminarea într-un mod ecologic a dispozitivelor electrice uzate

Simbolul pubelei barate cu o cruce indică faptul că deșeurile de echipamente electrice și electronice (DEEE) trebuie eliminate separat de fluxul de deșeuri municipale.

Echipamentele electrice uzate pot conține substanțe periculoase; prin urmare, eliminarea corectă a aparatului dumneavoastră uzat va contribui la prevenirea potențialelor consecințe negative pentru mediu și sănătatea umană. Aparatul dumneavoastră uzat poate conține componente reutilizabile care ar putea fi folosite pentru repararea altor produse, precum și materiale valoroase care pot fi reciclate în vederea conservării resurselor limitate.

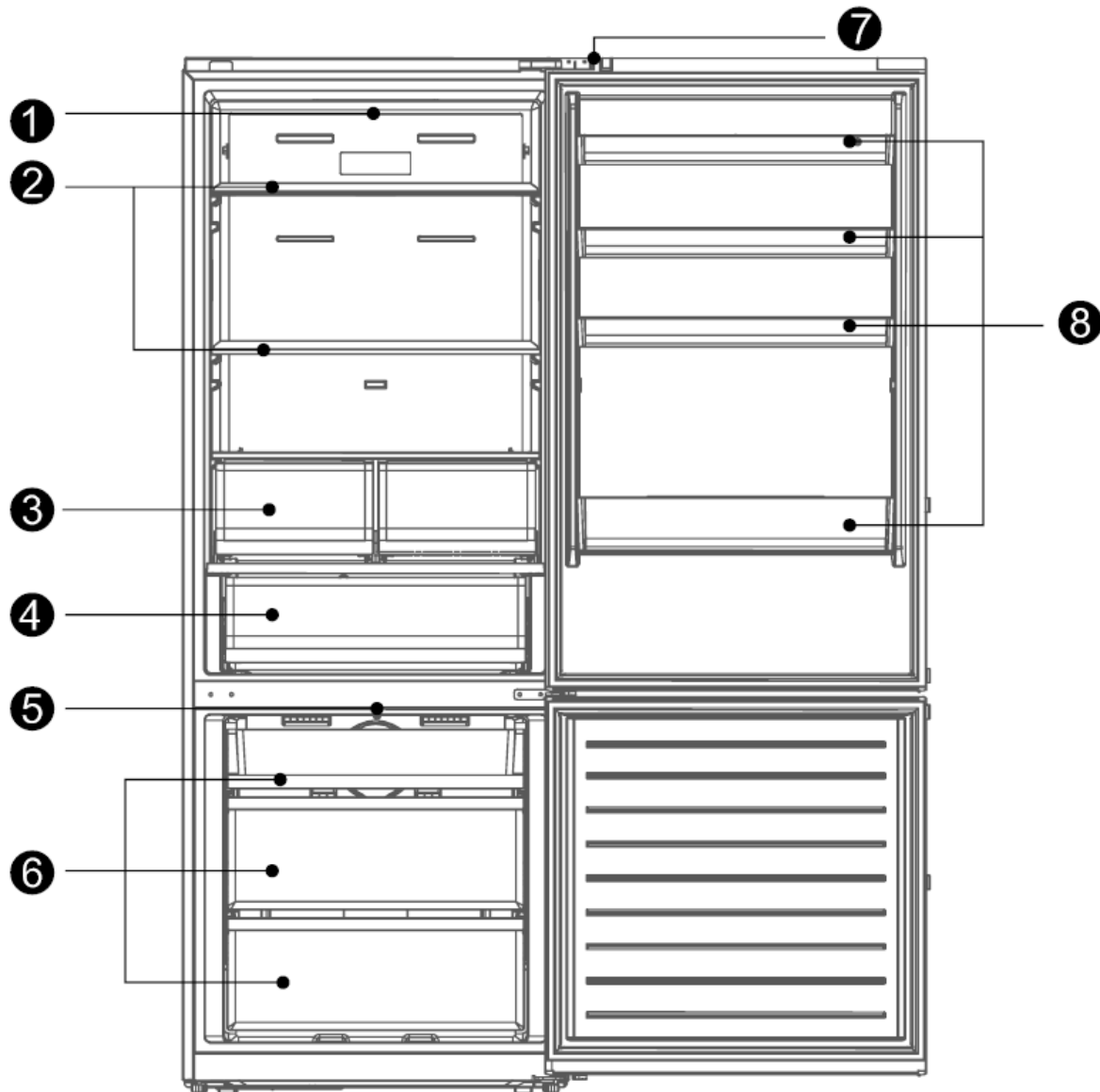


### Informații privind ambalajul

Ambalajele produsului sunt fabricate din materiale reciclabile în conformitate cu reglementările naționale privind protecția mediului înconjurător. Nu eliminați ambalajele împreună cu deșeurile menajere sau cu alte deșeuri. Depuneți-le la punctele de colectare a ambalajelor prevăzute de autoritățile locale.



## 4. DESCRIEREA PRODUSULUI



1. Lampă cu LED	5. Lampă cu LED
2. Rafturi	6. Sertare
3. Sertare pentru legume și fructe	7. Întrerupător magnetic ușă
4. Compartiment pentru răcire intensă	8. Rafturi ușă

Pentru o utilizare cât mai eficientă a energiei, vă rugăm să păstrați toate elementele interioare, cum ar fi tăvile, sertarele, rafturile și cutia pentru cuburi de gheață în poziția indicată de către producătorul aparatului. Acest aparat frigorific trebuie să fie instalat independent și nu poate fi utilizat ca aparat încorporat. În caz contrar, performanța aparatului și durata de exploatare a acestuia sunt reduse, iar producătorul nu asigură garanție.



### ATENȚIONARE

**Diferențe:** Date fiind modificările de ordin tehnic, este posibil ca unele dintre ilustrațiile din acest manual să nu reflecte cu exactitate aspectul produsului propriu-zis.

## 5. INSTRUCȚIUNI DE INSTALARE

### Înainte de prima utilizare

Îndepărtați ambalajele exterioare și interioare, ștergeți bine exteriorul aparatului (cu o lavetă moale și uscată) și interiorul acestuia (cu o cârpă umezită în apă caldă).

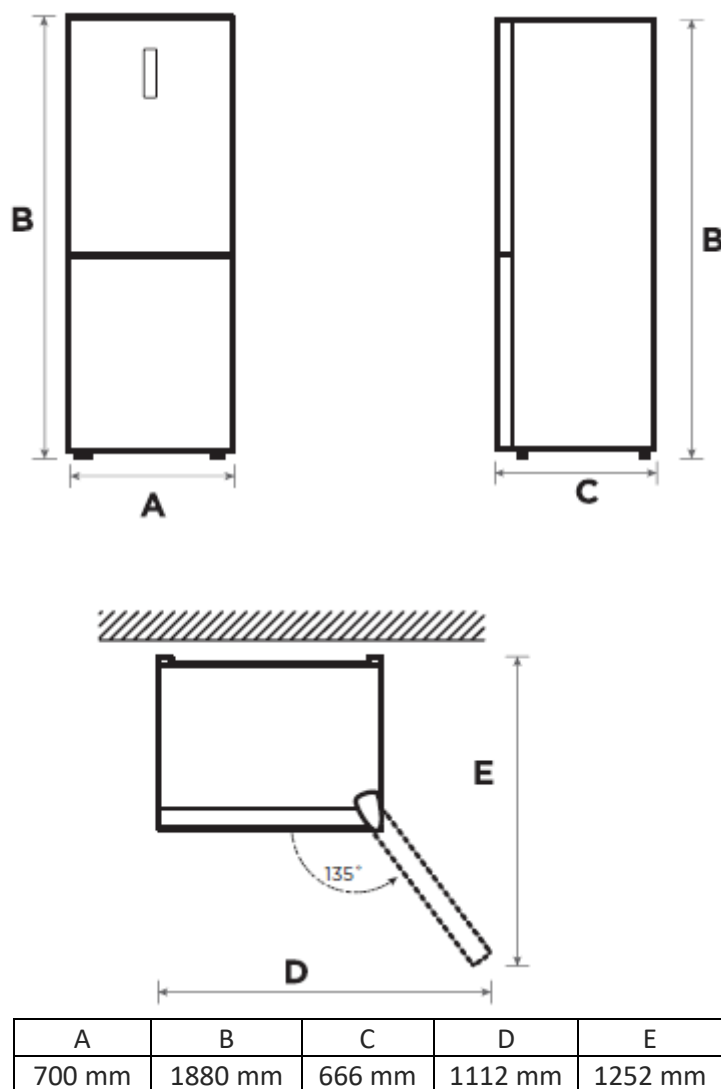
Evitați amplasarea produsului într-o nișă îngustă sau în apropierea unor surse de căldură, sub acțiunea directă a luminii solare sau într-un spațiu cu umiditate ridicată.

Asigurați circulația liberă a aerului în jurul produsului. La instalarea aparatului lăsați un spațiu de cel puțin 10 cm în laterale, 10 cm în partea superioară și 7,5 cm în partea din spate a aparatului.

Înainte de conectarea aparatului la sursa de alimentare cu energie electrică, asigurați-vă că tensiunea de alimentare indicată pe aparat corespunde tensiunii disponibile în locuința dumneavoastră. O tensiune de alimentare diferită ar putea deteriora aparatul.

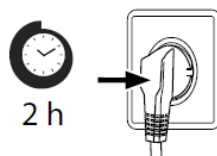
Acest aparat trebuie să fie conectat la împământare. Producătorul nu este responsabil pentru daunele care pot apărea ca urmare a utilizării fără împământare.

### Cerințe privind spațiul



## Conectarea aparatului la sursa de alimentare

După transport, vă rugăm să lăsați aparatul în poziție verticală cel puțin 2 ore înainte de a porni alimentarea. În caz contrar, este posibil să intervină o scădere a capacității de răcire sau chiar deteriorarea aparatului.



Lăsați aparatul să funcționeze timp de 24 de ore fără a introduce alimente în acesta, astfel încât temperatura din interiorul acestuia să scadă până la o valoare corespunzătoare.



### ATENȚIE

Aparatul trebuie să fie întotdeauna conectat la o priză electrică individuală cu o tensiune nominală care să corespundă celei indicate pe plăcuța cu date tehnice.

Atunci când poziționați aparatul, asigurați-vă că nu striviți și nu deteriorați cablul de alimentare.

## Temperatura ambiantă

În funcție de clasa climatică, acest aparat este destinat utilizării în cadrul unui interval de temperatură ambiantă specificat în tabelul de mai jos.

Este posibil ca produsul să nu funcționeze corect la temperaturi care nu se încadrează în intervalul specificat. Puteți identifica clasa climatică pe eticheta produsului.

Clasa climatică	Temperatura ambiantă
SN	de la +10°C la +32°C
N	de la +16°C la +32°C
ST	de la +16°C la +38°C
T	de la +16°C la +43°C

Dacă aveți îndoieli cu privire la instalare, vă rugăm să vă adresați distribuitorului, serviciului nostru de asistență pentru clienți sau celui mai apropiat centru de service autorizat.

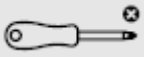
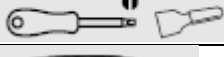
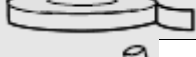



### ATENȚIONARE

Performanțele de răcire și consumul de energie pot fi afectate de temperatura ambiantă, de frecvența deschiderii ușii și de amplasarea aparatului. Vă recomandăm să adaptați setările de temperatură în funcție de situație.

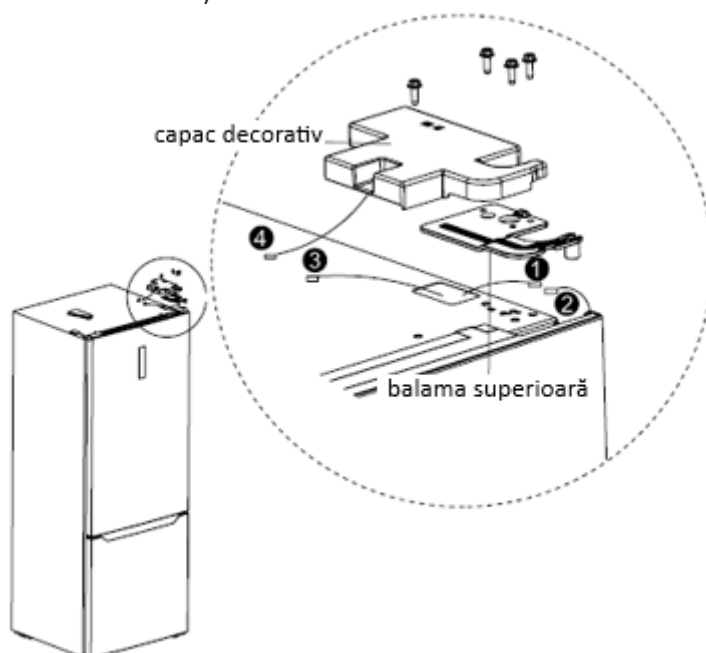
## Inversarea sensului de deschidere a ușilor

Lista elementelor care trebuie furnizate de către utilizator.

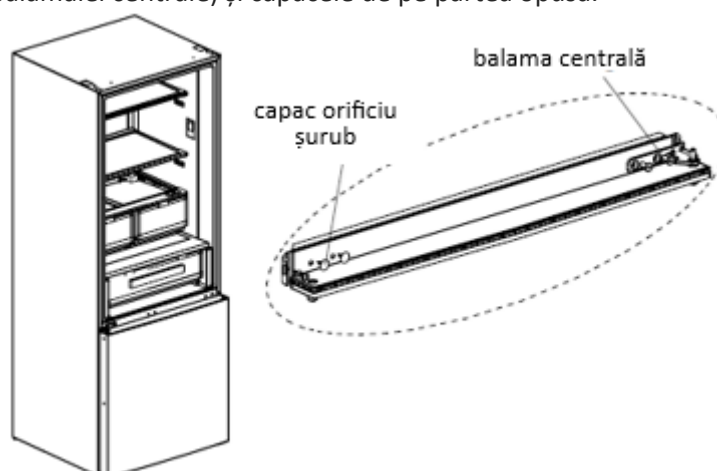
	Șurubelniță în cruce
	Șpaclu/șurubelniță în linie
	Bandă de mascare
	Cheie tubulară de 5/16"

- Vă rugăm să deconectați aparatul de la sursa de alimentare înainte de a efectua această operație. Scoateți toate alimentele de pe rafturile ușii.

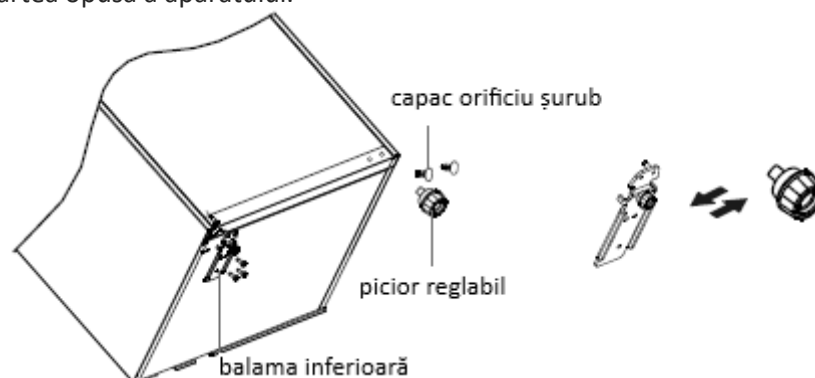
2. Scoateți capacul decorativ, capacul balamalei, balamaua superioară, șuruburile, deconectați cablul de semnal din dreapta sus (bornele 1 și 2 ale cablului de semnal), deconectați cablul de semnal (bornele 3 și 4 ale cablului de semnal).



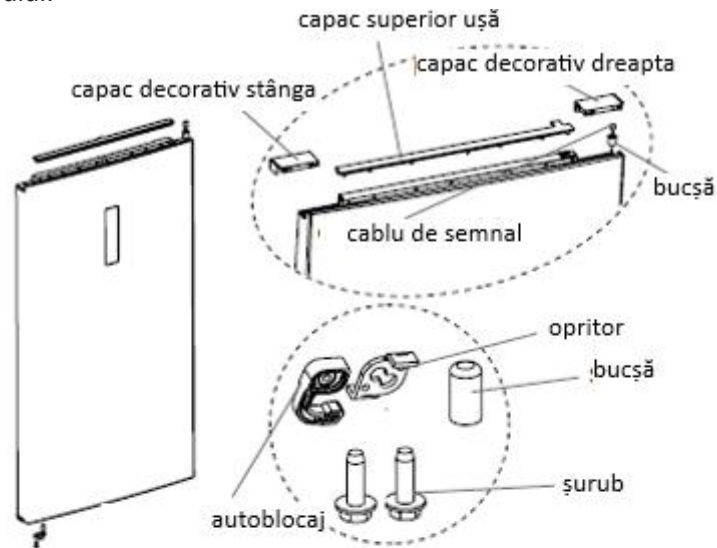
3. Scoateți ușa compartimentului de refrigerare, balamaua centrală (utilizați o cheie hexagonală pentru a desface șurubul balamalei centrale) și capacele de pe partea opusă.



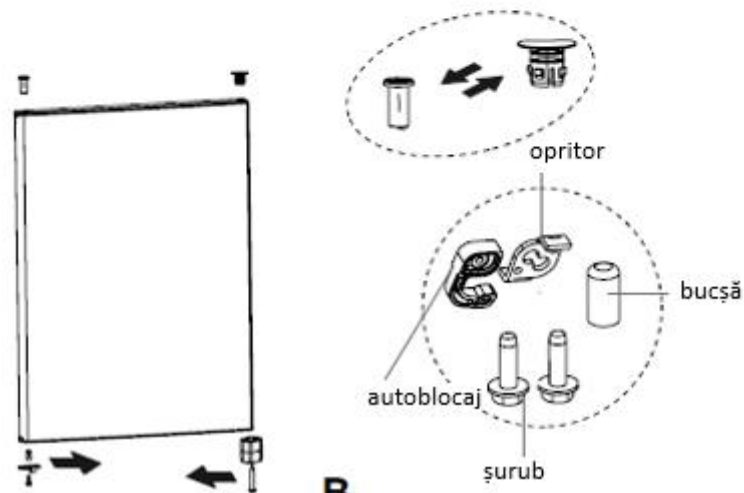
4. Scoateți ușa compartimentului de congelare, demontați balamaua inferioară, capacele și picioarele reglabile. Montați axul balamalei inferioare pe partea opusă a balamalei și montați balamaua inferioară pe partea opusă a aparatului.



5. A. Scoateți capacul superior al ușii compartimentului de refrigerare și capacul decorativ din partea stângă, montați bușa balamalei superioare și cablul de semnal pe partea opusă, apoi montați capacul superior al ușii. Demontați opritorul, autoblocajul și bușa ușii compartimentului de refrigerare. Scoateți din pungă cu accesorii autoblocajul pentru partea stângă a ușii compartimentului de refrigerare și capacul decorativ pentru partea dreaptă, montați bușa, autoblocajul pentru partea stângă și opritorul pe partea inferioară din stânga ușii cu ajutorul șurubului, apoi montați capacul decorativ în partea dreaptă.
- B. Demontați opritorul și bușa din dreapta părții inferioare a ușii compartimentului de congelare, apoi montați bușa, autoblocajul pentru partea stângă și opritorul pe partea inferioară din stânga ușii cu ajutorul șurubului.

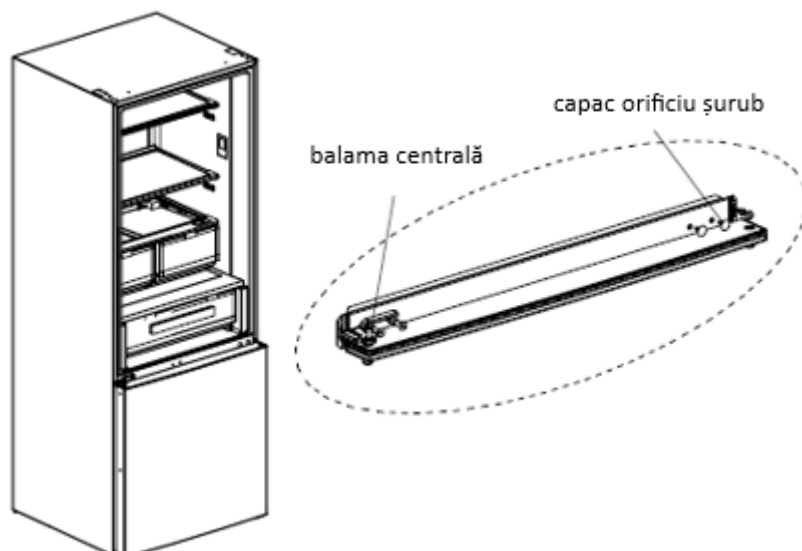


A

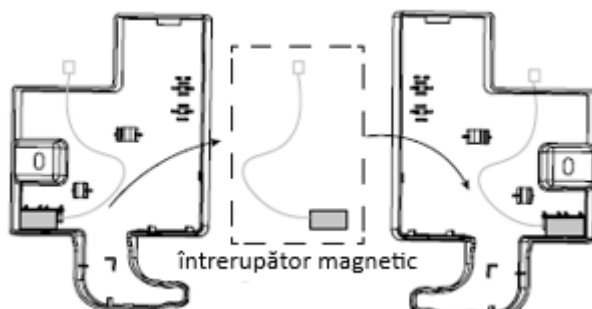


B

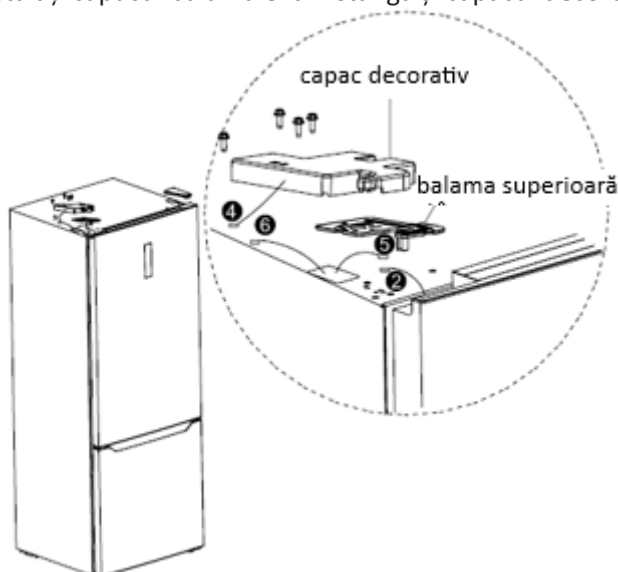
6. Puneți ușa compartimentului de congelare pe balamaua inferioară și montați balamaua centrală și capacele.



7. Scoateți întrerupătorul magnetic de pe capacul balamalei din dreapta și montați-l pe capacul balamalei din stânga.



8. Scoateți din pungă cu accesorii balamaua superioară pentru partea stângă, apoi așezați ușa pe balamaua centrală și instalați balamaua superioară pentru partea stângă; conectați cablul de semnal 5 din partea superioară a frigiderului la cablul de semnal 2 de pe ușă. Conectați cablul de semnal 4 la cablul de semnal 6 și instalați capacul balamalei din stânga și capacul decorativ.





## ATENȚIONARE



**Diferențe:** Date fiind modificările de ordin tehnic, este posibil ca unele dintre ilustrațiile din acest manual să nu reflecte cu exactitate aspectul produsului propriu-zis.

## Picioare reglabile

Pentru evitarea vibrațiilor, aparatul trebuie să fie echilibrat.

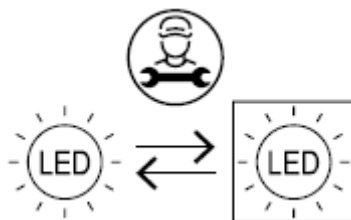
Dacă este necesar, reglați picioarele pentru a compensa denivelările podelei.

Partea din față trebuie să fie la un nivel ușor mai ridicat decât cea din spate, pentru a ajuta la închiderea ușii. Picioarele reglabile pot fi rotite cu ușurință dacă înclinați ușor aparatul.

Rotiți picioarele de nivelare în sensul invers acelor de ceasornic  pentru a ridica unitatea, în sensul acelor de ceasornic  pentru a o coborî.

## Înlocuirea becului lămpii

Înlocuirea și întreținerea lămpilor cu LED trebuie realizate de către producător, agentul său de service sau persoane cu calificări similare.



Acest produs conține o sursă de iluminat din clasa de eficiență energetică F în compartimentul de congelare. Acest produs conține o sursă de iluminat din clasa de eficiență energetică G în compartimentul de refrigerare.

## Deplasarea aparatului

1. Scoateți toate produsele din aparat.
2. Deconectați ștecărul de la sursa de alimentare, apoi prindeți cablul și ștecărul în cârligul special prevăzut în partea posterioară a aparatului.
3. Lipiți cu bandă adezivă componentele cum ar fi rafturile și ușa, pentru a preveni căderea în timpul deplasării aparatului.
4. Deplasați aparatul cu grijă, solicitând altor două persoane să vă ajute. Atunci când transportați aparatul pe o distanță mare, mențineți-l în poziție verticală.

## Sfaturi pentru economisirea energiei

Nu puneți aparatul lângă arzătoare cu gaz, cuptoare electrice sau alte surse de căldură. Dacă temperatura ambiantă este ridicată, compresorul va funcționa mai frecvent și pentru mai mult timp, ceea ce va duce la creșterea consumului de energie.

Asigurați-vă că circulația aerului nu este împiedicată la baza aparatului, în laterale și în partea din spate a acestuia.

Vă rugăm să respectați cerințele privind spațiul din capitolul „Instalare”.

Disponerea sertarelor, rafturilor și tăvilor, așa cum este ilustrată în prezentarea produsului, asigură cea mai eficientă utilizare a energiei și trebuie păstrată pe cât posibil.

Pentru a obține un spațiu de depozitare mai mare (de exemplu, pentru produse refrigerate/congelate mari), este posibilă detașarea sertarelor și rafturilor centrale. Sertarele și rafturile superioare și inferioare trebuie scoase ultimele, dacă este necesar.

Umplerea uniformă a compartimentului de refrigerare/congelare contribuie la utilizarea optimă a energiei.

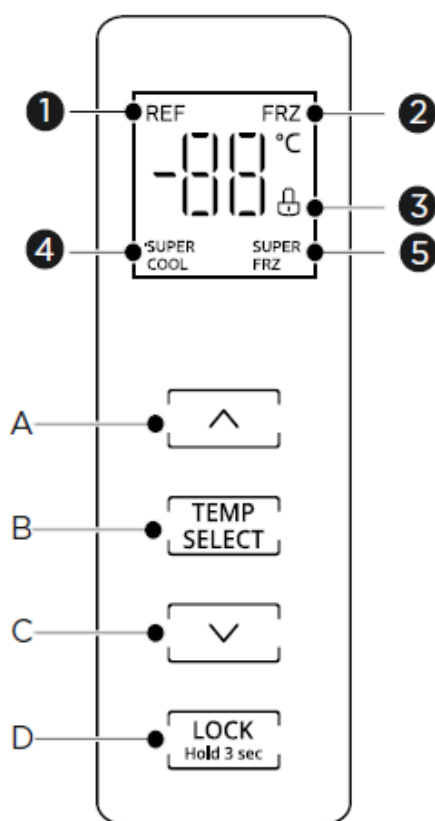
Lăsați alimentele calde să se răcească înainte de a le pune în compartimentul de refrigerare/congelare. Alimentele care s-au răcit deja cresc eficiența energetică.

Lăsați alimentele congelate să se dezghețe în compartimentul de refrigerare. Temperatura scăzută a alimentelor congelate reduce consumul de energie din compartimentul frigorific și crește astfel eficiența energetică.

Țineți ușa deschisă numai atât cât este necesar, pentru a nu permite ieșirea aerului rece din aparat. Deschiderea ușii pentru scurt timp și închiderea corespunzătoare a acesteia reduc consumul de energie.

Reglarea temperaturii la un nivel moderat, evitând răcirea excesivă, contribuie la utilizarea optimă a energiei. Garniturile ușilor aparatului dumneavoastră trebuie să fie intacte, astfel încât ușile să se închidă corect și consumul de energie să nu crească inutil.

## 6. PANOUL DE COMANDĂ



### Afișaj

1. Temperatura compartimentului de refrigerare
2. Temperatura compartimentului de congelare
3. Blocare/Deblocare
4. Funcția „Super Cool”
5. Funcția „Super Freeze”

### Butoane pentru setări

- A. Creștere temperatură
- B. Selectarea compartimentului pentru care se efectuează setarea
- C. Reducere temperatură
- D. Blocare/Deblocare


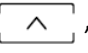



## ATENȚIONARE


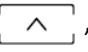

În funcție de modelul achiziționat, panoul de comandă poate fi ușor diferit. Panoul de comandă se va opri automat, pentru economisirea energiei.

## Setarea temperaturii

### Setarea temperaturii compartimentului de refrigerare




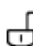
- Apăsați pe butonul „” pentru a modifica temperatura setată a compartimentului de refrigerare, iar pictograma „REF” va fi afișată.
- La fiecare apăsare a butonului „” sau a butonului „”, temperatura setată va crește cu 1 °C sau va scădea cu 1 °C. Setarea temperaturii va fi activă după blocarea panoului de afișare.
- Intervalul de setare a temperaturii din compartimentul de refrigerare este 2 °C ~ 8 °C.
- Apăsați pe butonul de selectare a zonei pentru care se efectuează setarea și selectați compartimentul de refrigerare, apoi apăsați și mențineți apăsat butonul de selectare a zonei pentru care se efectuează setarea până când aparatul emite trei semnale sonore scurte și dezactivează funcția de refrigerare. În acest moment, afișajul digital indică „- -”.
- Atunci când funcția de refrigerare este dezactivată, apăsați pe butonul de selectare a zonei pentru care se efectuează setarea și selectați compartimentul de refrigerare, apoi apăsați și mențineți apăsat butonul de selectare a zonei pentru care se efectuează setarea până când aparatul emite trei semnale sonore scurte și activează funcția de refrigerare. Afișajul digital revine la indicarea normală a temperaturii, iar temperatura implicită pentru compartimentul de refrigerare este setată la 5 °C, fiind activat modul normal de funcționare.

### Setarea temperaturii compartimentului de congelare



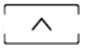
- Apăsați pe butonul „” pentru a modifica temperatura setată a compartimentului de congelare, iar pictograma „FRZ” va fi afișată.
- La fiecare apăsare a butonului „” sau a butonului „”, temperatura setată va crește cu 1 °C sau va scădea cu 1 °C. Setarea temperaturii va fi activă după blocarea panoului de afișare.
- Intervalul de setare a temperaturii din compartimentul de congelare este -24 °C ~ -16 °C.

## Funcții



### Blocare /Deblocare

Atunci când panoul de comandă este deblocat, apăsați și mențineți apăsat butonul „” timp de 3 secunde pentru activarea funcției de blocare „”. Atunci când panoul de comandă este blocat, apăsați și mențineți apăsat butonul „” timp de 3 secunde pentru deblocare „”. Toate funcțiile de mai jos pot fi utilizate numai atunci când panoul de comandă este deblocat.

### Funcția „Super Cool”

- Când temperatura compartimentului de refrigerare este setată la 2 °C, apăsați pe butonul de reducere a temperaturii „” pentru a activa funcția „Super Cool”. Pictograma „” se aprinde, iar funcția „Super Cool” este activată după blocarea panoului de comandă.
- Funcția „Super Cool” va fi dezactivată automat după 6 ore sau prin apăsarea butonului de creștere a temperaturii „”.

### Funcția „Super Freeze”

- Când temperatura compartimentului de congelare este setată la -24 °C, apăsați pe butonul de reducere a temperaturii „” pentru a activa funcția „Super Freeze”. Pictograma „<sup>SUPER</sup>FRZ.” se aprinde, iar funcția „Super Freeze” este activată după blocarea panoului de comandă.
- Funcția „Super Freeze” va fi dezactivată automat după 40 ore sau prin apăsarea butonului de creștere a temperaturii „”.
- Se recomandă activarea funcției „Super Freeze” cu 12 ore înainte de a pune o cantitate mare de alimente congelate în compartimentul de congelare.

**Notă:** Funcția de congelare rapidă este concepută pentru a păstra valoarea nutritivă a alimentelor din congelator. Aceasta permite congelarea alimentelor într-un timp foarte scurt. Dacă doriți congelarea unei cantități mari de alimente, se recomandă activarea funcției de congelare rapidă și introducerea alimentelor în compartiment. Astfel, viteza de congelare a compartimentului este crescută, ceea ce permite congelarea rapidă a alimentelor, păstrarea eficientă a valorii nutritive și înlesnirea depozitării.

### Funcția de avertizare privind deschiderea ușii

Dacă ușa rămâne deschisă mai mult de 120 de secunde, aparatul emite două semnale sonore de avertizare, iar apoi câte un semnal sonor de avertizare la fiecare minut. Apăsați scurt pe orice buton pentru a opri avertizarea. Această funcție de avertizare nu poate fi anulată, așa că vă rugăm să închideți ușa cât mai curând posibil.

## Cod defecțiune

Următoarele avertismente care apar pe afișaj indică defecțiunile aparatului. Chiar dacă aparatul răcește în cazul producerii unei defecțiuni, utilizatorul trebuie să contacteze un tehnician calificat, pentru a asigura funcționarea optimă a aparatului.

Cod defecțiune	Descrierea defecțiunii
E1	Defecțiune la nivelul senzorului de temperatură al compartimentului de refrigerare
E2	Defecțiune la nivelul senzorului de temperatură al compartimentului de congelare
E3	Defecțiune la nivelul senzorului de temperatură al compartimentului de răcire intensă
E5	Defecțiune la nivelul senzorului de dezghețare al congelatorului
E6	Eroare de comunicare între placa principală de comandă și placa de afișare
E7	Defecțiune la nivelul senzorului de temperatură ambiantă

## 7. DEPOZITAREA ALIMENTELOR

### Compartimentul de congelare

Compartimentul de congelare este destinat congelării la temperaturi scăzute a alimentelor, depozitării pe termen lung a alimentelor congelate și producerii de cuburi de gheață.

Acordați atenție clasificării în funcție de stele (4 stele, 2 stele și 1 stea) din compartimentul de congelare și perioadelor de depozitare rezultate pentru alimentele congelate.

Nu puneți alimente proaspete lângă alimente congelate, deoarece alimentele congelate se pot dezgheța.

Atunci când congelați cantități mari de alimente proaspete (cum ar fi carne, pește sau carne tocată), vă rugăm să le împărțiți în mai multe bucăți mici înainte de a le introduce în aparat, astfel încât acestea să poată fi congelate rapid și să poată fi luate cu ușurință din aparat.

Respectați termenele de păstrare specificate pe ambalajele produselor. În cazul în care nu sunt disponibile informații pe ambalaj, alimentele nu trebuie păstrate congelate mai mult de trei luni de la data achiziționării. Atunci când cumpărați alimente congelate, asigurați-vă că acestea au fost congelate la o temperatură corespunzătoare și că ambalajul nu este deteriorat.

Produsele destinate păstrării prin congelare ar trebui să fie împachetate separat, pentru a preveni contaminarea încrucișată. Consumați imediat alimentele care au fost decongelate; nu le recongelați.

În eventualitatea unei întreruperi prelungite a alimentării cu energie electrică sau a unei defecțiuni a aparatului, scoateți din aparat produsele congelate. Evaluați starea acestora, pentru a determina dacă sunt încă adecvate pentru consum, apoi transferați-le într-un loc suficient de rece sau într-un alt aparat frigorific. Pentru a decongela alimentele, scoateți-le din compartimentul de congelare și lăsați-le să se dezghețe la temperatura camerei sau în compartimentul de refrigerare. Pentru a decongela rapid alimentele, puteți utiliza funcția de dezghețare a cuptorului cu microunde.

Dacă doriți să dezghețați doar o parte dintr-un pachet congelat, scoateți doar partea de care aveți nevoie și închideți imediat restul pachetului. În acest fel, veți evita formarea de gheață pe alimentele rămase.

## Compartimentul de refrigerare

Pentru a diminua nivelul de umiditate și a preveni formarea ulterioară a gheții, se recomandă să nu introduceți în compartimentul de refrigerare lichide în recipiente deschise sau neetanșe.

Gheața tinde să se acumuleze în cele mai reci zone ale evaporatorului. Depozitarea lichidelor în recipiente deschise sau neacoperite face ca decongelarea să fie necesară mai frecvent.

Nu puneți niciodată alimente calde în compartimentul de refrigerare. Acestea trebuie mai întâi lăsate să se răcească la temperatura camerei, apoi puse în aparat, astfel încât să asigure o circulație adecvată a aerului în compartimentul de refrigerare.

Alimentele sau recipientele pentru alimente nu trebuie să atingă peretele posterior din interiorul frigiderului, deoarece acestea pot îngheța pe perete. Evitați deschiderea frecventă a ușii aparatului.

Carnea și peștele (ambalate într-un ambalaj sau într-o folie de plastic) pot fi depozitate în compartimentul de refrigerare, putând fi păstrate 1-2 zile.

Fructele și legumele fără ambalaj pot fi depozitate în partea destinată fructelor și legumelor proaspete.

## Compartiment Chiller (pentru răcire intensă)

Potrivit pentru depozitarea pe termen scurt (1-3 zile) a peștelui proaspăt, cărnii proaspete, alimentelor proaspete etc.

Este posibil ca alimentele să înghețe în cazul amplasării acestora în partea posterioară sau în partea inferioară a sertarului; prin urmare, nu puneți în acele zone alimente a căror înghețare nu este permisă.



### ATENȚIONARE

Supraîncărcarea aparatului cu alimente în timpul funcționării după prima conectare la sursa de alimentare poate afecta performanțele de congelare ale aparatului.

## Recomandări privind duratele de depozitare

După conectarea aparatului la sursa de alimentare cu energie electrică, așteptați 2-3 ore înainte de a pune alimente în aparat. Dacă puneți alimentele înainte ca aparatul să se răcească, există riscul ca acestea să se altereze.

Observație: Depozitarea prelungită sau depozitarea la o temperatură de congelare necorespunzătoare poate duce la scăderea calității alimentelor și chiar la alterarea acestora, existând riscul de toxinfecții alimentare în cazul consumului. În majoritatea cazurilor, temperatura minimă trebuie să fie de -18 °C sau mai redusă.

Nr. de ordine	Tipul compartimentului	Temperatură de depozitare recomandată [°C]	Alimente
1	Refrigerare	+2≤+6	Ouăle, alimentele găsite, alimentele ambalate, fructele și legumele, lactatele, prăjiturile și băuturile nu sunt potrivite pentru congelare.
2	(***)*-Congelare	≤-18	Fructele de mare (peștele, creveții, crustaceele), produsele acvatice și cele din carne sunt potrivite pentru congelare (se recomandă depozitarea acestora timp de 3 luni; cu cât durata de depozitare este mai mare, cu atât gustul și proprietățile nutritive se pierd).
3	***-Congelare	≤-18	Fructele de mare (peștele, creveții, crustaceele), produsele acvatice și cele din carne nu sunt potrivite pentru congelare (se recomandă depozitarea acestora timp de 3 luni; cu cât durata de depozitare este mai mare, cu atât gustul și proprietățile nutritive se pierd).
4	**.- Congelare	≤-12	Fructele de mare (peștele, creveții, crustaceele), produsele acvatice și cele din carne nu sunt potrivite pentru congelare (se recomandă depozitarea acestora timp de 2 luni; cu cât durata de depozitare este mai mare, cu atât gustul și proprietățile nutritive se pierd).
5	*-Congelare	≤-6	Fructele de mare (peștele, creveții, crustaceele), produsele acvatice și cele din carne nu sunt potrivite pentru congelare (se recomandă depozitarea acestora timp de 1 lună; cu cât durata de depozitare este mai mare, cu atât gustul și proprietățile nutritive se pierd).
6	Fără stele	-6≤0	Carne proaspătă de porc, vită și pui, pește proaspăt, anumite alimente prelucrate și ambalate etc. (se recomandă să fie consumate în aceeași zi, de preferință în termen de cel mult 3 zile) Alimente prelucrate, ambalate parțial (alimente necongelabile)
7	Răcire	-2≤+3	Carne proaspătă/congelată de porc, vită și pui, produse acvatice etc. (aceste alimente pot fi păstrate cel mult 7 zile la temperaturi sub 0 °C; în cazul păstrării la temperaturi care depășesc 0 °C, se recomandă să fie consumate în aceeași zi, de preferință în termen de cel mult 2 zile) Fructe de mare (aceste alimente pot fi păstrate cel mult 15 zile la temperaturi sub 0 °C; nu se recomandă păstrarea acestora la temperaturi care depășesc 0 °C)
8	Alimente proaspete	0≤+4	Carne proaspătă de porc, vită și pui, mâncare gătită etc. (se recomandă să fie consumate în aceeași zi, de preferință în termen de cel mult 3 zile)
9	Vin	+5≤+20	vin roșu, vin alb, vin spumant etc.

## 8. CURĂȚARE ȘI ÎNTREȚINERE



### ATENȚIE

Deconectați aparatul de la sursa de alimentare cu energie electrică înainte de efectuarea oricăror lucrări de întreținere asupra acestuia. Așteptați cel puțin 5 minute înainte de a reporni aparatul, deoarece pornirea frecventă poate duce la deteriorarea compresorului.

Utilizați numai dispozitive mecanice sau mijloace de grăbire a procesului de dezghețare recomandate de către producător.

Nu încercați să reparați, să dezasamblați sau să modificați aparatul fără ajutorul unui specialist calificat. Pentru reparații, vă rugăm să contactați serviciul de asistență pentru clienți.

Eliminați praful de pe partea posterioară a aparatului cel puțin o dată pe an, pentru a evita pericolul de incendiu, precum și consumul crescut de energie.

Verificați periodic garniturile ușilor, pentru a vă asigura că acestea sunt curate. Curățați garniturile ușilor cu o cârpă moale umezită în apă cu săpun sau în detergent diluat.

Interiorul aparatului trebuie curățat cu regularitate, pentru a se evita formarea mirosurilor neplăcute.

Utilizați o cârpă moale sau un burete pentru a curăța interiorul produsului cu o soluție formată din două linguri de bicarbonat de sodiu și un litru de apă caldă. Apoi clătiți-l cu apă și ștergeți-l.

După curățare, deschideți ușa și lăsați interiorul aparatului să se usuce natural înainte de a porni alimentarea. Se recomandă ca zonele dificil de curățat din interiorul aparatului (cum ar fi zonele înguste sau colțurile) să fie șterse periodic cu o cârpă moale/un burete și, dacă este necesar, să fie utilizate accesorii de curățat sub formă de bețișoare subțiri, pentru a evita acumularea de impurități sau bacterii în aceste zone.

Ștergeți suprafața exterioară a aparatului cu o cârpă moale, umezită în apă cu săpun sau detergent, apoi ștergeți-o cu o cârpă moale și uscată.

Nu utilizați perii dure, bureți din oțel, perii de sârmă, substanțe abrazive precum paste de dinți, solvenți organici (alcool, acetonă, acetat de amil etc.), apă clocotită, substanțe acide sau alcaline, deoarece acestea pot deteriora suprafețele exterioare și interioare ale aparatului. Apa fierbinte și solvenții organici precum benzenul pot deforma sau deteriora componentele din plastic.



În timpul curățării, nu clătiți aparatul direct cu apă sau cu alte lichide, pentru a evita scurtcircuitele sau deteriorarea izolației electrice.



### ATENȚIONARE

Vă recomandăm să lăsați aparatul să funcționeze continuu după pornirea acestuia. Ca regulă generală, funcționarea aparatului nu trebuie întreruptă, pentru a nu fi afectată durata de exploatare a acestuia.

## Dezghețarea

Chiar dacă acest aparat se dezgheață automat, formarea unui strat de gheață pe pereții interiori ai compartimentului de congelare este posibilă în cazul în care ușa este deschisă în mod frecvent sau este lăsată deschisă prea mult timp. În cazul în care stratul de gheață este prea gros, alegeți un moment în care aparatul nu este plin cu alimente și procedați după cum urmează:

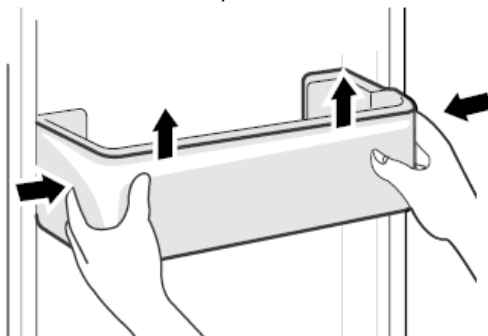
1. Scoateți alimentele și accesorii, deconectați aparatul de la sursa de alimentare și lăsați ușile deschise. Aerisiți bine camera pentru a accelera procesul de dezghețare.

2. După finalizarea procesului de dezghețare, curățați compartimentul de congelare așa cum este descris mai sus.

**Atenție!** Nu folosiți obiecte ascuțite pentru a îndepărta gheața din compartimentul de congelare. Aparatul trebuie reconectat la sursa de alimentare și repornit numai după ce interiorul acestuia este complet uscat.

### Curățarea rafturilor de pe uși

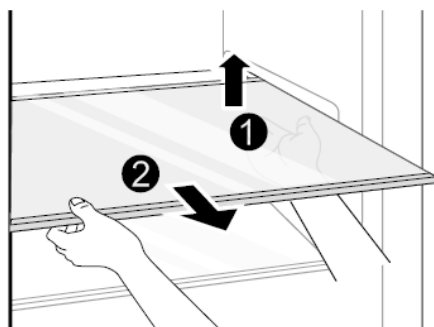
Conform direcțiilor arătate de săgeți, strângeți raftul cu ambele mâni și împingeți-l în sus, apoi îl puteți scoate. După spălarea raftului, acesta poate fi montat la înălțimea dorită.



### Curățarea rafturilor din sticlă

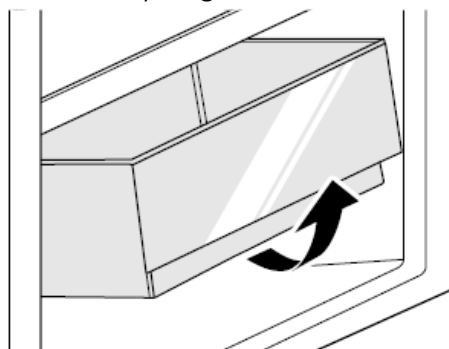
Deoarece rafturile sunt fixate de peretele posterior din interiorul frigiderului, este mai întâi necesar să le ridicați pentru a de desprinde.

Curățați rafturile și poziționați-le la înălțimea dorită.



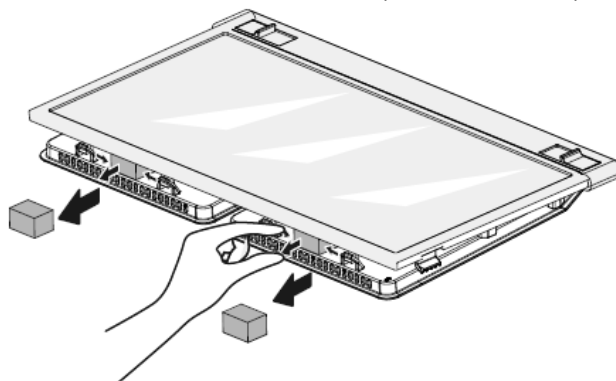
### Curățarea sertarului pentru legume

Scoateți produsele din sertar. Prindeți sertarul de mâner și trageți-l către exterior până la oprirea acestuia. Scoateți sertarul pentru legume prin ridicarea și tragerea acestuia către exterior.



## Îndepărtarea elementelor de bumbac perlat din interiorul componentelor raftului de reținere a umidității

Elementele din bumbac perlat sunt utilizate pentru a separa raftul de reținere a umidității de capacul impermeabil (pentru a preveni desprinderea capacului impermeabil în timpul transportului). După despachetarea produsului, utilizatorul trebuie să îndeparteze aceste elemente din raftului de reținere a umidității. Modalitatea de îndepartare: apucați cu mâinile ambele elemente și trageți cu putere până când acestea sunt complet desprinse din ansamblul raftului de reținere a umidității.



### ATENȚIONARE

Diferențe: Date fiind modificările de ordin tehnic, este posibil ca unele dintre ilustrațiile din acest manual să nu reflecte cu exactitate aspectul produsului propriu-zis.

## 9. DEPANARE

Următoarele probleme simple pot fi soluționate de către utilizator. În cazul în care problemele nu pot fi soluționate, vă rugăm să contactați serviciul de asistență post-vânzare.

Problemă	Cauze posibile	Soluție
Aparatul nu funcționează.	Sursa de alimentare nu este pornită sau ștecărul nu este introdus corespunzător în priză. Tensiune scăzută, întrerupere a furnizării de energie electrică sau activarea dispozitivului de protecție a circuitului.	Conectați corespunzător ștecărul. Verificați sursa de alimentare disponibilă în locul de utilizare.
Lumina nu se aprinde.	Aparatul nu este pornit. Lampa este defectă.	Deconectați ștecărul de la sursa de alimentare, apoi reconectați-l. Înlocuiți becul lămpii.
Fruitele sau legumele sunt congelate.	Alimentele au fost așezate în partea posterioară a interiorului aparatului? Zona din partea posterioară a interiorului aparatului este cea care prezintă cele mai reduse valori de temperatură. Fruitele sau legumele sunt depozitate în zona „Fresh/Chill”.	Nu puneți în partea posterioară din interiorul compartimentului de refrigerare alimente care pot îngheța ușor. Zona „Fresh/Chill” este numai pentru carne/pește.
Compartimentul de refrigerare/compartimentul de congelare răcește excesiv.	Butonul de reglare a temperaturii nu este în poziția corespunzătoare.	Setați temperatura la un nivel superior.

Compresorul funcționează pentru o perioadă îndelungată.	Temperatura ambiantă ridicată determină o de funcționare îndelungată. Ați introdus prea multe alimente în aparat. Alimentele au fost introduse în aparat înainte de a se răci la temperatura camerei. Ușa a fost deschisă prea des. Stratul de gheață din interiorul aparatului este prea gros.	Acest lucru este normal. Nu introduceți prea multe alimente în aparat. Înainte de a introduce alimentele în aparat, lăsați-le să se răcească. Nu deschideți foarte des ușa aparatului. Este necesară decongelarea.
Ușa nu se închide corespunzător.	Ușa este blocată de obiecte. Ați pus prea multe alimente în aparat. Garnitura ușii este deformată.	Nu puneți prea multe alimente în aparat. Puneți aparatul într-o poziție stabilă. Încălziți garnitura, apoi răciți-o (încălziți-o cu un uscător electric sau cu apă fierbinte).
Peretele exterior este fierbinte.	Atunci când aparatul funcționează, căldura este disipată spre exterior prin tuburile metalice din interiorul aparatului. Temperaturile ambiante mai ridicate din timpul verii determină creșterea temperaturii peretelui exterior.	Temperatura mai ridicată la nivelul peretelui exterior este normală. Măriți spațiul necesar disipării căldurii sau puneți aparatul într-un loc ventilat și răcoros.
Elementele structurale transversale sau verticale sunt fierbinți.	Sunt prezente tuburi metalice în interiorul elementelor structurale, iar căldura degajată de tuburi previne condensarea.	Acest lucru este normal.
Mirosuri neplăcute.	Alimente alterate. Alimente cu mirosuri puternice. Interiorul aparatului este murdar.	Curățați zona și îndepărtați alimentele alterate. Asigurați-vă că alimentele cu miros puternic sunt ambalate ermetic. Curățați interiorul aparatului.
Temperatura reală diferă de temperatura setată.	Atunci când se introduc alimente calde, temperatura va crește temporar. După setarea unei temperaturi noi, va dura ceva timp până când temperatura din compartiment va ajunge la valoarea setată atunci când ușa nu este deschisă. După stabilizarea temperaturii, valorile reale ale temperaturii din diferite zone ale aparatului sunt diferite, cu o abatere de aproximativ $\pm 3$ °C.	Acest lucru este normal. Așteptați ceva timp înainte de a testa temperatura reală.
Se formează condens la exterior.	Condensul se poate forma atunci când umiditatea din încăperea este ridicată.	Acest lucru este normal. Îndepărtați condensul cu o lavetă uscată.

Se formează condens în interiorul frigiderului și al sertarelor.	Frigiderul menține o umiditate ridicată pentru a păstra legumele și alte produse alimentare proaspete. Umiditatea este prea mare în cameră, iar ușile au fost deschise frecvent. Garnitura ușii nu etanșează corespunzător.	Îndepărtați condensul cu o lavetă uscată. Nu deschideți ușile frecvent și nu le lăsați deschise prea mult timp. Verificați garnitura ușii, curățați-o sau poziționați-o corect.
Se formează gheață în jurul gurilor de ventilație.	Ușa nu este închisă bine. Garnitura ușii nu etanșează corespunzător.	Asigurați-vă că alimentele nu blochează ușa. Verificați garnitura ușii, curățați-o sau poziționați-o corect.
Ușa se deschide cu dificultate.	Din cauza diferenței de presiune a aerului dintre interiorul și exteriorul aparatului, deschiderea ușii congelatorului se poate face uneori cu dificultate.	Așteptați câteva momente, apoi încercați să deschideți ușa încet.

În timpul utilizării normale a aparatului, se pot auzi anumite zgomote, care nu afectează funcționarea corectă a acestuia.

Zgomote care pot fi prevenite cu ușurință:

- Zgomot cauzat de faptul că aparatul nu este echilibrat - echilibrați aparatul cu ajutorul picioarelor frontale reglabile. Alternativ, puneți protecții din material moale sub rolele din spate, în special atunci când aparatul este amplasat pe gresie.
- Aparatul atinge articole de mobilier învecinate - deplasați aparatul.
- Sertarele sau rafturile scârțâie - scoateți și puneți la loc sertarul sau raftul.
- Sunete de sticle care se ciocnesc - îndepărtați sticlele unele de celelalte.

Sunetele pe care le puteți auzi în timpul utilizării normale sunt cauzate în principal de funcționarea (pornirea) compresorului și sistemului de răcire (dilatarea și contracția termică a radiatorului cauzate de curgerea agentului de răcire).

### SERVICE ȘI ASISTENȚĂ PENTRU CLIEȚI

Utilizați numai piese de schimb originale.

Când contactați centrul nostru de service autorizat, asigurați-vă că aveți la îndemână următoarele informații: Denumirea modelului și numărul de serie.

Informațiile pot fi găsite pe plăcuța cu date tehnice. Acestea pot suferi modificări fără o notificare prealabilă.

### DATE TEHNICE

Informațiile tehnice se află pe plăcuța cu date tehnice din interiorul aparatului și pe eticheta energetică.

Codul QR de pe eticheta energetică furnizată împreună cu aparatul oferă un link web către informațiile din baza de date EPREL cu privire la performanțele aparatului.

Păstrați eticheta energetică pentru consultări ulterioare, împreună cu manualul de utilizare și cu toate celelalte documente furnizate împreună cu acest aparat.

De asemenea, puteți găsi aceleași informații în baza de date EPREL, folosind link-ul <https://eprel.ec.europa.eu> și denumirea modelului și numărul de serie al produsului, pe care le găsiți pe plăcuța cu date tehnice a aparatului.

Pentru a accesa informații despre produsul dumneavoastră în portalul EPREL, puteți scana codurile de mai jos:



Vă mulțumim pentru achiziționarea acestui produs! Dacă aveți nevoie de asistență în ceea ce privește produsul dumneavoastră, vizitați site-ul nostru web utilizând linkurile de mai jos.

**Obțineți manuale de utilizare:** <https://www.heinner.ro>

**Obțineți informații privind reparațiile:** <https://www.heinner.ro>



#### Eliminarea deșeurilor în mod responsabil față de mediu

Puteți ajuta la protejarea mediului!

Va rugăm să respectați reglementările locale, prin predarea echipamentelor electrice nefuncționale unui centru de colectare a echipamentelor electrice uzate.



**HEINNER** este marcă înregistrată a companiei **Network One Distribution SRL**. Celelalte branduri și denumirile produselor sunt mărci de comerț sau mărci de comerț înregistrate ale respectivilor deținători.

Nicio parte a specificațiilor nu poate fi reprodusă sub nicio formă și prin niciun mijloc, nici utilizată pentru obținerea unor derivate precum traduceri, transformări sau adaptări, fără consimțământul prealabil al companiei NETWORK ONE DISTRIBUTION.

Copyright © 2013 Network One Distribution. Toate drepturile rezervate.

[www.heinner.com](http://www.heinner.com), <http://www.nod.ro>



Acest produs este proiectat și realizat în conformitate cu standardele și normele Comunității Europene.



Importator: **Network One Distribution**

Str. Marcel Iancu, nr. 3-5, București, România

Tel: +40 21 211 18 56, [www.heinner.com](http://www.heinner.com), [www.nod.ro](http://www.nod.ro)

# КОМБИНИРАН ХЛАДИЛНИК

Модел

**HCNF-M435INVHXE++**



- Общ капацитет: 435 L
- Енергиен клас: E

**HEINNER**

## 1. ВЪВЕДЕНИЕ

Моля, прочетете внимателно инструкциите и запазете ръководството за бъдеща информация. Това ръководство е предназначено да даде всички необходими инструкции относно монтажа, използването и поддръжката на устройството. За да работите с устройството правилно и безопасно, моля, прочетете внимателно това ръководство преди монтажа и използването му.


## 2. СЪДЪРЖАНИЕ НА ВАШИЯ ПАКЕТ

- ➔ Комбиниран хладилник
- ➔ Ръководство за потребителя
- ➔ Гаранционен сертификат

## 3. ПРЕДУПРЕЖДЕНИЯ ЗА БЕЗОПАСНОСТ

Преди да включите уреда за първи път, моля, прочетете следните инструкции за безопасност! Този уред е предназначен за употреба в домашни условия и подобни приложения, като кухни за персонала в магазини, офиси и други работни помещения; ферми и от клиенти в хотели, мотели и други жилищни помещения; помещения за нощувки и закуски; кетъринг и подобни приложения, които не са предназначени за търговия на дребно. Този уред не е предназначен за използване от лица (включително деца) с намалени физически, сетивни или умствени способности или с недостатъчен опит и познания, освен ако не са получили надзор или инструкции за използването на уреда от лице, отговорно за тяхната безопасност.

### Обяснение на термини/символи

	<b>ОПАСНОСТ</b> Този символ указва, че съществува опасност за живота и здравето на хората поради наличието на изключително запалим газ.
	<b>ПРЕДУПРЕЖДЕНИЕ</b> Сигналната дума указва средна опасност, която, ако не бъде избегната, може да доведе до смърт или сериозно нараняване.
	<b>ВНИМАНИЕ</b> Сигналната дума указва ниско ниво на риск, който, ако не бъде избегнат, може да доведе до леки или умерени наранявания.
	<b>ВНИМАНИЕ</b> Сигналната дума указва важна информация (напр. материални щети), но не и опасност.

**Важно:** Обръщайте специално внимание на съобщенията, които съдържат думите **DANGER (Опасност)**, **WARNING (Предупреждение)** или **CAUTION (Внимание)**. Тези думи се използват, за да ви предупредят за потенциална опасност, която може сериозно да нарани вас и други хора.

В инструкциите ще ви бъде описано как да намалите вероятността от нараняване и ще ви бъде съобщено какво може да се случи, ако инструкциите не бъдат спазени.

**Внимание:** Тези инструкции за работа са общи. Това означава, че някои функции се отнасят за вашия хладилник/фризер, а други не.

Непрекъснато работим върху по-нататъшното развитие и усъвършенстване на нашите видове и модели уреди. Поради това си запазваме правото да правим промени в дизайна, оборудването и аксесоарите на всички типове и модели без предварително уведомление.

## Обща безопасност



### Риск от пожар/запалими материали

Хладилният агент и циклопентановата пяна, използвани в уреда, са запалими. Поради това, когато уредът се бракува, той трябва да се съхранява далеч от всякакви източници на огън и да се оползотворява от специализирана фирма за оползотворяване с подходяща квалификация, а не да се изхвърля чрез изгаряне, за да се предотврати увреждане на околната среда или други вреди.



### ПРЕДУПРЕЖДЕНИЕ

- Децата трябва да бъдат наблюдавани, за да се гарантира, че няма да си играят с уреда.
- Ако хранващият кабел е повреден, той трябва да бъде заменен от производителя, неговия сервизен представител или от лица с подобна квалификация, за да се избегне опасност.
- Не съхранявайте в този уред взривоопасни вещества, като например аерозолни флакони със запалим пропелент.
- Уредът трябва да бъде изключен от електрическата мрежа след употреба и преди извършване на потребителска поддръжка на уреда.
- Поддържайте вентилационните отвори в корпуса на уреда или вградената конструкция свободни от препятствия.
- Не използвайте механични устройства или други средства за ускоряване на процеса на размразяване, различни от препоръчаните от производителя.
- Не повреждайте кръга на хладилния агент.
- Не използвайте електрически уреди в отделенията за съхранение на храна на уреда, освен ако те не са от типа, препоръчан от производителя.
- Моля, изоставете хладилника в съответствие с местните регулатори, тъй като той използва възпламеним газ и хладилен агент.
- Когато поставяте уреда, внимавайте хранващият кабел да не бъде захванат или повреден.
- Не разполагайте множество преносими контакти или преносими източници на хранване в задната част на уреда.
- Не използвайте удължители или незаземени (двущифтови) адаптери.
- За да се избегне опасност от нестабилност на уреда, той трябва да се закрепва в съответствие с инструкциите.
- Хладилникът трябва да бъде изключен от източника на електрическо хранване, преди да предприемете монтаж на аксесоара. Уверете се, че хранващият кабел не е захванат от хладилника. Не стъпвайте върху хранващия кабел.
- За свободностоящ уред: този хладилен уред не е предназначен за използване като уред за вграждане.

## Ежедневна употреба



### ВНИМАНИЕ

- Не дърпайте хранващия кабел, когато издърпвате щепсела на хладилника. Хванете здраво щепсела и го издърпайте директно от контакта.
- За да осигурите безопасна употреба, не повреждайте хранващия кабел и не използвайте хранващия кабел, когато е повреден или износен.

- Моля, използвайте специален електрически контакт, който не трябва да се използва съвместно с други електрически уреди.
- Щепселът трябва да е здраво допрян до контакта, в противен случай може да се предизвика пожар.
- Уверете се, че заземителният електрод на контакта е оборудван с надеждна заземителна линия.
- Хладилникът се използва само при захранване с еднофазен променлив ток 220~240V/50Hz.
- Моля, изключете вентила на изтичащия газ и след това отворете вратите и прозорците в случай на изтичане на газ и други запалими газове.
- Не изключвайте хладилника и други електрически уреди от електрическата мрежа, тъй като искрата може да предизвика пожар.
- Не използвайте електрически уреди в горната част на уреда, освен ако не са от типа, препоръчан от производителя.
- Пролуките между вратите на хладилника и между вратите и корпуса на хладилника са малки, не поставяйте ръката си в тези области, за да не си стиснете пръста. Моля, бъдете внимателни, когато затваряте вратата на хладилника, за да избегнете падане на предмети.
- Не вземайте храни или контейнери с мокри ръце в камерата за замразяване, когато хладилникът работи, особено метални контейнери, за да избегнете измръзване.
- Не позволявайте на деца да влизат в хладилника или да се катерят по него; в противен случай може да се стигне до задушаване или нараняване на детето при падане.
- Не поставяйте тежки предмети в горната част на хладилника, тъй като при затваряне или отваряне на вратата те могат да паднат и да се причинят случайни наранявания.
- Не поставяйте запалими, експлозивни, летливи и силно корозивни предмети в хладилника, за да предотвратите повреди на продукта или инциденти с пожар.
- Не поставяйте запалими предмети в близост до хладилника, за да избегнете пожар.
- Хладилникът е предназначен за домашна употреба, например за съхранение на храни; той не трябва да се използва за други цели, например за съхранение на кръв, лекарства или биологични продукти и др.
- Не съхранявайте бира, напитки или други течности, съдържащи се в бутилки или затворени контейнери, във фризерната камера на хладилника; в противен случай бутилките или затворените контейнери могат да се напукат поради замръзване и да причинят повреди.



### ПРЕДУПРЕЖДЕНИЕ

**За стандарта на ЕС:** Този уред може да се използва от деца на възраст от 8 години и повече и от лица с намалени физически, сетивни или умствени способности или с липса на опит и познания, ако са получили надзор или инструкции относно използването на уреда по безопасен начин и разбират съществуващите опасности. Децата не трябва да си играят с уреда. Децата не трябва да извършват почистване и поддръжка без надзор.

За да избегнете замърсяване на храната, спазвайте следните инструкции:


- Отварянето на вратата за продължителни периоди от време може да доведе до значително повишаване на температурата в отделенията на уреда.
- Почиствайте редовно повърхностите, които могат да влязат в контакт с храна, и достъпните дренажни системи.
- Съхранявайте суровото месо и риба в подходящи съдове в хладилника, така че да не влизат в контакт с други храни или да не капят върху тях.
- Двухвездните отделения за замразени храни са подходящи за съхранение на предварително замразени храни, съхранение или приготвяне на сладолед и приготвяне на кубчета лед (Забележка 1) (\*).
- Отделението с 1 звезда, 2 звезди и 3 звезди не е подходящо за замразяване на пресни храни (Забележка 2) (\*).


- За уреди без отделение с 4 звезди: този хладилен уред не е подходящ за замразяване на хранителни продукти (Забележка 3) (\*).
- Ако хладилният уред е оставен празен за по-дълъг период от време, изключете го, размразете го, почистете го, подсушете го и оставете вратата отворена, за да предотвратите появата на мухъл в уреда.

Забележка 1, 2, 3: Моля, проверете дали е приложимо според типа на отделението на вашия продукт. (\*): Тази функция варира в зависимост от закупения модел.

 Символ "4 звезди": има възможност за бързо замразяване на определено количество храна.

 Символ "3 звезди": Фризерното отделение е с температура -18 °C или по-ниска.

 Символ "2 звезди": Фризерното отделение е с температура -12 °C или по-ниска.

 Символ "1 звезда": фризерно отделение с целева температура и условия на съхранение -6 °C.



### ВНИМАНИЕ

Този продукт не се препоръчва за използване с контакти или главен ключ с функция AFCI/ GFCI, в противен случай може да предизвика фалшиво задействане.

1. Възможно е да не представлява риск за безопасността при спъване.
2. Ако сработването продължава, се препоръчва да се заменят контактите или главният ключ с модели, които не са оборудвани с AFCI/GFCI.



### ПРЕДУПРЕЖДЕНИЕ

Риск от заклещване на дете. Преди да изхвърлите стария си хладилник или фризер:

- Свалете вратите.
- Оставете рафтовете на място, така че децата да не могат лесно да се покатерят вътре.

## Опазване на околната среда

### Изхвърляне на стари електрически устройства по екологичен начин

Този символ на зачеркнат контейнер с колелца показва, че отпадъците от електрически и електронни продукти (ОЕЕО) трябва да се изхвърлят отделно от потока на битовите отпадъци.

Старите електрически продукти могат да съдържат опасни вещества, така че правилното изхвърляне на стария ви уред ще помогне да се предотвратят потенциални отрицателни последици за околната среда и човешкото здраве. Старият ви електроуред може да съдържа части за многократна употреба, които могат да се използват за ремонт на други продукти, както и други ценни материали, които могат да се рециклират, за да се запазят ограничените ресурси.

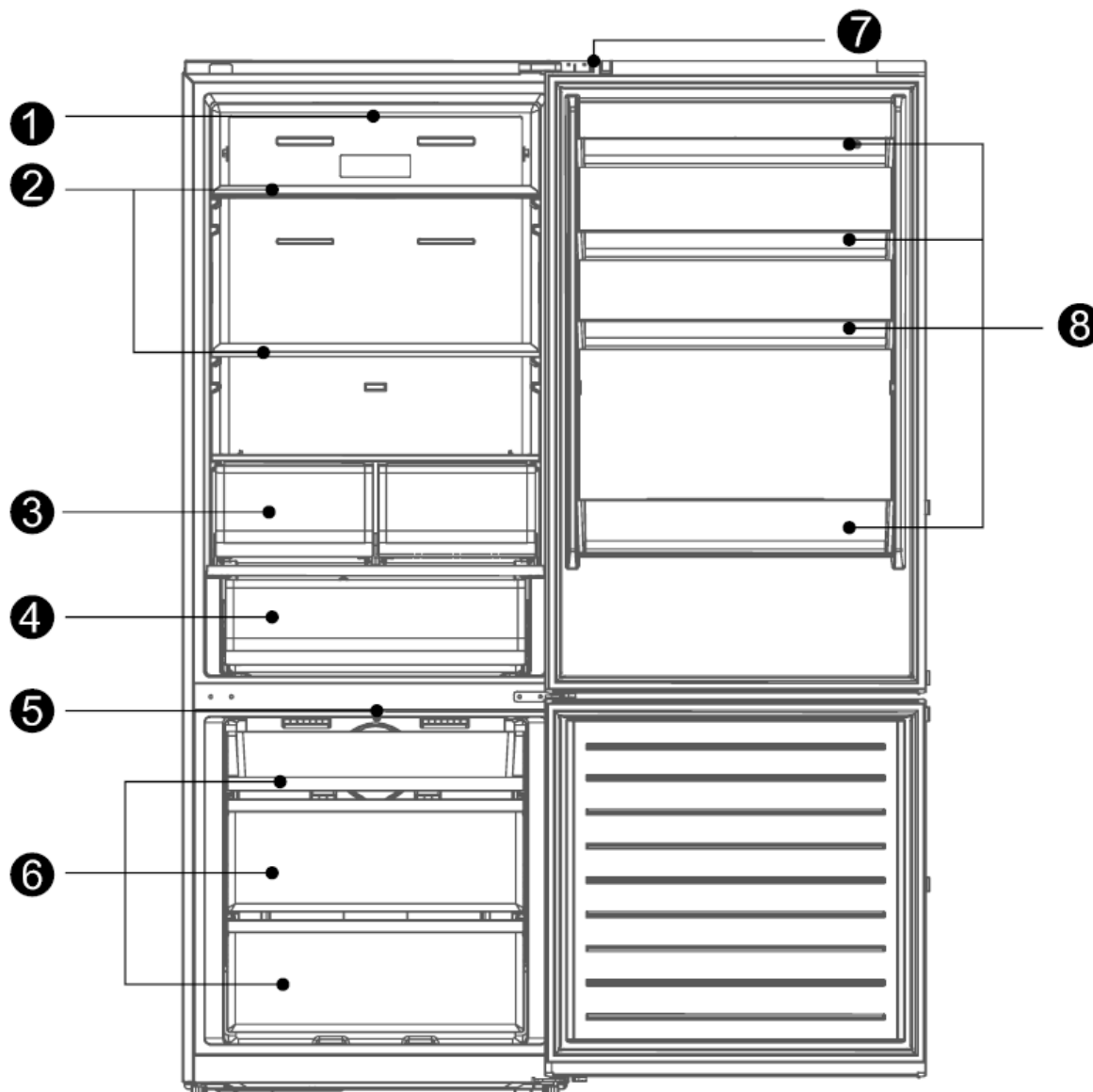


### Информация за пакета

Опаковъчните материали на продукта са произведени от рециклируеми материали в съответствие с националните ни разпоредби за опазване на околната среда. Не изхвърляйте опаковъчните материали заедно с битови или други отпадъци. Занесете ги в пунктовете за събиране на опаковъчни материали, определени от местните власти.



## 4. ОПИСАНИЕ НА ПРОДУКТА



1. LED светлина	5. LED светлина
2. Рафтове	6. Чекмеджета
3. Чекмеджета с чекмеджета	7. Магнитен превключвател на вратата
4. Отделение за охлаждане	8. Рафтове на вратите

За най-ефективно използване на енергията, моля, дръжте всички вътрешни елементи, като тави, чекмеджета, рафтове и тава за кубчета лед, в позицията, посочена от производителя.

Този хладилен уред трябва да се монтира самостоятелно и не може да се използва като уред за вграждане. В противен случай производителността и експлоатационният живот на уреда ще бъдат намалени и производителят не предоставя гаранция.



## ВНИМАНИЕ

**Разлики:** Поради технически промени някои от илюстрациите в това ръководство може да не отразяват точно външния вид на действителния продукт.

## 5. ИНСТРУКЦИИ ЗА ИНСТАЛИРАНЕ

### Преди първата употреба

Отстранете външната и вътрешната опаковка, избършете добре външната част с мека суха кърпа, а вътрешната - с влажна, хладка кърпа.

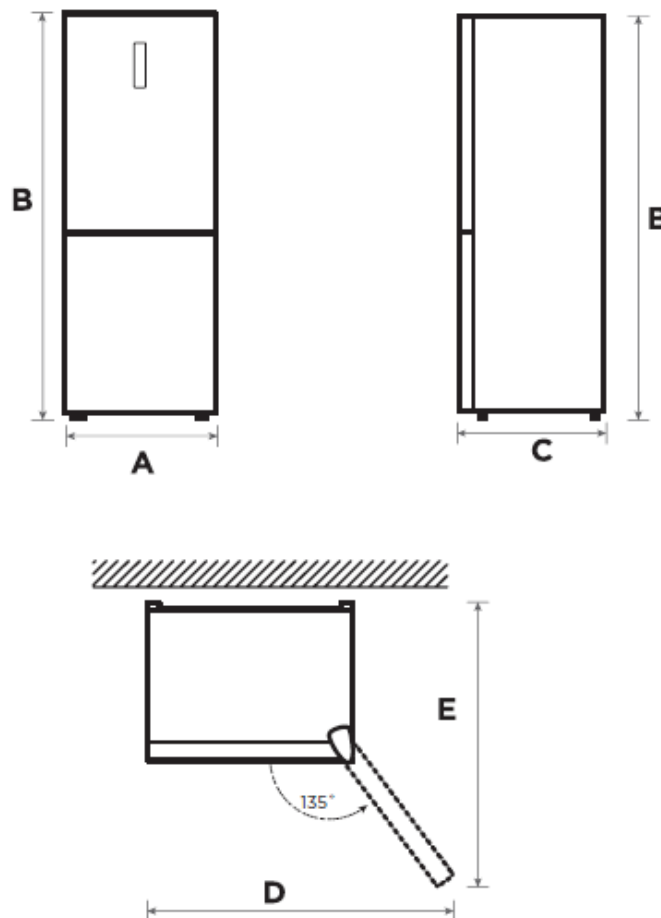
Избягвайте да поставяте шкафа в тясна ниша или в близост до източник на топлина, пряка слънчева светлина или влага.

Поддържайте свободна циркулация на въздуха около шкафа. Когато инсталирате устройството, осигурете 10 см свободно пространство от двете страни, 10 см в горната част на устройството и не повече от 7,5 см в задната част на устройството.

Преди да свържете хладилника към електрическата мрежа, проверете дали напрежението, посочено на етикета на уреда, съответства на напрежението в дома ви. Различното напрежение може да повреди уреда.

Уредът трябва да е заземен. Производителят не носи отговорност за повреди, които могат да възникнат в резултат на използване без заземяване.

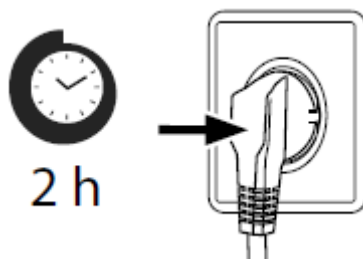
### Изискване за пространство



A	B	C	D	E
700 мм	1880 мм	666 мм	1112 мм	1252 мм

## Свързване на уреда

След като инсталирате продукта, моля, оставете го да престои повече от 2 часа, преди да включите захранването, в противен случай това ще доведе до намаляване на капацитета на охлаждане или до повреда на продукта.



Оставете уреда да работи празен в продължение на 24 часа, за да може отделението да се охлади до подходящата температура.



### ВНИМАНИЕ

Хладилникът винаги трябва да се включва към отделен електрически контакт с номинално напрежение, съответстващо на табелката с номиналното напрежение.

Когато поставяте уреда, внимавайте захранващият кабел да не бъде захванат или повреден.

## Температура на околната среда

В зависимост от климатичния клас този хладилник е предназначен за използване при температурен диапазон на околната среда, както е посочено в следната таблица.

Продуктът може да не работи правилно при температури извън определения диапазон.

Климатичният клас е посочен на етикета на продукта.

Климатичен клас	Температура на околната среда
SN	+10 °C до +32 °C
N	+16 °C до +32 °C
ST	+16 °C до +38 °C
T	+16 °C до +43 °C

Ако имате някакви съмнения относно монтажа, обърнете се към продавача, към нашата служба за обслужване на клиенти или към най-близкия оторизиран сервизен център.

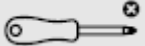


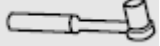


### ВНИМАНИЕ

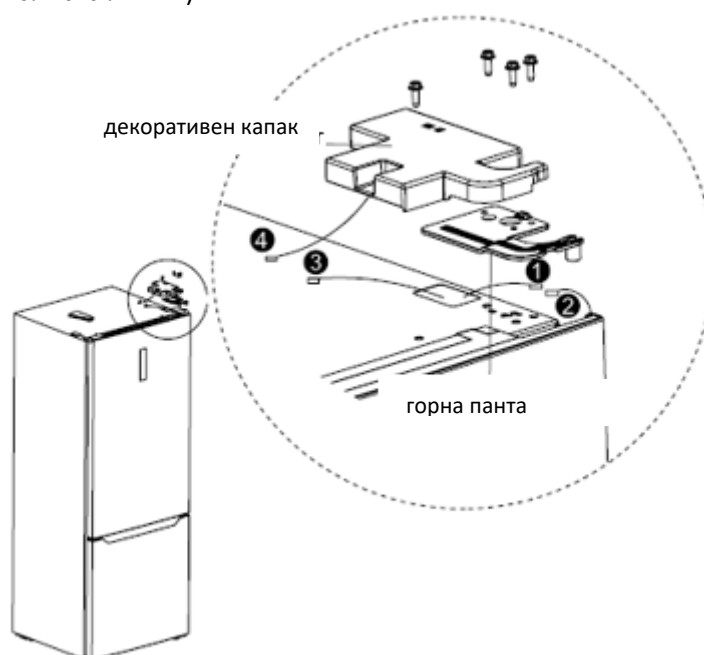
Ефективността на охлаждане и консумацията на енергия на хладилника могат да бъдат повлияни от температурата на околната среда, честотата на отваряне на вратата и местоположението на хладилника. Препоръчваме ви да регулирате настройките на температурата по подходящ начин.

## Възможност за обръщане на вратата

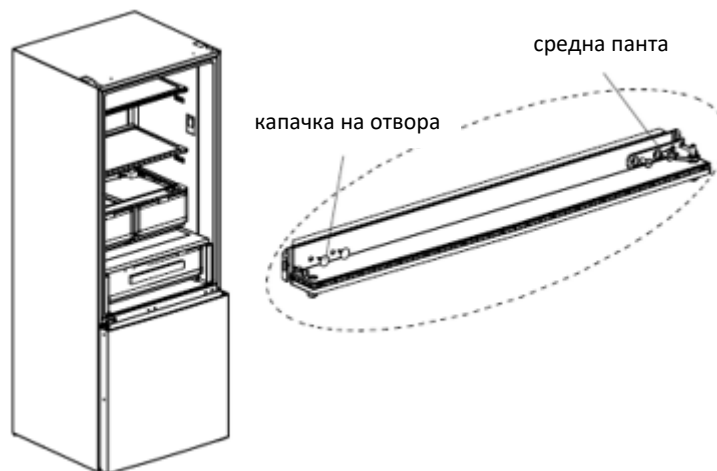
Списък на инструментите, които трябва да бъдат предоставени от потребителя:

	Кръстосана отвертка
	Нож за шпакловка/отвертка с тънко острие
	Маскираща лента
	Гаечен ключ 5/16"

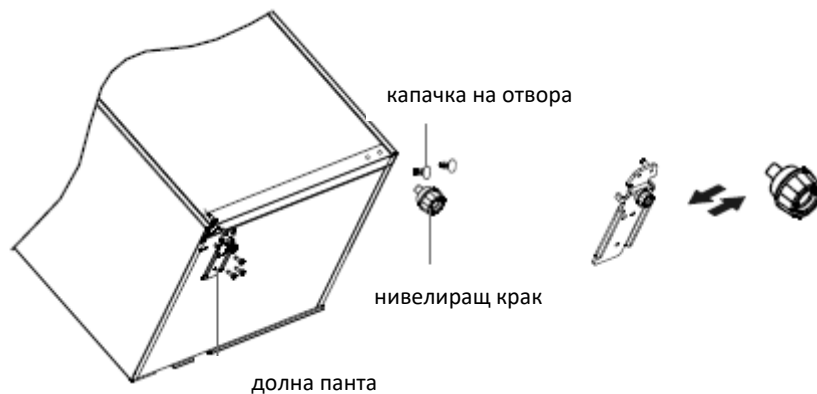
1. Моля, изключете уреда, преди да извършите тази операция. Извадете всички хранителни продукти от рафтовете на вратата.
2. Свалете декоративния капак, капака на пантата, горната панта и винтовете. Прекъснете връзката с горната дясна сигнална линия (клеми 1 и 2 на сигналната линия) и сигналната линия (клеми 3 и 4 на сигналната линия).



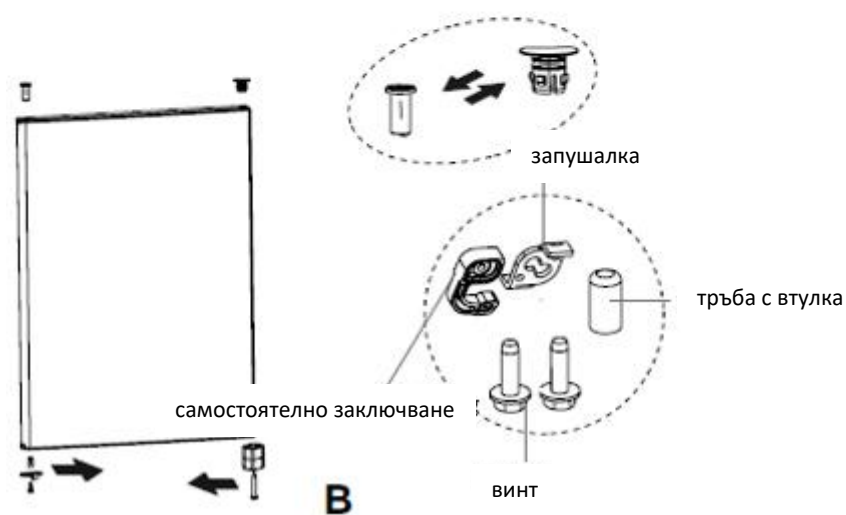
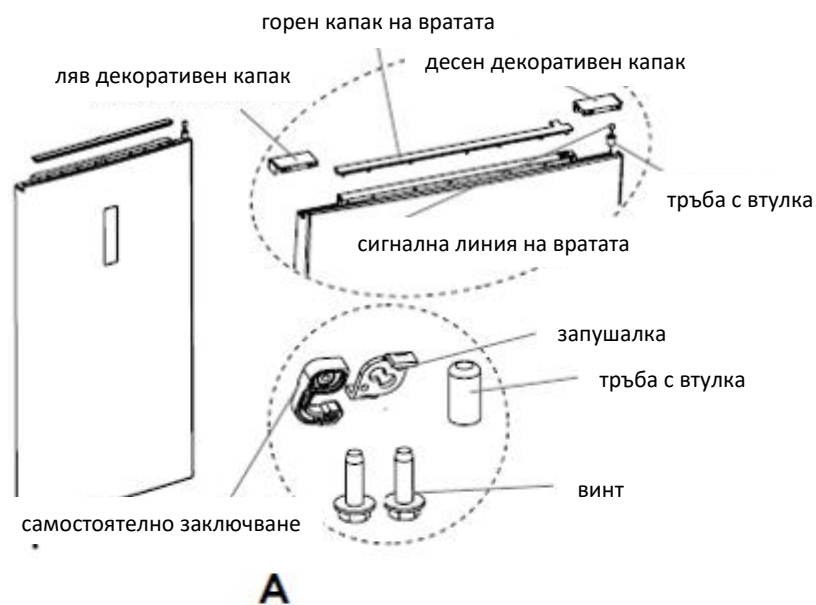
3. Отстранете вратата на хладилното отделение, средната панта (използвайте гаечен ключ, за да отстраните винта на средната панта) и капачката на отвора от другата страна.



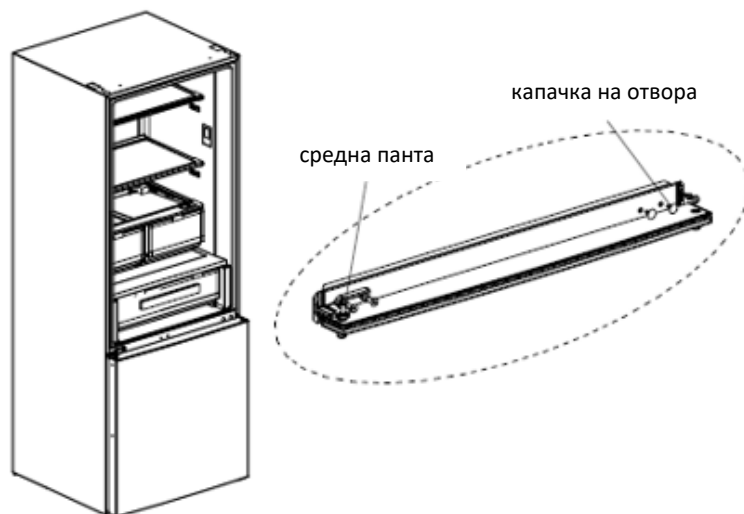
4. Свалете вратата на фризерното отделение, демонтирайте долната панта, капачките на отворите и нивелиращите крачета. Монтирайте вала на долната панта от другата страна и прикрепете долната панта към другата страна.



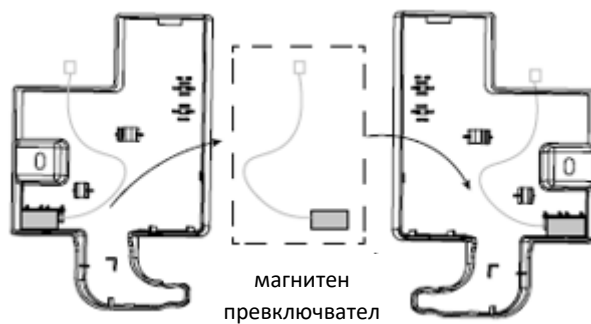
5. А. Свалете горния капак на вратата на хладилното отделение и левия декоративен капак. Монтирайте горната втулка на пантата и сигналната линия на вратата от другата страна, след което монтирайте отново горния капак на вратата. Демонтирайте ограничителя, самозаключващия се механизъм и тръбата на втулката на вратата на хладилното отделение. Вземете левия самозаключващ се механизъм за вратата на хладилното отделение и десния декоративен капак от торбата с принадлежности. Сглобете тръбата на ръкава, левия самозаключващ се механизъм и стопера в долната лява част на вратата с помощта на винтове, след което монтирайте десния декоративен капак.
- В. Отстранете тапата и втулката от долния десен ъгъл на вратата на фризерното отделение. Сглобете тръбата на втулката, левия самозаключващ се механизъм и тапата на долната лява част на вратата с помощта на винтове



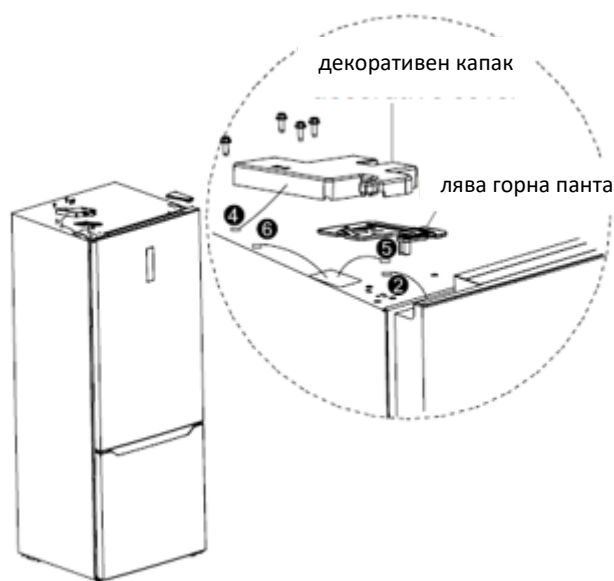
6. Поставете вратата на фризерното отделение върху долната панта и монтирайте средната панта и капачките на отворите.



7. Свалете магнитния превключвател от капака на дясната панта и го поставете на капака на лявата панта.



8. Вземете горната лява панта от чантата за аксесоари, поставете тялото на вратата върху средната панта и монтирайте горната лява панта. Свържете сигнална линия 5 в горната част на хладилника към сигнална линия 2 на вратата. Свържете сигнален кабел 4 към сигнален кабел 6, след което монтирайте капака на лявата панта и декоративния капак.



#### ВНИМАНИЕ

**Разлики:** Поради технически промени и разлики между моделите, някои от илюстрациите в това ръководство може да се различават от конкретния модел.



### Нивелиращи крачета

За да се избегнат вибрации, уредът трябва да се изравни.

Ако е необходимо, регулирайте нивелиращите крачета, за да компенсирате неравностите на пода.

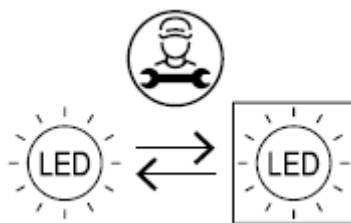
Предната част трябва да е малко по-висока от задната, за да се улесни затварянето на вратата.

Нивелиращите крачета могат да се завъртят лесно чрез леко накланяне на шкафа.

Завъртете нивелиращите крачета обратно на часовниковата стрелка , за да повдигнете уреда, а по часовниковата стрелка , за да го спуснете.

### Смяна на светодиодната светлина

Подмяната или поддръжката на светодиодните лампи трябва да се извършва от производителя, неговия сервизен представител или от лице с подобна квалификация.



Този продукт съдържа светлинен източник с клас на енергийна ефективност F в отделението за замразяване.

Този продукт съдържа светлинен източник с клас на енергийна ефективност G в хладилното отделение.

## Преместване на уреда

1. Извадете всички предмети от уреда.
2. Издърпайте щепсела, поставете го и го фиксирайте в кука на щепсела отзад или отгоре на уреда.
3. Залепете частите, като рафтовете и вратата, за да предотвратите падането им при преместване на уреда.
4. Премествайте уреда с повече от двама души внимателно. При транспортиране на уреда на дълги разстояния дръжте уреда в изправено положение.

## Съвети за пестене на енергия

Не поставяйте уреда в близост до готварски печки, радиатори или други източници на топлина. Ако температурата на околната среда е висока, компресорът ще работи по-често и по-дълго, което води до повишена консумация на енергия.

Уверете се, че в основата на уреда, отстрани на уреда и отзад на уреда има достатъчна вентилация.

Спазвайте също така размерите на разстоянията в глава "Монтаж".

Разположението на чекмеджетата, рафтовете и таблата, както е показано в прегледа на продукта, предлага най-ефективно използване на енергията и трябва да се запази, доколкото е възможно.

За да се получи по-голямо пространство за съхранение (напр. за големи хладилни/замразени стоки), средните чекмеджета и рафтове могат да се демонтират. Ако е необходимо, горните и долните чекмеджета и рафтове трябва да се демонтират последни.

Равномерно запълненото отделение на хладилника/фризера допринася за оптималното използване на енергията.

Оставете топлата храна да се охлади, преди да я поставите в отделението за хладилник/фризер. Храната, която вече се е охладила, повишава енергийната ефективност.

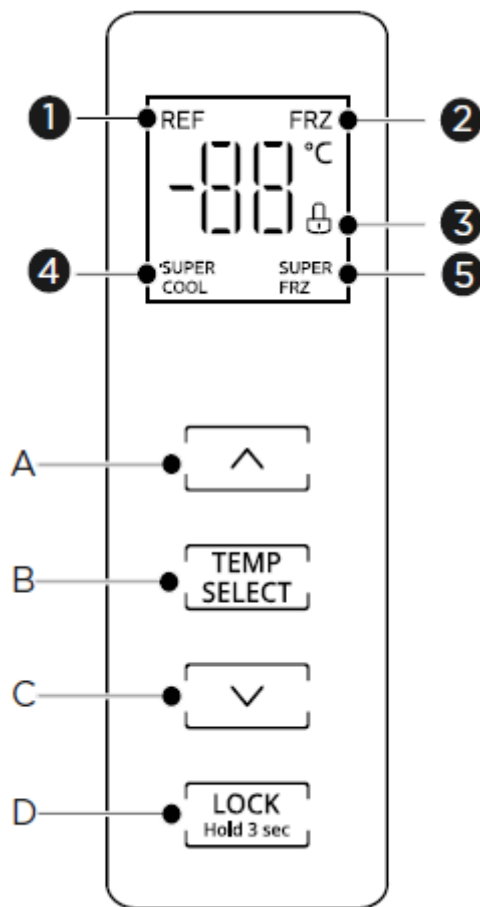
Оставете замразената храна да се размрази в хладилното отделение. Студенината на замразената храна намалява консумацията на енергия в хладилното отделение и по този начин увеличава енергийната ефективност.

Отваряйте вратата само за кратко, колкото е необходимо, за да намалите загубата на студ. Отварянето на вратата за кратко и правилното ѝ затваряне намалява консумацията на енергия.

Задаването на температура не по-ниска от необходимото допринася за оптималното използване на енергията.

Уплътненията на вратите на вашия уред трябва да са напълно изправни, за да се затварят правилно и да не се увеличава излишно консумацията на енергия.

## 6. ПАНЕЛ ЗА УПРАВЛЕНИЕ



### Екран на дисплея

1. Температура на хладилното отделение
2. Температура на фризерното отделение
3. Заклучване/отключване
4. Супер готино
5. Супер замразяване

### Бутони за работа

- A. Повишаване на температурата
- B. Избор на температурно отделение
- C. Намаляване на температурата
- D. Заклучване/отключване





### ВНИМАНИЕ

Действителният контролен панел може да се различава в зависимост от модела. Контролният панел се изключва автоматично, за да се пести енергия.


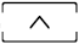

## Настройка на температурата

### Настройка на температурата на хладилното отделение

- Натиснете бутона "TEMP SELECT", за да промените зададената температура в хладилното отделение и на дисплея ще се появи иконата "REF".





- С всяко натискане на бутона " " или " " зададената температура се увеличава с 1 °C или се намалява с 1 °C. Настройката на температурата ще бъде активна след заключване на панела с дисплея.
- Диапазонът на настройка на температурата в хладилното отделение е 2 °C ~ 8 °C.
- Натиснете бутона за избор на температурна зона, за да изберете температурната зона на охлаждане. След това задръжте натиснат бутона за избор на температурна зона за 3 секунди, докато чуete три звукови сигнала, за да влезете в състояние на изключване на охлаждането. В този момент на цифровия дисплей ще се покаже " - - ".
- Докато сте в състояние на изключване на охлаждането, натиснете бутона за избор на температурна зона, за да изберете температурната зона на охлаждане. След това задръжте натиснат бутона за избор на температурна зона за 3 секунди, докато чуete три звукови сигнала, за да излезете от състоянието на изключване на охлаждането. Дигиталният дисплей ще се върне към нормалното показване на температурата и температурата по подразбиране за хладилното отделение ще бъде настроена на 5 °C, влизайки в нормален режим на работа.

### Настройка на температурата на фризерното отделение



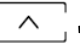
- Натиснете бутона " ", за да промените зададената температура във фризерното отделение и на дисплея ще се появи иконата "FRZ".
- С всяко натискане на бутона " " или " " зададената температура се увеличава с 1 °C или се намалява с 1 °C. Настройката на температурата ще бъде активна след заключване на панела с дисплея.
- Диапазонът на настройка на температурата във фризерното отделение е -24°C ~ -16°C.

## Функции


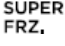
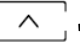
### Заключване / Отключване

Когато контролният панел е отключен, натиснете и задръжте бутона " " за 3 секунди, за да активирате функцията за заключване " ". Когато контролният панел е заключен, натиснете и задръжте бутона " " за 3 секунди, за да отключите функцията " ". Всички функции по-долу могат да се използват само когато контролният панел е отключен.

### Режим "Super Cool"

- Когато температурата в хладилното отделение е настроена на 2 °C, натиснете бутона за намаляване на температурата " ", за да активирате функцията "Super Cool". Иконата " " светва и функцията "Super Cool" се активира след заключване на контролния панел.
- Функцията "Super Cool" се деактивира автоматично след 6 часа или с натискане на бутона за повишаване на температурата " " .

### Режим "Супер замразяване"

- Когато температурата във фризерното отделение е настроена на -24 °C, натиснете бутона за намаляване на температурата " ", за да активирате режима "Super Freeze". Иконата " " светва и функцията "Super Freeze" се активира след заключване на контролния панел.
- Режимът "Super Freeze" се деактивира автоматично след 40 часа или с натискане на бутона за повишаване на температурата " " .
- Препоръчваме ви да активирате режима "Супер замразяване" 12 часа преди да поставите голямо количество замразена храна във фризерното отделение.

**Забележка:** Функцията за бързо замразяване е предназначена да запази хранителната стойност на храната във фризера, като я замразява за възможно най-кратко време. Ако трябва да се замрази голямо количество храна наведнъж, се препоръчва потребителят да активира функцията за бързо замразяване, преди да постави храната вътре. През това време скоростта на замразяване на фризерното отделение се увеличава, което позволява на храната да се замрази бързо, ефективно да се задържат хранителните ѝ вещества и да се направи съхранението по-удобно.

#### Функция за аларма при отваряне на вратата

Ако вратата остане отворена за повече от 120 секунди, уредът издава два предупредителни звукови сигнала, а след това един предупредителен звуков сигнал на всяка минута. Натиснете за кратко който и да е бутон, за да спрете предупреждението. Тази предупредителна функция не може да бъде отменена, затова затворете вратата възможно най-скоро.

### Код за неизправност

Следните предупреждения, които се появяват на дисплея, показват неизправности в уреда. Дори ако уредът се охлади в случай на неизправност, потребителят трябва да се обърне към квалифициран сервизен техник, за да осигури оптимална работа на уреда.

Код за неизправност	Описание на неизправността
E1	Повреда на сензора за температурата в хладилното отделение
E2	Повреда на сензора за температурата във фризерното отделение
E3	Повреда на сензора за температурата в охладителното отделение
E5	Дефект на сензора за размразяване на фризера
E6	Грешка в комуникацията между главната платка за управление и платката на дисплея
E7	Грешка на сензора за околна температура

## 7. СЪХРАНЕНИЕ НА ХРАНА

### Фризерно отделение

Фризерното отделение е предназначено за замразяване на храна при ниски температури, за дългосрочно съхранение на замразена храна и за приготвяне на кубчета лед.

Обърнете внимание на звездните класове (4 звезди, 2 звезди и 1 звезда) във фризерното отделение и произтичащото от тях време за съхранение на замразени храни.

Не поставяйте прясна и замразена храна една до друга. Замразената храна може да се размрази.

Когато замразявате големи количества прясна храна (например месо, риба или кайма), разделете я на няколко малки парчета, преди да я поставите във фризера, за да се замрази бързо и да се извади лесно.

Спазвайте времето за съхранение, препоръчано от производителя на храната върху опаковката; ако няма информация върху опаковката, храната не трябва да се съхранява замразена за повече от три месеца от датата на закупуване.

Когато купувате замразена храна, уверете се, че тя е замразена при правилната температура и че опаковката не е повредена.

Замразените храни трябва да се съхраняват в подходящи индивидуални опаковки, за да се гарантира, че съседните храни няма да бъдат замърсени. Консумирайте размразената и размразената храна незабавно, не я замразявайте отново.

В случай на продължително прекъсване на електрозахранването или неизправност на уреда, извадете съхраняваните замразени храни и проверете дали все още са годни за консумация, след което ги съхранявайте на достатъчно хладно място или в друг уред.

За да размразите храната, извадете я от фризера и я оставете да се размрази на стайна температура или в хладилника. За бързо размразяване на храната можете да използвате функцията за размразяване на микровълновата фурна, например.

Ако искате да размразите само част от опаковката, извадете частта, която ви е необходима, и затворете останалата част от опаковката веднага. Това ще предотврати изгарянето във фризера и ще намали образуването на лед върху останалата част от храната.

## Охлаждащо отделение

За да намалите влагата и последващото натрупване на лед, никога не поставяйте течности в хладилника в незапечатани съдове.

Замръзването обикновено се концентрира в най-хладните части на изпарителя. Съхраняването на течности без покритие ще доведе до по-често размразяване.

Никога не поставяйте гореща храна в хладилника. Оставете ги да се охладят до стайна температура, преди да ги поставите в хладилника, за да осигурите подходяща циркулация на въздуха.

Храната или контейнерите за храна не трябва да се допират до задната част на хладилника, тъй като могат да замръзнат към стената. Не отваряйте редовно вратата на хладилника.

Месото и чистата риба (опаковани или увити в пластмаса) могат да се поставят в хладилника за 1-2 дни.

Неопакованите плодове и зеленчуци могат да се поставят в раздела за пресни плодове и зеленчуци.

## Отделение за охлаждане

Подходящ за краткосрочно съхранение (1-3 дни) на прясна риба, прясно месо, пресни храни и др.

В близост до задната част и дъното на чекмеджето храната може да замръзне леко. Храната, която не трябва да се замразява, не трябва да се поставя в тези зони.



### ВНИМАНИЕ

Съхраняването на твърде много храна по време на работа след първоначалното включване към захранването може да се отрази неблагоприятно на замразяващия ефект на хладилника.

## Препоръки за времето за съхранение

След като свържете уреда към електрическата мрежа, изчакайте 2-3 часа, преди да поставите храна в уреда. Ако поставите храната, преди уредът да се е охладил, има риск тя да се развали.

Забележка: Прекалено дългото съхранение или съхранението при неподходяща температура на замразяване може да доведе до загуба на качеството или до разваляне на храните, което води до разхищение на храна, е негодно за консумация и може да причини хранително отравяне. В повечето случаи минималната температура трябва да бъде  $-18\text{ }^{\circ}\text{C}$  или по-ниска.

Поръчка	ТИП отделения	Целева температура на съхранение. [ $^{\circ}\text{C}$ ]	Подходяща храна
1	Хладилник	$+2\leq+6$	Яйца, готвени храни, пакетирани храни, плодове и зеленчуци, млечни продукти, сладкиши, напитки и други храни не са подходящи за замразяване.

2	(***)*-фризер	$\leq -18$	Морски дарове (риба, скариди, ракообразни), сладководни водни продукти и месни продукти (препоръчва се за 3 месеца, колкото по-дълго е времето за съхранение, толкова по-лоши са вкусът и хранителните качества), подходящи за замразени пресни храни.
3	***-Фризер	$\leq -18$	Морски дарове (риба, скариди, ракообразни), сладководни водни продукти и месни продукти (препоръчително за 3 месеца, колкото по-дълго е съхранението, толкова по-лош е вкусът и ), не са подходящи за замразени пресни храни.
4	** -Фризер	$\leq -12$	Морските дарове (риба, скариди, ракообразни), сладководните водни продукти и месните продукти (препоръчително за 2 месеца, колкото по-дълго е времето за съхранение, толкова по-лоши са вкусът и хранителните качества), не са подходящи за замразени пресни храни.
5	*Фризер	$\leq -6$	Морските дарове (риба, скариди, ракообразни), сладководните водни продукти и месните продукти (препоръчва се за 1 месец, колкото по-дълго е времето за съхранение, толкова по-лоши са вкусът и хранителните качества), не са подходящи за замразени пресни храни.
6	0 звезди	$-6 \leq 0$	Прясно свинско, говеждо, риба, пилешко, някои пакетирани преработени храни и т.н. (Препоръчва се да се консумират в рамките на същия ден, за предпочитане не повече от 3 дни). Частично капсулирани преработени храни (храни, които не могат да се замразяват)
7	Chill	$-2 \leq +3$	Прясно/замразено свинско месо, говеждо месо, пилешко месо, сладководни водни продукти и т.н. (7 дни под $0^{\circ}\text{C}$ и над $0^{\circ}\text{C}$ се препоръчва консумация в рамките на този ден, за предпочитане не повече от 2 дни). Морски дарове (под 0 за 15 дни, не се препоръчва съхранение над $0^{\circ}\text{C}$ ).
8	Свежа храна	$0 \leq +4$	Прясно свинско месо, говеждо месо, риба, пилешко месо, варена храна и т.н. (Препоръчва се да се консумира в рамките на същия ден, за предпочитане не повече от 3 дни).
9	Вино	$+5 \leq +20$	Червено вино, бяло вино, пенливо вино и др.

## 8. ПОДДРЪЖКА И ПОЧИСТВАНЕ



### ВНИМАНИЕ

Изключете уреда от електрическата мрежа, преди да извършвате рутинна поддръжка. Изчакайте поне 5 минути, преди да стартирате отново уреда, тъй като честото стартиране може да повреди компресора.

Не използвайте механични устройства или други средства за ускоряване на процеса на размразяване, различни от препоръчаните от производителя.

Не се опитвайте сами да ремонтирате, разглобявате или модифицирате устройството. В случай на ремонт, моля, свържете се с нашия сервизен отдел.

Отстранявайте праха от задната част на уреда поне веднъж годишно, за да предотвратите опасност от пожар и повишена консумация на енергия.

Редовно проверявайте уплътнението на вратата, за да се уверите, че не е замърсено. Почиствайте уплътнението на вратата с мека кърпа, навлажнена със сапунена вода или разреден почистващ препарат.

Вътрешността на продукта трябва да се почиства редовно, за да се предотврати появата на миризми. Почистете вътрешността на продукта с две супени лъжици сода за хляб и една четвърт топла вода с мека кърпа или гъба. Изплакнете с вода и избършете.

След почистване отворете вратата и я оставете да изсъхне естествено, преди да я включите.

За местата на продукта, които са трудни за почистване (като тесни пространства, пукнатини или ъгли), се препоръчва редовно да се избърсват с мека кърпа, мека четка и др.

и, ако е необходимо, в комбинация с някои помощни инструменти (като тънки пръчици), за да се гарантира, че в тези зони няма да се натрупват мръсотия или бактерии.

Избършете външната повърхност на продукта с мека кърпа, навлажнена със сапунена вода, почистващ препарат и т.н., след което избършете до сухо.

Не използвайте твърди четки, чисти стоманени топчета, телени четки, абразиви (като паста за зъби), органични разтворители (като алкохол, ацетон, изоамил ацетат и др.), вряла вода, киселинни или алкални вещества, които могат да повредят повърхността и вътрешността на хладилника. Врящата вода и органичните разтворители, като бензол, могат да деформират или повредят пластмасовите части.



По време на почистването не изплаквайте уреда директно с вода или други течности, за да избегнете късо съединение или повреда на електрическата изолация.



#### ВНИМАНИЕ

Препоръчваме ви да оставите уреда да работи продължително след включването му. Като общо правило работата на уреда не трябва да се прекъсва, за да не се наруши експлоатационният му живот.

## Размразяване

Въпреки че този уред се размразява автоматично, по вътрешните стени на фризерното отделение може да се образува слой скреж, ако вратата на фризера се отваря често или се оставя отворена твърде дълго. Ако замръзването стане твърде дебело, изберете време, когато запасите от храна са малки, и процедирайте по следния начин:

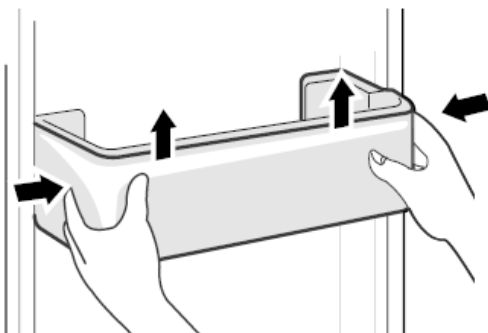
1. Извадете всички останали храни и кошници за аксесоари, изключете уреда от електрическата мрежа и оставете вратите отворени. Проветрете добре помещението, за да ускорите процеса на размразяване.
2. Когато размразяването приключи, почистете фризера, както е описано по-горе.

**Внимание!** Не използвайте остри предмети за отстраняване на замръзване от фризера. Включете уреда отново и го включете в електрическата мрежа едва след като вътрешността му е напълно суха.

## Почистване на таблата на вратата

Съгласно стрелката на фигурата по-долу, натиснете тавата с двете си ръце и я избутайте нагоре, след което можете да я извадите.

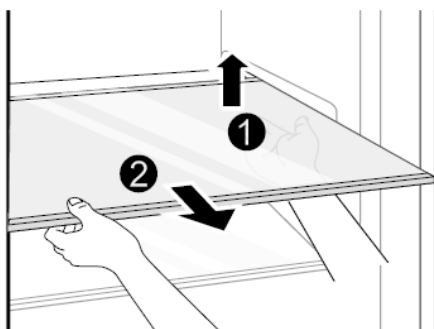
След като измиете тавата, можете да регулирате височината ѝ на поставяне в съответствие с вашите изисквания.



## Почистване на стъклен рафт

Тъй като най-вътрешната част на облицовката на хладилника, където се допира до рафтовете, има ограничител, трябва да повдигнете рафтовете нагоре, след което ще можете да ги извадите.

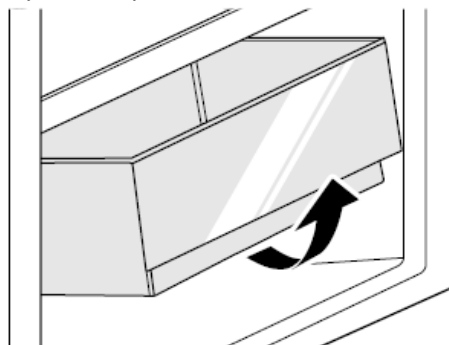
Регулирайте или почиствайте рафтовете според изискванията си.



## Почистване на чекмеджето за зеленчуци

Извадете съдържанието на чекмеджето. Хванете дръжката на чекмеджето за зеленчуци и го издърпайте напълно, докато спре.

Повдигнете чекмеджето за зеленчуци нагоре и го извадете, като го издърпате.

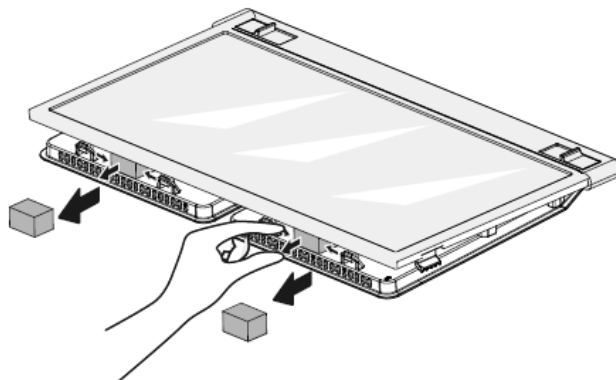


## Как да извадите перления памучен блок в компонентите на овлажняващия рафт

Перленият памук се използва за отделяне на рафта за кондициониране на влагата от влагоустойчивия капак (за да се предотврати падането на влагоустойчивия капак по време на транспортиране). След

разопаковане потребителят трябва да отстрани този перлен памук от сглобката на влагозадържачия рафт.

За да го отстраните, хванете с ръка двете страни на перления памук и издърпайте силно, докато перленият памук се отдели напълно от сглобката на влагозадържачия рафт.



#### ВНИМАНИЕ

Разлики: Поради технически промени и различни модели някои от илюстрациите в това ръководство може да се различават от вашия модел.

## 9. ОТСТРАНЯВАНЕ НА НЕИЗПРАВНОСТИ

Потребителят може да се справи със следните прости въпроси. Моля, обадете се на отдела за следпродажбено обслужване, ако проблемите не са решени.

Проблем	Възможни причини	Решение
Уредът не работи.	Захранването не е включено и щепселът не е поставен здраво. Ниско напрежение, прекъсване на захранването или сработване на част от веригата.	Поставете здраво щепсела на захранващия кабел. Проверете захранването у дома.
Светлината не свети	Уредът не е включен. Светлината е счупена.	Изключете и включете отново захранващия кабел. Заменете лампата с нова.
Плодовете или зеленчуците са замразени	Поставена ли е храната в задната част на хладилника? В зоната до задната стена температурата е най-ниска. Плодовете или зеленчуците се съхраняват в зоната Fresh/Chill.	Не поставяйте храни, които могат лесно да замръзнат, в задната част на отделението на хладилника. Зоната Fresh/Chill е предназначена само за месо/риба.
Хладилникът/фризерът се преохлажда	Контролът на температурата не е настроен правилно.	Задайте по-висока температура.
Компресорът работи продължително време	Високата температура на околната среда води до дълго време на работа. Поставяне на твърде много храна наведнъж. Храната е поставена, преди да е изстинала. Прекалено често отваряне на вратата.	Това е нормално. Не слагайте твърде много храна наведнъж. Изчакайте храната да се охлади, преди да я поставите. Не отваряйте вратата твърде често. Трябва да се размрази.

	Слоят замръзване вътре е твърде дебел.	
Вратата не се затваря правилно	Вратата е задръстена с предмети. Прекалено много храна. Уплътнението на вратата е деформирано.	Не слагайте твърде много храна. Поставете уреда стабилно. Загрейте уплътнението на вратата, след което го охладете за възстановяване (с електрическа сушилна или гореща вода за отопление).
Външната стена е гореща	Когато уредът работи, топлината се отвежда навън през металните тръби в корпуса. По-високите температури на околната среда през лятото водят до повишаване на температурата на външната стена.	По-високата температура на външната стена е нормална. Увеличете пространството за разсейване на топлината или поставете уреда на проветриво и хладно място.
Кръстосаните или вертикалните греди са горещи	Във вътрешността на гредите има метални тръби, а топлината, отделяна от тръбите, предотвратява кондензацията.	Това е нормално.
Миризми	Развалена храна Храна със силни миризми Вътрешното отделение е замърсено.	Почистете и отстранете всички развалени храни. Уверете се, че силно миришещата храна е опакована херметически. Почистете вътрешното отделение.
Действителната температура се различава от зададената	Когато се постави топла храна, температурата временно се повишава. След като зададете нова температура, ще отнеме известно време, докато температурата в отделението, за да достигне зададената температура, когато вратата не е отворена. След стабилизирането на температурата действителните температури на различните места в отделението са различни, с отклонение от около $\pm 3$ °C.	Това е нормално. Изчакайте известно време, преди да проверите действителната температура.
Отвън се образува конденз	Когато влажността в помещението е висока, може да се образува конденз.	Това е нормално. Избършете конденза със суха кърпа.

В хладилника и чекмеджетата се образува конденз	Хладилникът поддържа висока влажност, за да запази зеленчуците и другите хранителни продукти свежи. Влажността в помещението е твърде висока и вратите са били отворени често. Уплътненията на вратите не са плътни.	Избършете конденза със суха кърпа. Не отваряйте вратите толкова често или не ги дръжте отворени твърде дълго. Проверете уплътнението на вратата, почистете го или коригирайте позицията му.
Замръзване около вентилационните отвори	Вратата не е затворена правилно. Уплътненията на вратата не са плътни.	Уверете се, че храната не блокира вратата. Проверете уплътнението на вратата, почистете го или коригирайте позицията му.
Трудно се отваря вратата	Разликата в налягането на въздуха от вътрешната и външната страна на отделението понякога може да затрудни отварянето на вратата на фризера.	Изчакайте няколко мига и се опитайте да отворите вратата бавно.

При нормална употреба на устройството могат да се чуят някои шумове, които не влияят на правилното му функциониране.

Шумове, които лесно могат да бъдат предотвратени:

- Шум, причинен от това, че уредът не е хоризонтален - изравнете уреда с помощта на регулируемите предни крачета. Алтернативно, поставете протектори от мек материал под задните колелца, особено когато уредът се поставя върху плочки.
- Уредът се допира до съседни мебели - преместете уреда.
- Чекмеджетата или рафтовете скърцат - извадете и сменете чекмеджето или рафта.
- Звук от стържене на бутилки - отдалечете бутилките една от друга.

Звучите, които може да чуете при нормална употреба, се дължат главно на работата на компресора и охладителната система (термичното разширение и свиване на радиатора, причинено от потока на охлаждащата течност).

#### ГРИЖА ЗА КЛИЕНТИТЕ И ОБСЛУЖВАНЕ

Винаги използвайте оригинални резервни части.

Когато се свързвате с нашия оторизиран сервизен център, уверете се, че разполагате със следните данни: Модел и сериен номер.

Информацията може да се намери на табелката с номиналните стойности. Може да бъде променена без предизвестие.

#### ТЕХНИЧЕСКИ ДАННИ

Техническата информация се съдържа в табелката с данни от вътрешната страна на уреда и в енергийния етикет.

QR кодът върху енергийния етикет, предоставен заедно с уреда, предоставя уеб връзка към информацията, свързана с експлоатационните характеристики на уреда, в базата данни EPREL на ЕС.

Съхранявайте енергийния етикет за справка заедно с ръководството за потребителя и всички други документи, предоставени с този уред.

Същата информация може да бъде намерена и в EPREL, като се използва връзката <https://erel.ec.europa.eu> и името на модела и номера на продукта, които се намират на табелката с номиналните параметри на уреда.

За да получите достъп до информация за вашия продукт в портала на EPREL, можете да сканирате кодовете по-долу:



Благодарим ви, че закупихте този продукт. Ако имате нужда от поддръжка на продукта, посетете нашия уебсайт, като използвате връзките по-долу.

**Получаване на ръководства за потребителя:** <https://www.heinner.ro>

**Получете информация за услугата:** <https://www.heinner.ro>



#### Екологично изхвърляне

Можете да помогнете за опазването на околната среда!

Моля, не забравяйте да спазвате местните разпоредби: предайте неработещото електрическо оборудване в подходящ център за изхвърляне на отпадъци.



**HEINNER** е регистрирана търговска марка на **Network One Distribution SRL**. Други марки и имена на продукти са търговски марки или регистрирани търговски марки на съответните им притежатели.

Нито една част от спецификациите не може да бъде възпроизвеждана под каквато и да е форма или по какъвто и да е начин, нито да бъде използвана за създаване на производни, като например превод, преобразуване или адаптиране, без разрешение от NETWORK ONE DISTRIBUTION.

Copyright © 2013 Network One Distribution. Всички права запазени.

[www.heinner.com](http://www.heinner.com), <http://www.nod.ro>



Този продукт е в съответствие с нормите и стандартите на Европейската общност



Вносител: **Network One Distribution**

Marcel Iancu Street, 3-5, Букурещ, Румъния

Тел.: +40 21 211 18 56, [www.heinner.com](http://www.heinner.com), [www.nod.ro](http://www.nod.ro)

# KOMBINÁLT HŰTŐSZEKRÉNY

Modell

**HCNF-M435INVHXE++**



- Teljes kapacitás: 435 L
- Energiaosztály: E

**HEINNER**

## 1. BEVEZETÉS

Kérjük, olvassa el figyelmesen az utasításokat, és őrizze meg a kézikönyvet a későbbi tájékoztatáshoz. Ez a kézikönyv a készülék telepítésére, használatára és karbantartására vonatkozó összes szükséges utasítást tartalmazza. A készülék helyes és biztonságos működtetése érdekében kérjük, hogy a telepítés és használat előtt figyelmesen olvassa el ezt a használati útmutatót.

## 2. A CSOMAG TARTALMA

- ➔ **Kombihűtőszekrény**
- ➔ **Felhasználói kézikönyv**
- ➔ **Jótállási igazolás**





## 3. BIZTONSÁGI FIGYELMEZTETÉSEK

A készülék első bekapcsolása előtt olvassa el az alábbi biztonsági utasításokat!

Ezt a készüléket háztartási és hasonló alkalmazásokban, például üzletek, irodák és más munkakörnyezetek személyzeti konyháiban, tanyákon, valamint szállodák, motelek és más lakóhelyi jellegű környezetek vendégei által történő használatra, panziókban, vendéglátóipari és hasonló, nem kiskereskedelmi célú alkalmazásokban való használatra szánják.

Ezt a készüléket nem olyan személyek (beleértve a gyermekeket is) használhatják, akiknek csökkent fizikai, érzékszervi vagy szellemi képességei vannak, vagy nem rendelkeznek kellő tapasztalattal és ismeretekkel, kivéve, ha a biztonságukért felelős személy felügyeli vagy oktatja őket a készülék használatára vonatkozóan.

### A kifejezések/szimbólumok magyarázata

	<b>VESZÉLYES</b> Ez a szimbólum azt jelzi, hogy a rendkívül gyúlékony gáz veszélyt jelent a személyek életére és egészségére.
	<b>FIGYELMEZTETÉS</b> A jelzőszó olyan közepes veszélyt jelez, amely, ha nem kerüljük el, halálhoz vagy súlyos sérüléshez vezethet.
	<b>VIGYÁZAT</b> A jelzőszó olyan alacsony szintű kockázatot jelez, amely, ha nem kerüljük el, kisebb vagy közepes mértékű sérülést okozhat.
	<b>FIGYELEM</b> A jelzőszó fontos információt jelez (pl. anyagi kár), de nem veszélyt.

**Fontos:** Fordítson különös figyelmet azokra az üzenetekre, amelyek a **VESZÉLY**, **FIGYELMEZTETÉS** vagy **VIGYÁZAT** szavakat tartalmazzák. Ezek a szavak olyan lehetséges veszélyre figyelmeztetnek, amely Önt és másokat súlyosan megsebesíthet.

Az utasításokban megmondják, hogyan csökkentheti a sérülés esélyét, és tájékoztatják arról, hogy mi történhet, ha nem tartja be az utasításokat.

**Figyelem!** Ez a használati utasítás általános jellegű. Ez azt jelenti, hogy bizonyos funkciók az Ön hűtőszekrényére/fagyasztójára vonatkoznak, míg mások nem.

Folyamatosan dolgozunk készüléktípusaink és modelljeink továbbfejlesztésén és tökéletesítésén. Ezért fenntartjuk a jogot, hogy minden típus és modell kialakítását, felszereltségét és tartozékait előzetes értesítés nélkül megváltoztassuk.

## Általános biztonság



### Tűzveszély/gyúlékony anyagok

A készülékben használt hűtőközeg és ciklopentánhab gyúlékony. Ezért a készülék selejtezésekor a környezetkárosodás vagy egyéb károk megelőzése érdekében a készüléket minden tűzforrástól távol kell tartani, és megfelelő képesítéssel rendelkező, erre szakosodott hasznosító cégnek kell visszanyernie, és nem szabad égetéssel ártalmatlanítani.



### FIGYELMEZTETÉS

- A gyermekeket felügyelni kell, hogy ne játszanak a készülékkel.
- Ha a tápkábel megsérül, a veszély elkerülése érdekében a gyártónak, szervizének vagy hasonlóan képzett személynek kell kicserélnie.
- Ne tároljon robbanásveszélyes anyagokat, például gyúlékony hajtóanyagot tartalmazó aeroszolos dobozokat ebben a készülékben.
- A készüléket használat után, valamint a készüléken végzett felhasználói karbantartás előtt ki kell húzni a hálózathoz.
- A készülék házában vagy a beépített szerkezetben lévő szellőzőnyílásokat tartsa szabadon.
- A leolvasztási folyamat felgyorsítására ne használjon a gyártó által javasoltaktól eltérő mechanikus eszközöket vagy más eszközöket.
- Ne sértse meg a hűtőközeg-körfolyamatot.
- Ne használjon elektromos készülékeket a készülék élelmiszertároló rekeszeiben, kivéve, ha azok a gyártó által ajánlott típusúak.
- Kérjük, hagyja el a hűtőszekrényt a helyi szabályozóknak megfelelően, mert gyúlékony fűvógázt és hűtőközeget használ.
- A készülék elhelyezésekor ügyeljen arra, hogy a tápkábel ne legyen beszorulva vagy megsérülve.
- Ne helyezzen el több hordozható konnektort vagy hordozható tápegységet a készülék hátsó részén.
- Ne használjon hosszabbítót vagy földeletlen (kétágú) adaptereket.
- A készülék instabilitásából eredő veszély elkerülése érdekében a készüléket az utasításoknak megfelelően kell rögzíteni.
- A hűtőszekrényt le kell választani az áramforrásról, mielőtt megkísérelné a tartozék beszerelését. Győződjön meg arról, hogy a tápkábelt nem szorítja be a hűtőszekrény. Ne lépjen rá a tápkábelre.
- Szabadon álló készülék esetén: Ez a hűtőszekrény nem beépíthető készülékként való használatra készült.

## Napi használat



### VIGYÁZAT

- Ne húzza meg a tápkábelt, amikor kihúzza a hűtőszekrény hálózati csatlakozóját. Kérjük, fogja meg határozottan a dugót, és közvetlenül húzza ki a konnektorból.
- A biztonságos használat érdekében ne sértse meg a tápkábelt, és ne használja a tápkábelt, ha az sérült vagy kopott.
- Kérjük, használjon külön konnektort, és a konnektort ne ossza meg más elektromos készülékekkel.
- A hálózati csatlakozónak szilárdan érintkeznie kell a konnektorral, különben tüzet okozhat.

- Kérjük, győződjön meg arról, hogy a hálózati aljzat földelő elektródája megbízható földelő vezetékkel van ellátva.
- A hűtőszekrény csak 220~240V/50Hz-es egyfázisú váltakozó áramú tápegységgel használható.
- Kérjük, zárja el a szivárgó gáz szelepét, majd nyissa ki az ajtókat és az ablakokat, ha gáz és más gyúlékony gázok szivárognak.
- Ne húzza ki a hűtőszekrényt és más elektromos készülékeket, mivel a szikra tüzet okozhat.
- Ne használjon elektromos készülékeket a készülék tetején, kivéve, ha azok a gyártó által ajánlott típusúak.
- A hűtőszekrény ajtója, valamint az ajtók és a hűtőszekrény teste közötti rések kicsik, ügyeljen arra, hogy ne tegye a kezét ezekre a területekre, nehogy megszorítsa az ujját. Kérjük, legyen óvatos, amikor becsukja a hűtőszekrény ajtaját, hogy elkerülje a leeső tárgyakat.
- A fagyasztókamrában, amikor a hűtőszekrény üzemel, ne szedje nedves kézzel az élelmiszereket vagy edényeket, különösen a fémtartályokat, hogy elkerülje a fagyási sérüléseket.
- Ne engedje, hogy a gyermek a hűtőszekrénybe bejusson vagy felmásszon; ellenkező esetben fulladás vagy a gyermek leesési sérülése következhet be.
- Ne helyezzen nehéz tárgyakat a hűtőszekrény tetejére, tekintettel arra, hogy az ajtó bezárásakor vagy kinyitásakor a célkitűzések leeshetnek, és véletlen sérüléseket okozhatnak.
- Ne tegyen gyúlékony, robbanásveszélyes, illékony és erősen maró tárgyakat a hűtőszekrénybe, hogy elkerülje a termék károsodását vagy a tűzveszélyes baleseteket.
- A tüzek elkerülése érdekében ne helyezzen gyúlékony tárgyakat a hűtőszekrény közelébe.
- A hűtőszekrény háztartási használatra, például élelmiszerek tárolására szolgál; nem használható más célra, például vér, gyógyszerek, biológiai termékek stb. tárolására.
- Ne tároljon sört, italt vagy más, palackokban vagy zárt tartályokban lévő folyadékot a hűtőszekrény fagyasztókamrájában, különben a palackok vagy zárt tartályok a fagyás miatt megrepedhetnek, és kárt okozhatnak.



#### FIGYELMEZTETÉS


**Az uniós szabványhoz:** Ezt a készüléket 8 éves és idősebb gyermekek, valamint csökkent fizikai, érzékszervi vagy szellemi képességekkel rendelkező, illetve tapasztalat és ismeretek hiányában nem rendelkező személyek is használhatják, ha felügyeletet kaptak, vagy a készülék biztonságos használatára vonatkozó utasításokat kaptak, és megértették a készülékkel járó veszélyeket. A gyermekek nem játszhatnak a készülékkel. A tisztítást és a felhasználói karbantartást gyermekek felügyelet nélkül nem végezhetik.

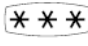
Az élelmiszerek szennyeződésének elkerülése érdekében kérjük, tartsa be az alábbi utasításokat:

- Az ajtó hosszabb időre történő kinyitása a készülék rekeszeinek hőmérsékletének jelentős emelkedését okozhatja.
- Rendszeresen tisztítsa meg az élelmiszerekkel érintkező felületeket és a hozzáférhető vízelvezető rendszereket.
- A nyers húst és halat megfelelő tárolóedényekben tárolja a hűtőszekrényben úgy, hogy ne érintkezzen más élelmiszerekkel, illetve ne csöpögjön rájuk.
- A kétcsillagos fagyasztott élelmiszerrekeszek alkalmasak előfagyasztott élelmiszerek tárolására, jégkrém tárolására vagy készítésére, valamint jégkockák készítésére (1. megjegyzés) (\*).
- Az 1 csillagos, 2 csillagos és 3 csillagos rekeszek nem alkalmasak friss élelmiszerek fagyasztására (2. megjegyzés) (\*).
- A 4 csillagos rekesz nélküli készülékek esetében: ez a hűtőkészülék nem alkalmas élelmiszerek fagyasztására (3. megjegyzés) (\*).
- Ha a hűtőkészülék hosszabb ideig üresen marad, kapcsolja ki, olvassza le, tisztítsa meg, szárítsa meg, és hagyja nyitva az ajtót, hogy megakadályozza a készülékben a penész kialakulását.


1., 2., 3. megjegyzés: Kérjük, ellenőrizze, hogy az Ön termékrekeszének típusa szerint alkalmazható-e.

(\*): Ez a funkció a megvásárolt modelltől függően változik.

 "4 csillag" szimbólum: 18 °C-on vagy hidegebb hőmérsékleten fagyasztva, és képes bizonyos mennyiségű élelmiszer gyorsfagyasztására.

 "3 csillag" szimbólum: A fagyasztórekesz -18 °C-on vagy annál hidegebb hőmérsékleten.

 "2 csillag" szimbólum: A fagyasztórekesz -12 °C-on vagy annál hidegebb.

 "1 csillag" szimbólum: Fagyasztórekesz -6 °C-os célhőmérséklettel és tárolási körülményekkel.



#### VIGYÁZAT

Ez a termék nem ajánlott AFCI/ GFCI funkcióval rendelkező aljzatokkal vagy főkapcsolóval való használatra, különben téves kioldást okozhat.

1. Nem jelenthet biztonsági kockázatot, ha megbotlik.
2. Ha a kioldás továbbra is fennáll, ajánlott a konnektorokat vagy a főkapcsolót AFCI/GFCI-vel nem felszerelt modellekre cserélni.



#### FIGYELMEZTETÉS

Gyermekek csapdába esésének veszélye. Mielőtt kidobja régi hűtőszekrényét vagy fagyasztóját:

- Vegye le az ajtókat.
- A polcokat hagyja a helyén, hogy a gyerekek ne tudjanak könnyen bemászni.

## Környezetvédelem

### A régi elektromos készülékek környezetbarát módon történő ártalmatlanítása

Ez az áthúzott, kerek kuka szimbólum azt jelzi, hogy az elektromos és elektronikus berendezések hulladékát (WEEE) a települési hulladéktól elkülönítve kell ártalmatlanítani.

A régi elektromos termékek veszélyes anyagokat tartalmazhatnak, ezért a régi készülékek helyes ártalmatlanítása segít megelőzni a környezetre és az emberi egészségre gyakorolt lehetséges negatív következményeket. Régi készüléke tartalmazhat olyan újrafelhasználható alkatrészeket, amelyeket más termékek javítására lehet felhasználni, valamint más értékes anyagokat, amelyeket újrahasznosítani lehet a korlátozott erőforrások megőrzése érdekében.

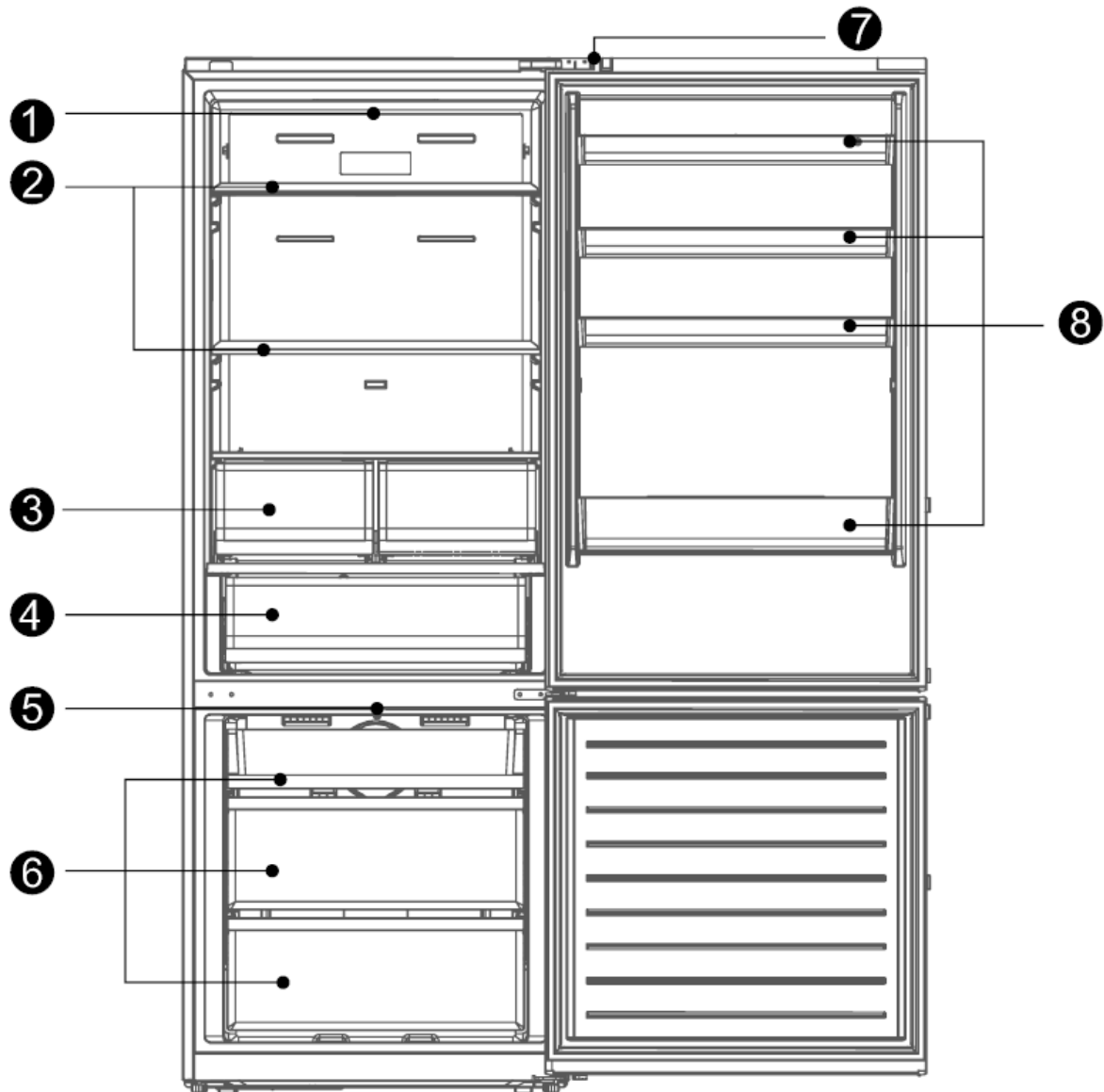


### Csomagolási információk

A termék csomagolóanyagai újrahasznosítható anyagokból készülnek a nemzeti környezetvédelmi előírásoknak megfelelően. Ne dobja ki a csomagolóanyagokat a háztartási vagy egyéb hulladékkal együtt. Vigye azokat a helyi hatóságok által kijelölt csomagolóanyag-gyűjtőhelyekre.



## 4. TERMÉKLEÍRÁS



1. LED fény	5. LED fény
2. Polcok	6. Fiókok
3. Reszelős fiókok	7. Mágneses ajtókapcsoló
4. Hűtőrekesz	8. Ajtó polcok

Az energia leghatékonyabb felhasználása érdekében kérjük, hogy minden belső elemet, például a tálcákat, fiókokat, polcokat és a jégkockatartót a gyártó által megadott helyzetben tartsa.

Ezt a hűtőszekrényt önállóan kell telepíteni, és nem használható beépített készülékként. Ellenkező esetben a készülék teljesítménye és élettartama csökken, és a gyártó nem vállal garanciát.



### FIGYELEM

**Különbségek:** A technikai változások miatt előfordulhat, hogy a jelen kézikönyvben található illusztrációk némelyike nem tükrözi pontosan a tényleges termék megjelenését.

## 5. TELEPÍTÉSI UTASÍTÁSOK

### Első használat előtt

Távolítsa el a külső és belső csomagolást, a külsőt alaposan törölje át egy puha, száraz ruhával, a belső részt pedig egy nedves, langyos ruhával.

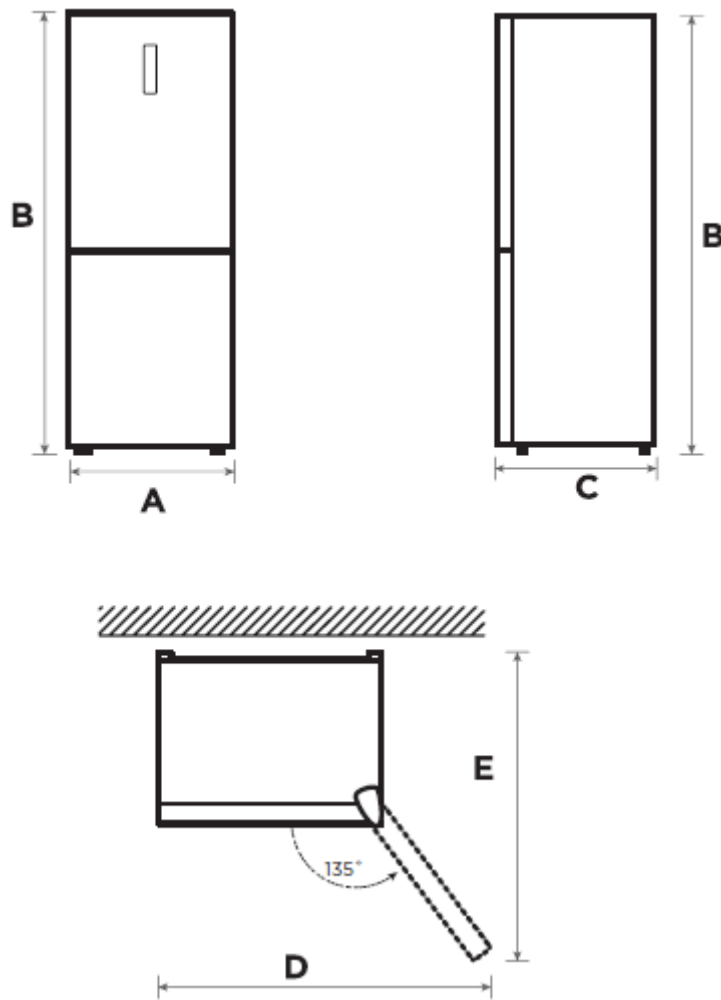
Kerülje, hogy a szekrényt szűk mélyedésbe vagy hőforrás, közvetlen napfény vagy nedvesség közelébe helyezze.

Tartsa szabadon a szekrény körüli légáramlást. A készülék telepítésekor mindkét oldalon 10 cm szabad helyet biztosítson, a készülék tetején 10 cm-t, a készülék hátulján pedig legfeljebb 7,5 cm-t.

Mielőtt a hűtőszekrényt a hálózatra csatlakoztatja, ellenőrizze, hogy a készülék címkéjén feltüntetett feszültség megfelel-e az Ön otthonában uralkodó feszültségnek. Az ettől eltérő feszültség károsíthatja a készüléket.

A készüléket földelni kell. A gyártó nem vállal felelősséget a földelés nélküli használatból eredő károkért.

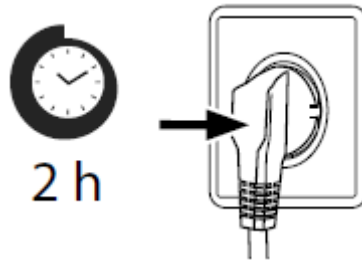
### Helyigény



A	B	C	D	E
700 mm	1880 mm	666 mm	1112 mm	1252 mm

## A készülék csatlakoztatása

A termék beszerelése után hagyja állni 2 óránál hosszabb ideig, mielőtt bekapcsolja a készüléket, különben csökken a hűtési teljesítmény vagy károsodik a termék.



Hagyja a készüléket 24 órán át üresen futni, hogy a rekesz a megfelelő hőmérsékletre lehűljön.



### VIGYÁZAT

A hűtőszekrényt mindig a saját különálló konnektorába kell csatlakoztatni, amelynek feszültségértéke megegyezik a névtáblán feltüntetett feszültséggel.

A készülék elhelyezésekor ügyeljen arra, hogy a tápkábel ne legyen beszorulva vagy megsérülve.

## Környezeti hőmérséklet

Az éghajlati osztálytól függően ez a hűtőszekrény a következő táblázatban megadott környezeti hőmérséklet-tartományban használható.

Előfordulhat, hogy a termék nem működik megfelelően a megadott tartományon kívüli hőmérsékleten.

Az éghajlati osztály a termék címkéjén található.

Klímaosztály	Környezeti hőmérséklet
SN	+10 °C és +32 °C között
N	+16 °C és +32 °C között
ST	+16 °C és +38 °C között
T	+16 °C-tól +43 °C-ig

Ha bármilyen kételye van a beszereléssel kapcsolatban, forduljon az eladóhoz, ügyfélszolgálatunkhoz vagy a legközelebbi hivatalos szervizközpontoz.

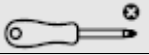


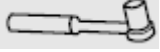


### FIGYELEM

A hűtőszekrény hűtési teljesítményét és energiafogyasztását befolyásolhatja a környezeti hőmérséklet, az ajtónyitás gyakorisága és a hűtőszekrény elhelyezése. Javasoljuk, hogy a hőmérséklet-beállításokat a szükségleteknek megfelelően módosítsa.

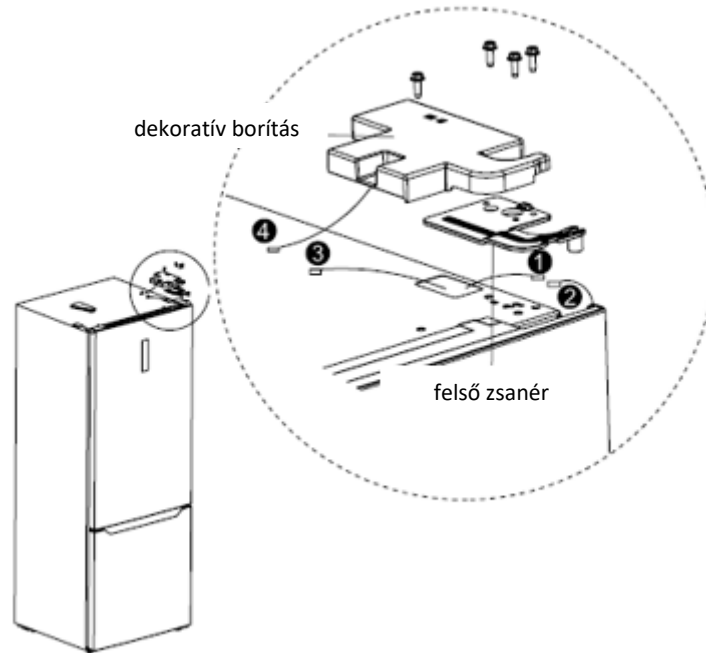
## Ajtó megfordíthatósága

A felhasználó által biztosítandó eszközök listája:

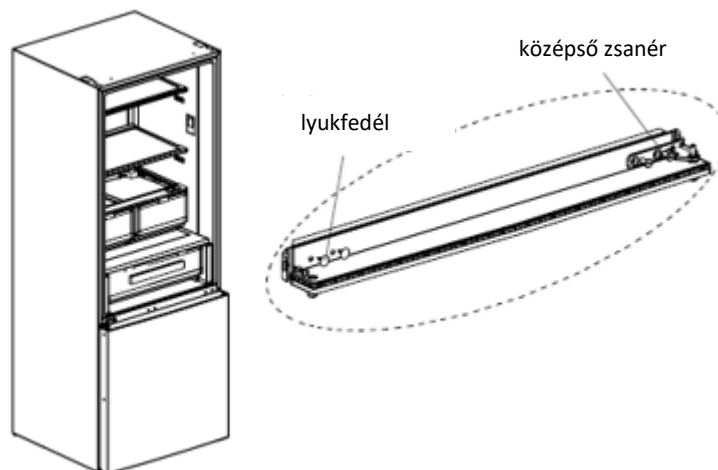
	Keresztes csavarhúzó
	Gyurmakés/vékony pengéjű csavarhúzó
	Maszkolószalag
	5/16" dugókulcs

1. Kérjük, a művelet elvégzése előtt kapcsolja ki a készüléket. Távolítsa el minden élelmiszert az ajtópolcokról.

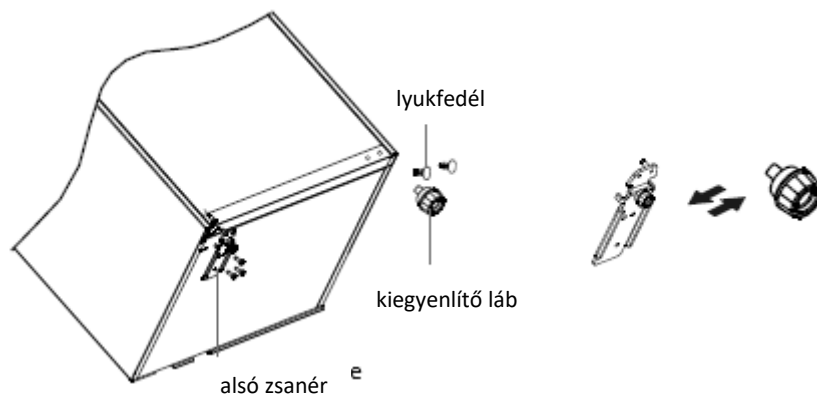
2. Távolítsa el a díszítőfedelet, a zsanérfedelet, a felső zsanért és a csavarokat. Csatlakoztassa le a jobb felső jelvezetékét (jelvezeték 1. és 2. csatlakozója) és a jelvezetékét (jelvezeték 3. és 4. csatlakozója).



3. Távolítsa el a hűtőrekesz ajtaját, a középső zsanért (a középső zsanércsavar eltávolításához használjon imbuszkulcsot), és a másik oldalon lévő lyukfedelet.



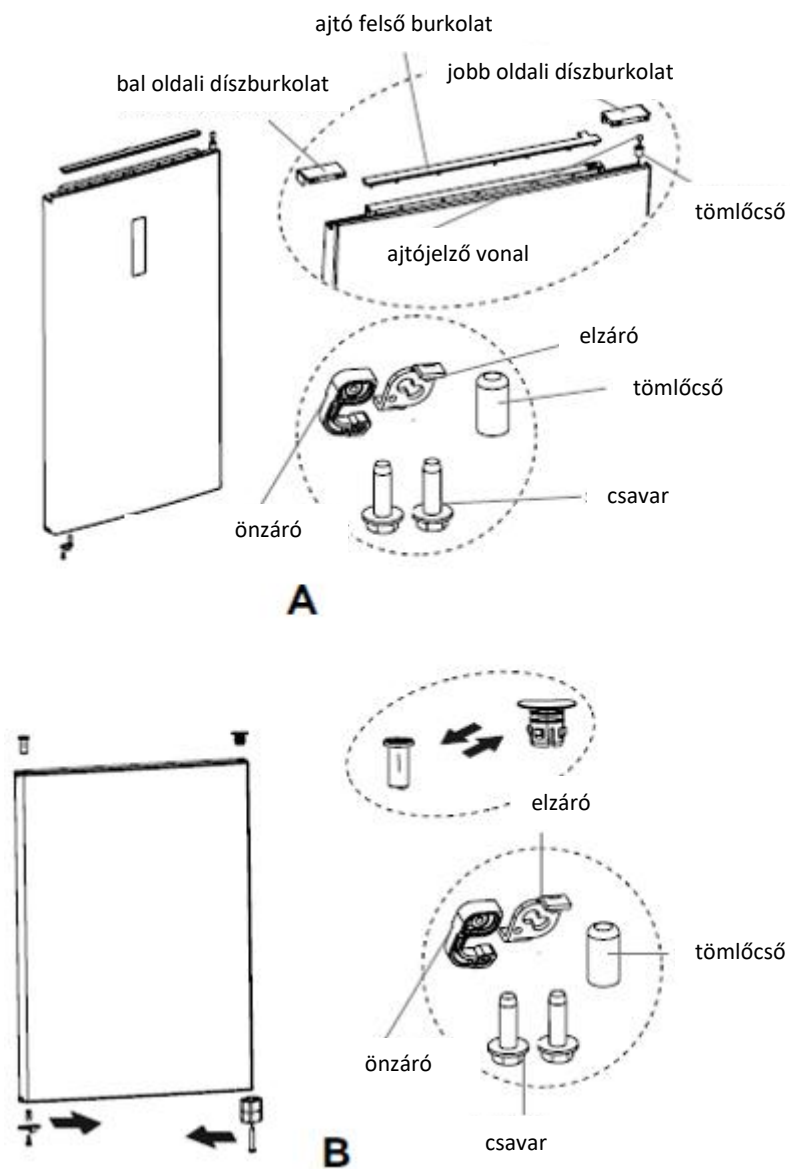
4. Vegye ki a fagyasztótér ajtaját, szerelje le az alsó zsanért, a lyukfedőket és a kiegyenlítő lábakat. Szerelje fel az alsó zsanér tengelyét a másik oldalra, és rögzítse az alsó zsanért a másik oldalra.



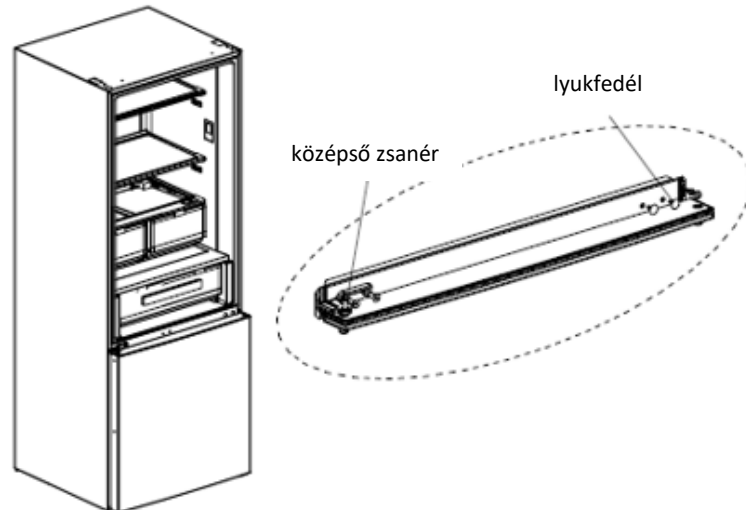
5. A. Távolítsa el a hűtőrekesz ajtajának felső fedelét és a bal oldali díszítőfedelet. Szerelje fel a felső zsanérhüvelyt és az ajtójelző vonalat a másik oldalra, majd szerelje vissza a felső ajtófedelet. Szerelje le a hűtőtér ajtajának ütközőjét, önzáró mechanizmusát és hüvelycsövét. Vegye ki a hűtőrekesz

ajtájának bal oldali önzáró mechanizmusát és a jobb oldali díszburkolatot a tartozéktáskából. Szerelje össze a hüvelycsövet, a bal oldali önzáró mechanizmust és a dugót az ajtó bal alsó részén csavarok segítségével, majd szerelje fel a jobb oldali díszburkolatot.

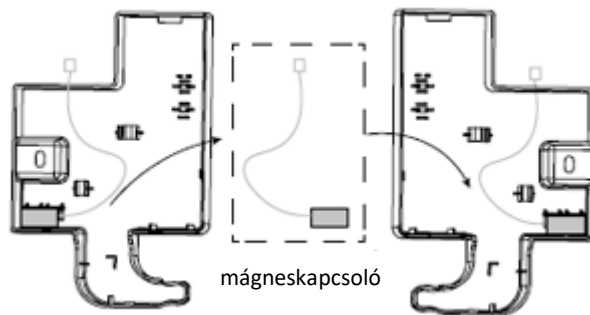
B. Távolítsa el a dugót és a tömlőcsövet a fagyasztórekesz ajtajának jobb alsó részéből. Szerelje össze a hüvelycsövet, a bal oldali önzáró mechanizmust és a dugót az ajtó bal alsó részén a csavarok segítségével.



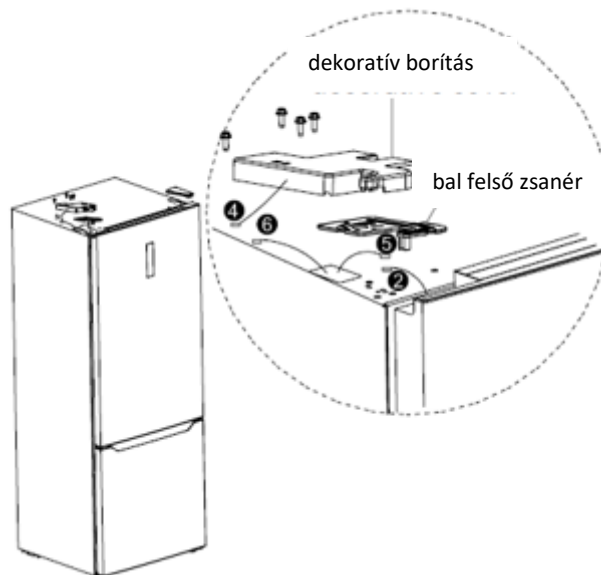
6. Helyezze a fagyasztórekesz ajtaját az alsó zsanérra, és szerelje fel a középső zsanért és a furatsapkákat.



7. Vegye le a mágneskapcsolót a jobb zsanérfedélről, és szerelje fel a bal zsanérfedélre.



8. Vegye ki a bal felső zsanért a tartozéktáskából, helyezze az ajtótestet a középső zsanérra, és szerelje be a bal felső zsanért. Csatlakoztassa a hűtőszekrény tetején lévő 5. jelvezetékét az ajtón lévő 2. jelvezetékhez. Csatlakoztassa a 4. jelkábelt a 6. jelkábelhez, majd szerelje fel a bal oldali zsanérfedelelet és a dekoratív fedelet.



#### FIGYELEM

**Különbségek:** A műszaki változások és a modellek közötti eltérések miatt a jelen kézikönyvben található illusztrációk némelyike eltérhet az Ön konkrét modelljétől.



## Szintező lábak

A vibráció elkerülése érdekében a készüléket ki kell szintezni.

Szükség esetén állítsa be a kiegyenlítő lábakat az egyenetlen padló kiegyenlítésére.

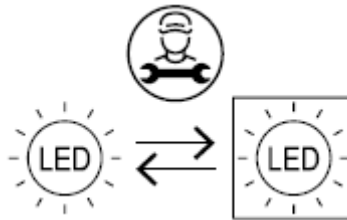
Az elülsőnek kissé magasabbnak kell lennie, mint a hátsónak, hogy segítse az ajtó becsukódását.

A kiegyenlítő lábak a szekrény enyhe megdöntésével könnyen elfordíthatók.

A szintező lábakat az óramutató járásával ellentétes irányba  a készülék megemeléséhez, az óramutató járásával megegyező irányba  a készülék leengedéséhez fordítsa el.

## A LED-fény cseréje

A LED-lámpák cseréjét vagy karbantartását a gyártónak, annak szervizügynökének vagy hasonlóan képzett személynek kell elvégeznie.



Ez a termék F energiahatékonysági osztályú fényforrást tartalmaz a fagyasztórekeszben.

Ez a termék G energiahatékonysági osztályú fényforrást tartalmaz a hűtőtérben.

## A készülék áthelyezése

1. Távolítsa el minden tárgyat a készülékből.
2. Húzza ki a hálózati csatlakozót, dugja be és rögzítse a készülék hátulján vagy tetején lévő hálózati csatlakozóhorogba.
3. Ragassza le az olyan részeket, mint a polcok és az ajtó, hogy megakadályozza a leesést a készülék mozgatása közben.
4. A készüléket kettőnél több emberrel együtt óvatosan mozgatja. Ha a készüléket hosszabb távolságra szállítja, tartsa a készüléket függőlegesen.

## Tipppek az energiatakarékossághoz

Ne helyezze a készüléket tűzhelyek, radiátorok vagy más hőforrások közelébe. Ha a környezeti hőmérséklet magas, a kompresszor gyakrabban és hosszabb ideig fog működni, ami megnövekedett energiafogyasztást eredményez.

Biztosítsa a megfelelő szellőzést a készülék alján, a készülék oldalain és a készülék hátulján.

Kérjük, vegye figyelembe a "Beépítés" fejezetben megadott távolsági méreteket is.

A fiókok, polcok és tálcák termékismertetőben bemutatott elrendezése biztosítja a leghatékonyabb energiafelhasználást, és ezt a lehető legnagyobb mértékben meg kell tartani.

Nagyobb tárolóhely kialakításához (pl. nagyméretű hűtött/fagyasztott áruk számára) a középső fiókok és polcok eltávolíthatók. A felső és alsó fiókokat és polcokat szükség esetén utoljára kell eltávolítani.

Az egyenletesen töltött hűtő/fagyasztó rekesz hozzájárul az optimális energiafelhasználáshoz.

Hagyja a meleg ételt kihűlni, mielőtt a hűtőszekrénybe/fagyasztórekeszbe helyezné. A már lehűlt élelmiszerek növelik az energiahatékonyságot.

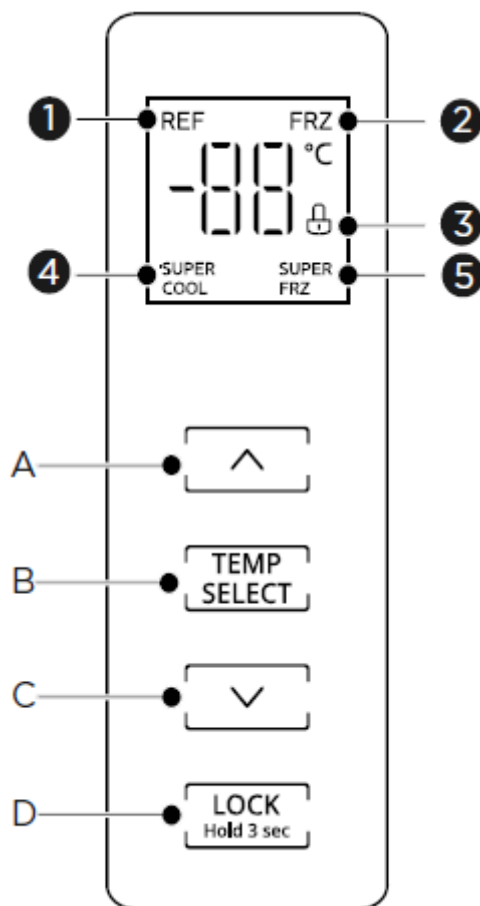
Hagyja a fagyasztott élelmiszereket kiolvadni a hűtőtérben. A fagyasztott élelmiszerek kihűlése csökkenti a hűtőtér energiafogyasztását, és így növeli az energiahatékonyságot.

A hidegvesztés minimalizálása érdekében csak a szükséges ideig nyissa ki az ajtót. Az ajtó rövid időre történő kinyitása és megfelelő becsukása csökkenti az energiafogyasztást.

A hőmérsékletnek a szükségesnél nem hidegebbre állítása hozzájárul az optimális energiafelhasználáshoz.

A készülék ajtótomítéseinak tökéletesen épek kell lenniük, hogy az ajtók megfelelően záródjanak, és az energiafogyasztás ne növekedjen feleslegesen.

## 6. VEZÉRLŐ PANEL



### Kijelző képernyő

1. Hűtőrekesz hőmérséklete
2. A fagyosztórekesz hőmérséklete
3. Zár/feloldás
4. Szuper menő
5. Szuper fagyasztás

### Működési gombok

- A. Hőmérséklet felfelé
- B. Hőmérséklet rekesz kiválasztása
- C. Hőmérséklet lefelé
- D. Zár/feloldás



### FIGYELEM

A tényleges kezelőpanel a modelltől függően változhat. A vezérlőpanel automatikusan kikapcsol az energiatakarékosság érdekében.

## Hőmérséklet beállítása

### A hűtőtér hőmérsékletének beállítása

- Nyomja meg a "TEMP SELECT" gombot a beállított hűtőtér hőmérsékletének megváltoztatásához, és a "REF" ikon jelenik meg.
- A "▲" vagy "▼" gomb minden egyes megnyomásával a beállított hőmérséklet 1 °C-kal nő vagy 1 °C-kal csökken. A hőmérséklet-beállítás a kijelzőpanel lezárása után lesz aktív.
- A hűtőtérben a hőmérséklet beállítási tartománya 2 °C ~ 8 °C.
- Nyomja meg a hőmérsékleti zóna kiválasztó gombot a hűtési hőmérsékleti zóna kiválasztásához. Ezután tartsa lenyomva a hőmérsékleti zóna kiválasztó gombot 3 másodpercig, amíg három hangjelzést nem hall, hogy belépjen a hűtés kikapcsolási állapotába. Ekkor a digitális kijelzőn " - - " jelenik meg.
- A hűtés leállítási állapotában nyomja meg a hőmérsékletzóna kiválasztó gombot a hűtési hőmérsékletzóna kiválasztásához. Ezután a hűtés leállítási állapotból való kilépéshez tartsa lenyomva a hőmérsékleti zóna kiválasztó gombot 3 másodpercig, amíg három hangjelzést nem hall. A digitális kijelző visszatér a normál hőmérséklet-kijelzésre, és a hűtőtér alapértelmezett hőmérséklete 5 °C-ra áll be, normál üzemmódba lépve.

### A fagyasztórekesz hőmérsékletének beállítása

- Nyomja meg a "TEMP SELECT" gombot a beállított fagyasztórekesz hőmérsékletének megváltoztatásához, és megjelenik az "FRZ" ikon.
- A "▲" vagy "▼" gomb minden egyes megnyomásával a beállított hőmérséklet 1 °C-kal nő vagy 1 °C-kal csökken. A hőmérséklet-beállítás a kijelzőpanel lezárása után lesz aktív.
- A fagyasztórekesz hőmérsékleti beállítási tartománya -24°C ~ -16°C.

## Funkciók

### Zár/Kinyit


Ha a kezelőpanel nincs lezárva, nyomja meg és tartsa lenyomva 3 másodpercig a "LOCK Hold 3 sec" gombot a zárfunkció "🔒" aktiválásához. Ha a kezelőpanel le van zárva, nyomja meg és tartsa lenyomva 3 másodpercig a "LOCK Hold 3 sec" gombot a "🔓" feloldásához. Az összes alábbi funkció csak akkor használható, ha a kezelőpanel nincs reteszelve.

### "Super Cool" üzemmód

- Amikor a hűtőtér hőmérséklete 2 °C-ra van beállítva, nyomja meg a hőmérsékletcsökkentő gombot "▼" a "Super Cool" funkció aktiválásához. A "SUPER COOL" ikon világít, és a kezelőpanel lezárása után a "Super Cool" funkció aktiválódik.
- A "Super Cool" funkció automatikusan kikapcsol 6 óra elteltével vagy a hőmérséklet-emelő gomb "▲" megnyomásával.

### "Super Freeze" üzemmód

- Ha a fagyasztórekesz hőmérséklete -24 °C-ra van beállítva, nyomja meg a hőmérsékletcsökkentő gombot "▼" a "Super Freeze" üzemmód aktiválásához. A "SUPER FRZ" ikon világít, és a kezelőpanel lezárása után aktiválódik a "Super Freeze" funkció.

- A "Super Freeze" üzemmód automatikusan kikapcsol 40 óra elteltével vagy a hőmérséklet-emelő gomb " " megnyomásával.
- Javasoljuk a "Super Freeze" üzemmód aktiválását 12 órával azelőtt, hogy nagyobb mennyiségű fagyasztott élelmiszert helyezne a fagyasztórekeszbe.

**Megjegyzés:** A gyorsfagyasztás funkció célja, hogy a lehető legrövidebb idő alatt lefagyasztva megőrizze a fagyasztóban lévő élelmiszerek tápértékét. Ha egyszerre nagy mennyiségű élelmiszert kell lefagyasztani, akkor ajánlott, hogy a felhasználó aktiválja a gyorsfagyasztás funkciót, mielőtt az élelmiszert beleteszi. Ez idő alatt a fagyasztórekesz fagyasztási sebessége megnő, így az élelmiszer gyorsan megfagy, hatékonyan zárva tápanyagtartalmát, és kényelmesebbé téve a tárolást.

### Ajtónyitási riasztás funkció

Ha az ajtó 120 másodpercnél tovább marad nyitva, a készülék két figyelmeztető hangjelzést ad, majd percnként egy figyelmeztető hangjelzést. A figyelmeztető hangjelzés leállításához nyomja meg röviden bármelyik gombot. Ez a figyelmeztető funkció nem törölhető, ezért kérjük, hogy minél hamarabb zárja be az ajtót.

## Hibakód

A kijelzőn megjelenő alábbi figyelmeztetések a készülék hibáit jelzik. Még ha a készülék hiba esetén le is hűl, a felhasználónak a készülék optimális működésének biztosítása érdekében fel kell vennie a kapcsolatot egy szakképzett szerviztechnikus szakemberrel.

Hibakód	Hiba leírása
E1	A hűtőtér hőmérséklet-érzékelőjének hibája
E2	A fagyasztótér hőmérséklet-érzékelőjének hibája
E3	A hűtőtér hőmérséklet-érzékelőjének hibája
E5	A fagyasztó leolvasztási érzékelőjének hibája
E6	Kommunikációs hiba a fő vezérlőpanel és a kijelzőpanel között
E7	Környezeti hőmérséklet-érzékelő hibája

## 7. ÉLELMISZER TÁROLÁSA

### Fagyasztórekesz

A fagyasztórekesz az élelmiszerek alacsony hőmérsékleten történő fagyasztására, a fagyasztott élelmiszerek hosszú távú tárolására és jégkockák készítésére szolgál.

Figyeljen a fagyasztórekeszben található csillagosztályokra (4 csillagos, 2 csillagos és 1 csillagos) és a fagyasztott élelmiszerek tárolási idejére.

Ne helyezzen egymás mellé friss és fagyasztott élelmiszereket. A fagyasztott élelmiszer felolvadhat.

Ha nagy mennyiségű friss élelmiszert (például húst, halat vagy darált húst) fagyaszt, ossza azt több kis darabra, mielőtt a fagyasztóba teszi, hogy gyorsan megfagyjon és könnyen kivehető legyen.

Tartsa be az élelmiszer gyártója által a csomagoláson ajánlott tárolási időt; ha a csomagoláson nincs információ, az élelmiszereket a vásárlástól számított három hónapnál tovább nem szabad fagyasztva tárolni. Ha fagyasztott élelmiszert vásárol, győződjön meg róla, hogy azt megfelelő hőmérsékleten fagyasztották le, és hogy a csomagolás nem sérült.

A fagyasztott élelmiszereket megfelelő egyedi csomagolásban kell tárolni, hogy a szomszédos élelmiszerek ne szennyeződjenek. A felolvasztott és kiolvasztott élelmiszereket azonnal fogyassza el, ne fagyassza vissza. Hosszabb áramkimaradás vagy a készülék meghibásodása esetén vegye ki a tárolt fagyasztott élelmiszert, és ellenőrizze, hogy az még ehető-e, majd tárolja megfelelően hűvös helyen vagy egy másik készülékben.

Az ételek felolvasztásához vegye ki azokat a fagyasztóból, és hagyja felolvadni szobahőmérsékleten vagy a hűtőszekrényben. Az élelmiszerek gyors kiolvasztásához használhatja például a mikrohullámú sütő kiolvasztási funkcióját.

Ha csak egy csomag egy részét szeretné kiolvasztani, vegye ki a szükséges adagot, és azonnal zárja le a csomag többi részét. Ez megakadályozza a fagyasztóban való leégést, és csökkenti a jégképződést az élelmiszer többi részén.

## Hűtőrekesz

A nedvesség és a későbbi jégképződés csökkentése érdekében soha ne tegyen folyadékokat a hűtőszekrénybe lezártan edényekben.

A fagy hajlamos a párologtató leghidegebb részein koncentrálni. A folyadékok fedetlen tárolása gyakoribb leolvasztást eredményez.

Soha ne tegyen forró ételt a hűtőszekrénybe. Mielőtt a hűtőszekrénybe helyezné őket, hagyja őket szobahőmérsékletűre hűlni, hogy a megfelelő légkeringést biztosítsa.

Az élelmiszerek vagy az élelmiszer-tartályok nem érhetnek a hűtőszekrény hátuljához, mert odafagyhatnak a falhoz. Ne nyissa ki rendszeresen a hűtőszekrény ajtaját.

A húsok és a tiszta halak (csomagolva vagy műanyagba csomagolva) 1-2 napig a hűtőszekrényben tárolhatók. A csomagolatlan gyümölcsök és zöldségek a friss gyümölcs- és zöldségrészlegben helyezhetők el.

## Hűtőrekesz

Alkalmas friss hal, friss hús, friss élelmiszerek stb. rövid távú (1-3 nap) tárolására.

A fiók hátsó és alsó része közelében az ételek kissé megfagyhatnak. Ezekre a területekre nem szabad olyan élelmiszereket helyezni, amelyek nem fagyhatnak meg.



### FIGYELEM

A túl sok élelmiszer tárolása a működés során a kezdeti áramellátáshoz való csatlakoztatás után kedvezőtlenül befolyásolhatja a hűtőszekrény fagyasztási hatását.

## A tárolási időkre vonatkozó ajánlások

Miután csatlakoztatta a készüléket az elektromos hálózathoz, várjon 2-3 órát, mielőtt ételt tesz a készülékbe. Ha az ételt a készülék lehűlése előtt teszi be, fennáll a veszélye, hogy az étel megromlik.

Megjegyzés: A túl hosszú tárolás vagy a nem megfelelő fagyasztási hőmérsékleten történő tárolás minőségromlást vagy romlott élelmiszereket okozhat, ami élelmiszerpazarláshoz vezet, ehetetlen és ételmérgezést okozhat. A minimális hőmérsékletnek a legtöbb esetben  $-18\text{ °C}$ -nak vagy ennél hidegebbnek kell lennie.

Megrendelés	TÁRGYAK TÍPUS	Cél tárolási hőmérséklet. [ °C	Megfelelő élelmiszer
1	Hűtőszekrény	$+2\leq+6$	Tojás, főtt ételek, csomagolt élelmiszerek, gyümölcsök és zöldségek, tejtermékek, sütemények, italok és egyéb élelmiszerek nem alkalmasak fagyasztásra.
2	(***)*-Fagyasztó	$\leq-18$	Tenger gyümölcsei (halak, garnélarák, kagylók), édesvízi vízi termékek és hústermékek (3 hónapig ajánlott, minél hosszabb a tárolási idő, annál rosszabb az íz és a tápérték), alkalmas fagyasztott friss élelmiszerekhez.

3	***-Fagyasztó	$\leq -18$	Tenger gyümölcsei (halak, garnélarák, kagylók), édesvízi vízi termékek és húskészítmények (3 hónapig ajánlott, minél hosszabb a tárolási idő, annál rosszabb az íz és a minőség. táplálkozás), nem alkalmasak fagyasztott friss élelmiszerekhez.
4	** -Fagyasztó	$\leq -12$	A tenger gyümölcsei (halak, garnélarák, kagylók), édesvízi vízi termékek és hústermékek (2 hónapig ajánlott, minél hosszabb a tárolási idő, annál rosszabb az íz és a tápanyagtartalom), nem alkalmasak fagyasztott friss élelmiszereknek.
5	*-Fagyasztó	$\leq -6$	A tenger gyümölcsei (halak, garnélarákok, kagylók), édesvízi vízi termékek és hústermékek (1 hónapig ajánlott, minél hosszabb a tárolási idő, annál rosszabb az íz és a tápanyagtartalom), nem alkalmasak fagyasztott friss élelmiszerekhez.
6	0-csillagos	$-6 \leq 0$	Friss sertéshús, marhahús, hal, csirke, néhány csomagolt feldolgozott élelmiszer stb. (Ajánlott ugyanazon a napon belül elfogyasztani, lehetőleg 3 napnál nem tovább). Részben kapszulázott feldolgozott élelmiszerek (nem fagyasztható élelmiszerek)
7	Chill	$-2 \leq +3$	Friss/fagyasztott sertéshús, marhahús, csirke, édesvízi vízi termékek stb. (7 napig $0^{\circ}\text{C}$ alatt és $0^{\circ}\text{C}$ felett ajánlott az adott napon belüli fogyasztás, lehetőleg legfeljebb 2 napig). Tenger gyümölcsei (0 alatt 15 napig, $0^{\circ}\text{C}$ felett nem ajánlott tárolni).
8	Friss élelmiszer	$0 \leq +4$	Friss sertéshús, marhahús, hal, csirke, főtt étel stb. (Ajánlott ugyanazon a napon belül elfogyasztani, lehetőleg 3 napnál nem tovább).
9	Bor	$+5 \leq +20$	Vörösbor, fehérbor, pezsgő stb.

## 8. KARBANTARTÁS ÉS TISZTÍTÁS



### VIGYÁZAT

A rutinszerű karbantartási munkálatok elvégzése előtt válassza le a készüléket az elektromos hálózatról. A készülék újraindítása előtt várjon legalább 5 percet, mivel a gyakori indítás károsíthatja a kompresszort.

A leolvasztási folyamat felgyorsítására ne használjon a gyártó által javasoltaktól eltérő mechanikus eszközöket vagy más eszközöket.

Ne próbálja meg saját maga megjavítani, szétszerelni vagy módosítani a készüléket. Javítás esetén forduljon szervizünkhöz.

A tűzveszély és a megnövekedett energiafogyasztás megelőzése érdekében évente legalább egyszer távolítsa el a port a készülék hátuljáról.

Rendszeresen ellenőrizze az ajtó tömítést, hogy az mentes legyen a törmeléktől. Tisztítsa meg az ajtó tömítést szappanos vízzel vagy hígított mosószerrel megnedvesített puha ruhával.

A termék belsejét rendszeresen tisztítani kell a szagok elkerülése érdekében.

Egy puha ruhával vagy szivaccsal tisztítsa meg a termék belsejét két evőkanál szóda bikarbónával és egy liter meleg vízzel. Öblítse le vízzel, és törölje tisztára.

Tisztítás után nyissa ki az ajtót, és hagyja, hogy a készülék természetes módon megszáradjon, mielőtt bekapcsolja.

A termék nehezen tisztítható területein (például szűk helyeken, résekben vagy sarkokban) ajánlott rendszeresen áttörölni egy puha ruhával, puha kefével stb.

és szükség esetén néhány segédeszközzel (például vékony pálcikával) kombinálva, hogy ezeken a területeken ne halmozódjon fel szennyeződés vagy baktérium.

Törölje át a termék külső felületét szappanos vízzel, mosószerrel stb. megnedvesített puha ruhával, majd törölje szárazra.

Ne használjon kemény keféket, tiszta acélgolyókat, drótkeféket, csiszolóanyagokat (pl. fogkrém), szerves oldószereket (pl. alkohol, acetón, izoamil-acetát stb.), forró vizet, savas vagy lúgos anyagokat, amelyek károsíthatják a hűtőszekrény felületét és belsejét. A forrásban lévő víz és a szerves oldószerek, mint például a benzol, deformálhatják vagy károsíthatják a műanyag alkatrészeket.



A tisztítás során ne öblítse a készüléket közvetlenül vízzel vagy más folyadékkal, hogy elkerülje a rövidzárlatot vagy az elektromos szigetelés károsodását.



#### FIGYELEM

Javasoljuk, hogy a készüléket bekapcsolás után hagyja folyamatosan futni. Általános szabály, hogy a készülék működését nem szabad megszakítani, hogy ne befolyásolja az élettartamát.

## Leolvasztás

Bár ez a készülék automatikusan leolvaszt, a fagyasztórekesz belső falain fagyréteg képződhet, ha a fagyasztó ajtaját gyakran nyitja ki, vagy túl sokáig nyitva hagyja. Ha a fagy túl vastag lesz, válasszon egy olyan időpontot, amikor az élelmiszer-készlet kevés, és járjon el az alábbiak szerint:

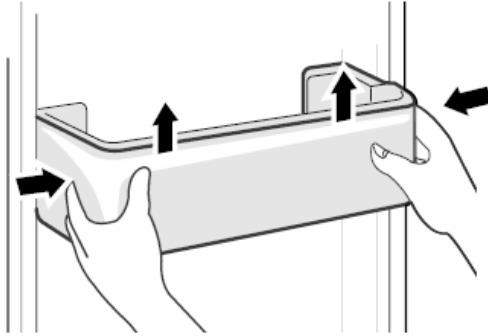
1. Távolítsa el a megmaradt étel- és tartozékosarokat, húzza ki a készüléket a hálózathoz, és hagyja nyitva az ajtókat. A felolvasztási folyamat felgyorsítása érdekében alaposan szellőztesse át a helyiséget.
2. Ha a leolvasztás befejeződött, tisztítsa meg a fagyasztót a fent leírtak szerint.

**Vigyázat!** Ne használjon éles tárgyakat a fagyasztóból való fagy eltávolításához. Csak akkor kapcsolja vissza a készüléket és dugja be a hálózati aljzatba, ha a belső tér teljesen megszáradt.

## Az ajtótalca tisztítása

Az alábbi ábrán látható irányjelző nyilnak megfelelően mindkét kezével szorítsa össze a tálcát, és tolja felfelé, majd vegye ki.

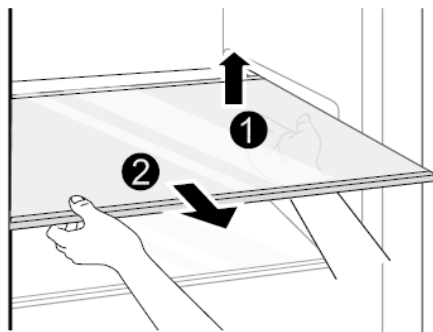
Miután a tálcát kimosták, a beszerelési magasságát az Ön igényeinek megfelelően állíthatja be.



## Az üvegpolc tisztítása

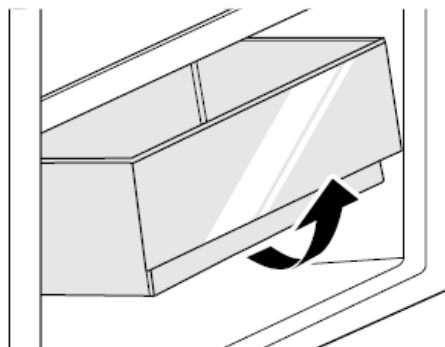
Mivel a hűtőszekrény bélésének legbelső része, ahol a polcokkal érintkezik, hátsó ütközővel rendelkezik, a polcokat felfelé kell emelnie, majd ki tudja venni.

Állítsa be vagy tisztítsa meg a polcokat az Ön igényei szerint.



## A zöldséges fiók tisztítása

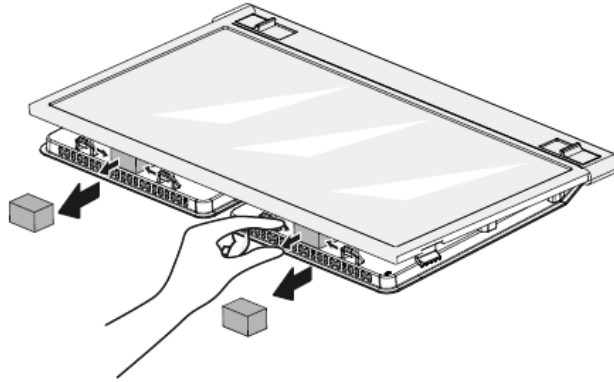
Távolítsa el a fiók tartalmát. Fogja meg a zöldségágyasztó fogantyúját, és húzza ki teljesen, amíg meg nem áll. Emelje fel a zöldségágyasztót, és húzza ki.



## Hogyan lehet kivenni a gyöngyház pamutblokkot a párasító polc alkatrészeinek belsejéből?

Gyöngypamutot használnak a páratartalom-szabályozó polc és a nedvességálló borítás elválasztására (a nedvességálló borítás szállítás közbeni leesésének megakadályozására). Kicsomagolás után a felhasználónak el kell távolítania ezt a gyöngyvattát a nedvességtartó polcgyűlésekről.

Eltávolításához fogja meg kézzel a gyöngyvattát mindkét oldalán, és húzza erősen, amíg a gyöngyvattát teljesen le nem választja a nedvességtartó polcegységről.



### FIGYELEM

Különbségek: A műszaki változások és a különböző modellek miatt a jelen kézikönyvben található illusztrációk némelyike eltérhet az Ön modelljétől.

## 9. HIBAEELHÁRÍTÁS

A következő egyszerű kérdéseket a felhasználó is kezelheti. Ha a problémák nem oldódnak meg, kérjük, hívja az értékesítés utáni szervizt.

Probléma	Lehetséges okok	Megoldás
A készülék nem működik.	A tápegység nincs bekapcsolva, és a dugó nincs szilárdan behelyezve. Alacsony feszültség, áramkimaradás vagy az áramkör egy része kioldott.	Dugja be erősen a tápkábel dugóját. Ellenőrizze az otthoni áramellátást.
A lámpa nem ég	A készülék nincs bekapcsolva. A lámpa elromlott.	Húzza ki és dugja vissza a tápkábelt. Cserélje ki a lámpát egy újjal.
A gyümölcsök vagy zöldségek fagyasztva vannak	Az élelmiszereket a hűtőszekrény hátsó részében helyezték el? A hátsó falhoz közeli területen a leghidegebb a hőmérséklet. A gyümölcsöket vagy zöldségeket a Fresh/Chill zónában tárolja.	Ne helyezzen olyan élelmiszereket, amelyek könnyen megfagyhatnak a hűtőrekesz hátsó részében. A Fresh/Chill zóna csak húсок/halak számára használható.
A hűtőszekrény/fagyasztó túlhűl	A hőmérséklet-szabályozás nincs megfelelően beállítva.	Állítsa magasabbra a hőmérsékletet.
Hosszú ideig működő kompresszor	A magas környezeti hőmérséklet hosszú munkaidőt okoz. Egyszerre túl sok ételt tesz be. Az étel beletöltése, mielőtt lehűlne. Az ajtó túl gyakori kinyitása. Túl vastag a fagyréteg a belsejében.	Ez normális. Ne tegyen egyszerre túl sok ételt. Várja meg, amíg az étel kihűl, mielőtt beleteszi. Ne nyissa ki túl gyakran az ajtót. Ki kell olvasztani.
Az ajtó nem záródik megfelelően	Az ajtó elakadt a tárgyakkal. Túl sok étel van benne. Az ajtó tömítése deformálódott.	Ne tegyen bele túl sok ételt. Helyezze a készüléket stabilan. Melegítse fel az ajtó tömítést, majd hűtse le a helyreállításhoz (elektromos

		szárítóval vagy meleg vízzel a fűtéshez).
A külső fal forró	Amikor a készülék üzemel, a hő a szekrényben lévő fémcsöveken keresztül távozik kifelé. Nyáron a magasabb környezeti hőmérséklet hatására a külső fal hőmérséklete megemelkedik.	A külső falon a magasabb hőmérséklet normális. Növelje a hőelvezető teret, vagy helyezze a készüléket szellőztetett és hűvös helyre.
A kereszt vagy függőleges gerendák forróak	A gerendák belsejében fémcsövek vannak, és a csövek által kibocsátott hő megakadályozza a kondenzációt.	Ez normális.
Szagok	Romlott étel Erős szagú élelmiszerek A belső rekesz piszkos.	Tisztítsa meg és távolítsa el a romlott élelmiszereket. Győződjön meg róla, hogy az erős szagú élelmiszereket légmentesen becsomagolja. Tisztítsa meg a belső rekeszt.
A tényleges hőmérséklet eltér a beállított hőmérséklettől	Ha meleg ételt teszünk bele, a hőmérséklet átmenetileg megemelkedik. Az új hőmérséklet beállítása után a hőmérséklet egy kis időbe telik, mire a hőmérséklet a rekeszben, hogy elérje a beállított hőmérsékletet, ha az ajtó nincs kinyitva. A hőmérséklet állandósulása után a rekesz különböző helyein a tényleges hőmérsékletek eltérnek egymástól, körülbelül $\pm 3$ °C-os eltéréssel.	Ez normális. Várjon egy kis időt, mielőtt a tényleges hőmérsékletet tesztelné.
Kondenzáció képződik a külső oldalon	Kondenzáció képződhet, ha a helyiségben magas a páratartalom.	Ez normális. Törölje le a páralecsapódást száraz ruhával.
Kondenzáció képződik a hűtőszekrény és a fiókok belsejében	A hűtőszekrény magas páratartalmat tart fenn, hogy a zöldségek és más élelmiszerek frissen maradjanak. A helyiségben túl magas a páratartalom, és az ajtók gyakran nyitva vannak. Az ajtótmítések nem tömörek.	Száraz ruhával törölje le a páralecsapódást. Ne nyissa ki olyan gyakran az ajtókat, vagy ne tartsa őket túl sokáig nyitva. Ellenőrizze az ajtótmítést, tisztítsa meg vagy javítsa ki a helyzetét.
Fagy a szellőzőnyílások körül	Az ajtó nem záródik megfelelően. Az ajtótmítések nem tömörek.	Győződjön meg róla, hogy az élelmiszer nem zárja el az ajtót. Ellenőrizze az ajtótmítést, tisztítsa meg vagy javítsa ki a helyzetét.

Nehéz kinyitni az ajtót	A rekesz belseje és külseje közötti légnyomáskülönbség néha megnehezítheti a fagyasztó ajtajának kinyitását.	Várjon néhány pillanatot, majd próbálja meg lassan kinyitni az ajtót.
-------------------------	--	---

A készülék normál használata során bizonyos zajok hallhatók, amelyek nem befolyásolják a készülék megfelelő működését.

Zajok, amelyek könnyen megelőzhetők:

- A készülék nem vízszintes helyzetéből adódó zaj - állítsa vízszintbe a készüléket az állítható elülső lábak segítségével. Alternatív megoldásként helyezzen puha anyagból készült védőelemeket a hátsó görgők alá, különösen akkor, ha a készüléket csempére helyezi.
- A készülék hozzáér a szomszédos bútorokhoz - helyezze el a készüléket.
- A fiókok vagy polcok nyikorognak - vegye ki és cserélje ki a fiókot vagy polcot.
- Összekoccanó palackok hangja - távolítsa el a palackokat egymástól.

A normál használat során hallható hangokat elsősorban a kompresszor és a hűtőrendszer működése (bekapcsolása) okozza (a hűtőfolyadék áramlása által okozott hőtágulás és összehúzódás a radiátorban).

## ÜGYFÉLSZOLGÁLAT ÉS -GONDOZÁS

Mindig eredeti pótalkatrészeket használjon.

Ha felveszi a kapcsolatot a hivatalos szervizközpontunkkal, gondoskodjon arról, hogy a következő adatok rendelkezésre álljanak: Modell- és sorozatszám.

Az információ a teljesítménytáblán található. Előzetes értesítés nélkül változhat.

## TECHNIKAI ADATOK

A műszaki adatok a készülék belső oldalán található teljesítménytáblán és az energiacímkén találhatóak.

A készülékhez mellékelt energiacímkén található QR-kód egy internetes linket biztosít a készülék teljesítményére vonatkozó információkhoz az EU EPREL adatbázisában.

Az energiacímkét a használati útmutatóval és a készülékhez mellékelt minden más dokumentummal együtt őrizze meg.

Ugyanezek az információk az EPREL-ben is megtalálhatók a <https://eprel.ec.europa.eu> link, valamint a készülék teljesítménytábláján található típusnév és termékszám segítségével.

Az EPREL portálon a termékével kapcsolatos információkhoz az alábbi kódok beolvasásával juthat hozzá:



Köszönjük, hogy megvásárolta ezt a terméket. Ha támogatásra van szüksége a termékkel kapcsolatban, látogasson el weboldalunkra az alábbi linkek segítségével.

**Felhasználói kézikönyvek beszerzése:** <https://www.heinner.ro>

**Szolgáltatással kapcsolatos információk:** <https://www.heinner.ro>

**Környezetbarát ártalmatlanítás**

Ön is segíthet a környezet védelmében!

Kérjük, ne feledje, hogy tartsa be a helyi előírásokat: a nem működő elektromos berendezéseket adja le a megfelelő hulladékkezelő központban.



**A HEINNER a Network One Distribution SRL** bejegyzett védjegye. Más márkák és terméknevek a megfelelő jogosultak védjegyei vagy bejegyzett védjegyei.

A specifikációk semmilyen formában vagy eszközzel nem reprodukálhatók, illetve nem használhatók fel származékos termékek készítésére, például fordításra, átalakításra vagy adaptációra a NETWORK ONE DISTRIBUTION engedélye nélkül.

Copyright © 2013 Network One Distribution. Minden jog fenntartva.

[www.heinner.com](http://www.heinner.com), <http://www.nod.ro>



Ez a termék megfelel az Európai Közösség normáinak és szabványainak.



Importőr: **Network One Distribution**

Marcel Iancu Street, 3-5, Bukarest, Románia

Tel: +40 21 211 18 56, [www.heinner.com](http://www.heinner.com), [www.nod.ro](http://www.nod.ro)