

# REFRIGERATOR

Model:

**HF-M113E++**



- Total capacity: 113 L
- Energy class: E

**HEINNER**

## 1. INTRODUCTION

Please read the instructions carefully and keep the manual for future information.

This manual is designed to give all necessary instructions concerning installation, use and maintenance of the unit. In order to operate the unit correctly and safely, please read this instruction manual carefully before installation and use.

## 2. CONTENT OF YOUR PACKAGE

- ➔ Refrigerator
- ➔ User manual
- ➔ Certificate of warranty





## 3. SAFETY WARNINGS

Before switching on the appliance for the first time, please read the following safety instructions!

This appliance is intended for use in domestic and similar applications such as staff kitchens in shops, offices and other working environments; farmhouses and by customers in hotels, motels and other residential type environments; bed and breakfast type environments; catering and similar non-retail applications.

This appliance is not intended for use by persons (including children) with reduced physical, sensory or mental capabilities, or lack of experience and knowledge, unless they have been given supervision or instruction concerning the use of the appliance by a person responsible for their safety.

### Explanation of terms/symbols

	<b>DANGER</b> This symbol indicates that there are dangers to the life and health of persons due to extremely flammable gas.
	<b>WARNING</b> The signal word indicates a medium hazard which, if not avoided, may result in death or serious injury.
	<b>CAUTION</b> The signal word indicates a low level of risk which, if not avoided, may result in minor or moderate injury.
	<b>ATTENTION</b> The signal word indicates important information (e.g. damage to property), but not danger.

**Important:** Pay particular attention to messages that contain the words **DANGER**, **WARNING** or **CAUTION**. These words are used to alert you to a potential hazard that can seriously injure you and others.

The instructions will tell you how to reduce the chance of injury and let you know what can happen if the instructions are not followed.

**Attention:** These operating instructions are general. This means that certain functions apply to your refrigerator/freezer, while others do not.

We are constantly working on the further development and improvement of our appliance types and models. Therefore, we reserve the right to make changes to the design, equipment and accessories of all types and models without prior notice.

## General safety



### Risk of fire/flammable materials

The refrigerant and cyclopentane foam used in the appliance are flammable. Therefore, when the appliance is scrapped, it must be kept away from any fire source and recovered by a specialist recovery company with the appropriate qualifications, and not disposed of by incineration, in order to prevent damage to the environment or other harm.



### WARNING

- Children should be supervised to ensure that they do not play with the appliance.
- If the supply cord is damaged, it must be replaced by the manufacturer, its service agent or similarly qualified persons in order to avoid a hazard.
- Do not store explosive substances such as aerosol cans with a flammable propellant in this appliance.
- The appliance must be unplugged after use and before conducting user maintenance on the appliance.
- Keep ventilation openings, in the appliance enclosure or in the built-in structure, clear of obstruction.
- Do not use mechanical devices or other means to accelerate the defrosting process, other than those recommended by the manufacturer.
- Do not damage the refrigerant circuit.
- Do not use electrical appliances inside the food storage compartments of the appliance, unless they are of the type recommended by the manufacturer.
- Please abandon the refrigerator according to local regulators for its use of flammable blowing gas and refrigerant.
- When positioning the appliance, ensure the supply cord is not trapped or damaged.
- Do not locate multiple portable socket-outlets or portable power supplies at the rear of the appliance.
- Do not use extension cords or ungrounded (two prong) adapters.
- To avoid a hazard due to instability of the appliance, it must be fixed in accordance with the instructions.
- The refrigerator must be disconnected from the source of electrical supply before attempting the installation of accessory. Ensure that the power cable is not trapped by the refrigerator. Do not step on the power cable.
- For a freestanding appliance: this refrigerating appliance is not intended to be used as a built-in appliance.

## Daily use



### CAUTION

- Do not pull the power cord when pulling the power plug of the refrigerator. Please firmly grasp the plug and pull it out from the socket directly.
- To ensure safe use, do not damage the power cord or use the power cord when it is damaged or worn.
- Please use a dedicated power socket and the power socket shall not be shared with other electrical appliances.

- The power plug should be firmly contacted with the socket or else fires might be caused.
- Please ensure that the grounding electrode of the power socket is equipped with a reliable grounding line.
- The fridge is only applied with power supply of single-phase alternating current of 220~240V/50Hz.
- Please turn off the valve of the leaking gas and then open the doors and windows in case of leakage of gas and other flammable gases.
- Do not unplug the refrigerator and other electrical appliances considering that spark may cause a fire.
- Do not use electrical appliances on the top of the appliance, unless they are of the type recommended by the manufacturer.
- The gaps between refrigerator doors and between doors and refrigerator body are small, be noted not to put your hand in these areas to prevent from squeezing the finger. Please be gentle when close the refrigerator door to avoid falling articles.
- Do not pick foods or containers with wet hands in the freezing chamber when the refrigerator is running, especially metal containers to avoid frostbite.
- Do not allow any child to get into or climb the refrigerator; otherwise, suffocation or falling injury of the child may be caused.
- Do not place heavy objects on the top of the refrigerator considering that objectives may fall when close or open the door, and accidental injuries might be caused.
- Do not put flammable, explosive, volatile and highly corrosive items in the refrigerator to prevent damages to the product or fire accidents.
- Do not place flammable items near the refrigerator to avoid fires.
- The refrigerator is intended for household use, such as storage of foods; it shall not be used for other purposes, such as storage of blood, drugs or biological products, etc.
- Do not store beer, beverage or other fluid contained in bottles or enclosed containers in the freezing chamber of the refrigerator; or otherwise, the bottles or enclosed containers may crack due to freezing to cause damages.



#### WARNING


**For EU standard:** This appliance can be used by children aged from 8 years and above and persons with reduced physical, sensory or mental capabilities or lack of experience and knowledge if they have been given supervision or instruction concerning use of the appliance in a safe way and understand the hazards involved. Children shall not play with the appliance. Cleaning and user maintenance shall not be made by children without supervision.

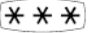
To avoid contamination of food, please respect the following instructions:

- Opening the door for extended periods can cause a significant increase of the temperature in the compartments of the appliance.
- Clean regularly surfaces that can come in contact with food and accessible drainage systems.
- Store raw meat and fish in suitable containers in the refrigerator, so that it is not in contact with or drip onto other food.
- Two-star frozen-food compartments are suitable for storing pre-frozen food, storing or making ice-cream and making ice cubes (Note 1) (\*).
- 1-star, 2-star and 3-star compartments are not suitable for the freezing of fresh food (Note 2) (\*).
- For appliances without a 4-star compartment: this refrigerating appliance is not suitable for freezing foodstuffs (Note 3) (\*).
- If the refrigerating appliance is left empty for extended periods, switch off, defrost, clean, dry, and leave the door open to prevent mould developing within the appliance.

Note 1, 2, 3: Please confirm whether it is applicable according to your product compartment type.

(\*): This feature varies depending on the model purchased.

 "4 star" symbol: Freezer at  $-18\text{ }^{\circ}\text{C}$  or colder, and it has the ability of quick freezing a certain amount of food.

 "3 star" symbol: Freezer compartment at  $-18\text{ }^{\circ}\text{C}$  or colder.

 "2 star" symbol: Freezer compartment at  $-12\text{ }^{\circ}\text{C}$  or colder.

 "1 star" symbol: Freezer compartment with a target temperature and storage conditions of  $-6\text{ }^{\circ}\text{C}$ .



#### CAUTION

This product is not recommended for use with sockets or main switch with the AFCI/ GFCI function, otherwise it may cause false tripping.

1. It may not pose a safety risk when tripped.
2. If tripping persists, it is recommended to replace the sockets or main switch with models not equipped with AFCI/GFCI.



#### WARNING

Risk of child entrapment. Before you throw away your old refrigerator or freezer:

- Take off the doors.
- Leave the shelves in place so that children may not easily climb inside.

## Environmental protection

### Disposing of old electrical devices in an environmentally friendly manner

This crossed-out wheeled bin symbol indicates that waste electrical and electronic products (WEEE) should be disposed of separately from the municipal waste stream.

Old electrical products can contain hazardous substances so correct disposal of your old appliance will help prevent potential negative consequences for the environment and human health. Your old appliance may contain reusable parts that could be used to repair other products, and other valuable materials that can be recycled to conserve limited resources.

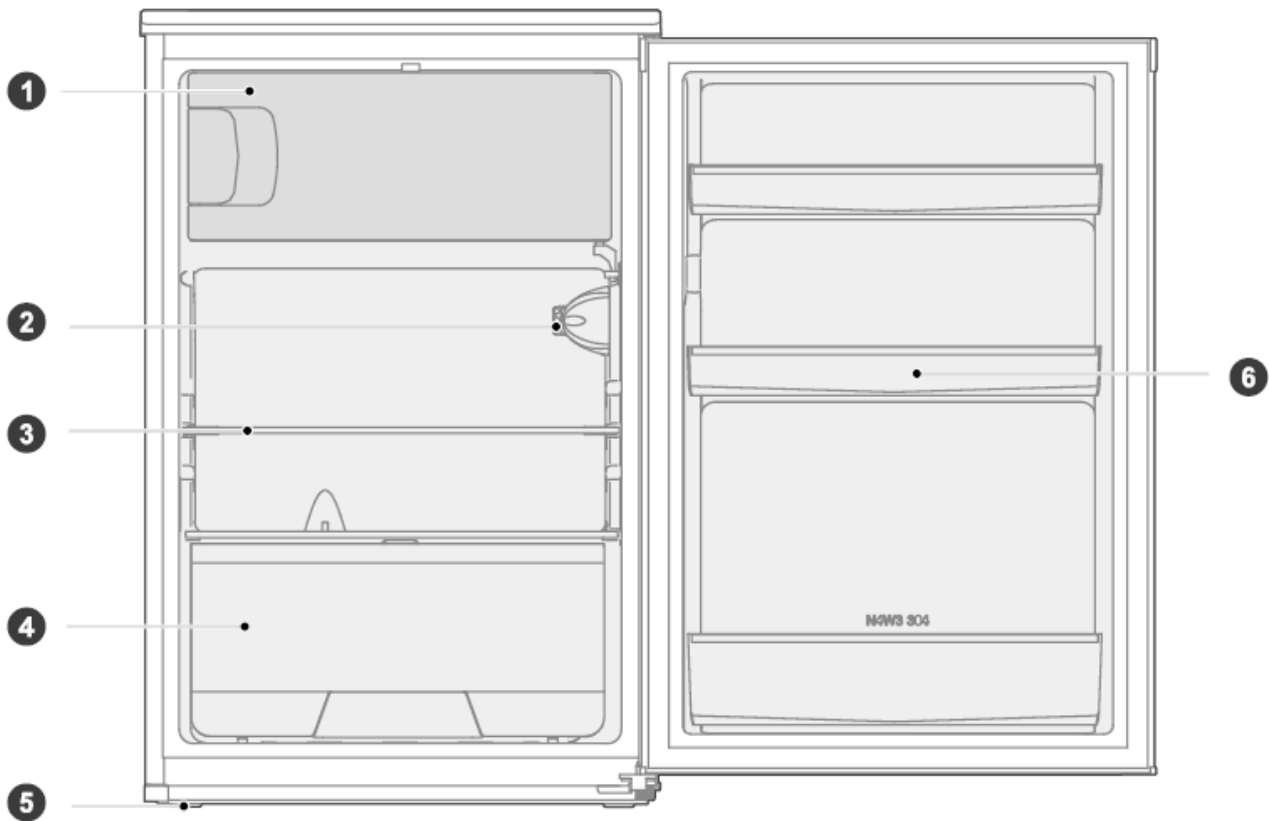


### Package information

Packaging materials of the product are manufactured from recyclable materials in accordance with our National Environment Regulations. Do not dispose of the packaging materials together with the domestic or other wastes. Take them to the packaging material collection points designated by the local authorities.



## 4. PRODUCT DESCRIPTION



1. Small door	4. Fruits and vegetables box
2. Temperature control knob	5. Levelling feet
3. Glass shelf	6. Bottle shelf

For the most efficient use of energy, please keep all internal items such as trays, drawers, shelves, and ice cube tray in the position specified by the manufacturer.

This refrigerator appliance must be installed independently and cannot be used as a built-in appliance. Otherwise, the performance and service life of the appliance will be reduced, and the manufacturer does not provide warranty.



### ATTENTION

**Differences:** Due to technical changes, some of the illustrations in this manual may not accurately reflect the appearance of the actual product.

## 5. INSTALL INSTRUCTIONS

### Before first use

Remove the exterior and interior packing, wipe the outside thoroughly with a soft dry cloth and the inside with a wet, lukewarm cloth.

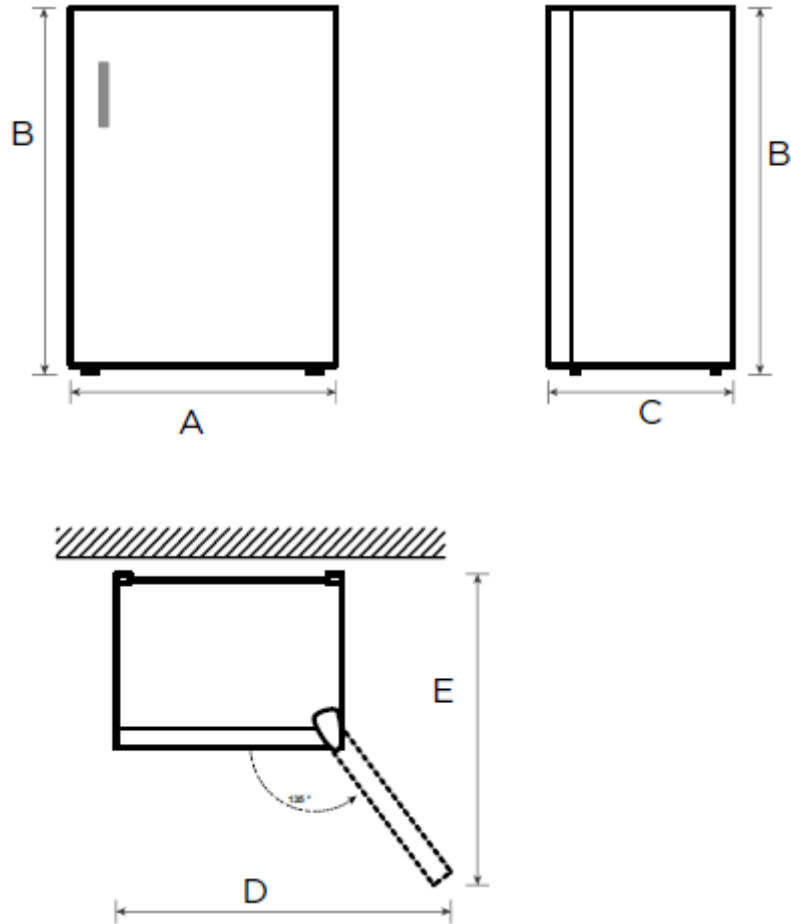
Avoid placing the cabinet in a narrow recess or near any heat source, direct sunlight, or moisture.

Keep the air circulation free around the cabinet. When installing the unit, ensure 10 cm of free space at both sides, 10 cm at the top of the unit, and not more than 10 cm at the rear of the unit.

Before connecting your refrigerator to the power supply, check that the voltage stated on the rating label of your appliance corresponds to the voltage in your home. A different voltage could damage the appliance.

After connecting the appliance to the power supply, wait 2-3 hours before putting food in the appliance. If you put the food in before the appliance has cooled down, there is a risk that the food may spoil. The appliance must be grounded. The manufacturer is not responsible for damages that may occur as a result of usage without grounding.

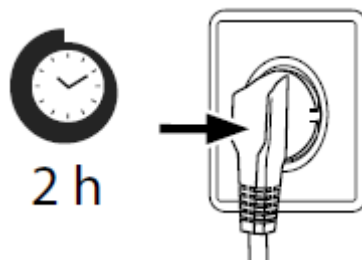
## Space requirement



A	B	C	D	E
553 mm	845 mm	574 mm	935 mm	940 mm

## Connecting the appliance

After installing the product, please let it stay for more than 2 hours before turning on the power, otherwise it will lead to a decrease in cooling capacity or a damage to the product.



Allow the appliance to run empty for 24 hours so the compartment can cool to the appropriate temperature.

**CAUTION**

The refrigerator should always be plugged into its own individual electrical outlet which has a voltage rating that matches the rating plate.

When positioning the appliance, ensure the supply cord is not trapped or damaged.

## Ambient temperature

Depending on the climate class, this refrigerator is intended to be used at an ambient temperature range as specified in the following table.

The product may not operate properly at temperatures outside of the specific range.

You can find the climate class on the product label.

Climate class	Ambient temperature
SN	+10 °C to +32 °C
N	+16 °C to +32 °C
ST	+16 °C to +38 °C
T	+16 °C to +43 °C

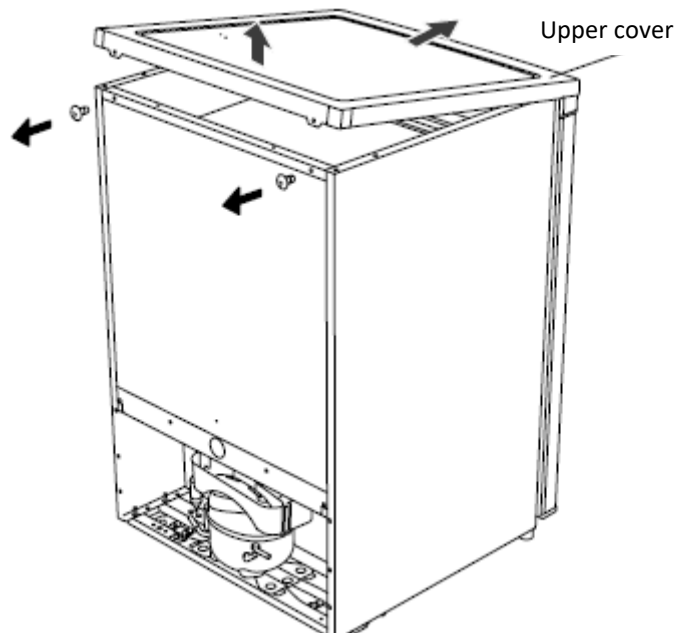
If you have any doubts regarding installation, please turn to the vendor, to our customer service or to the nearest Authorised Service Centre.

**ATTENTION**

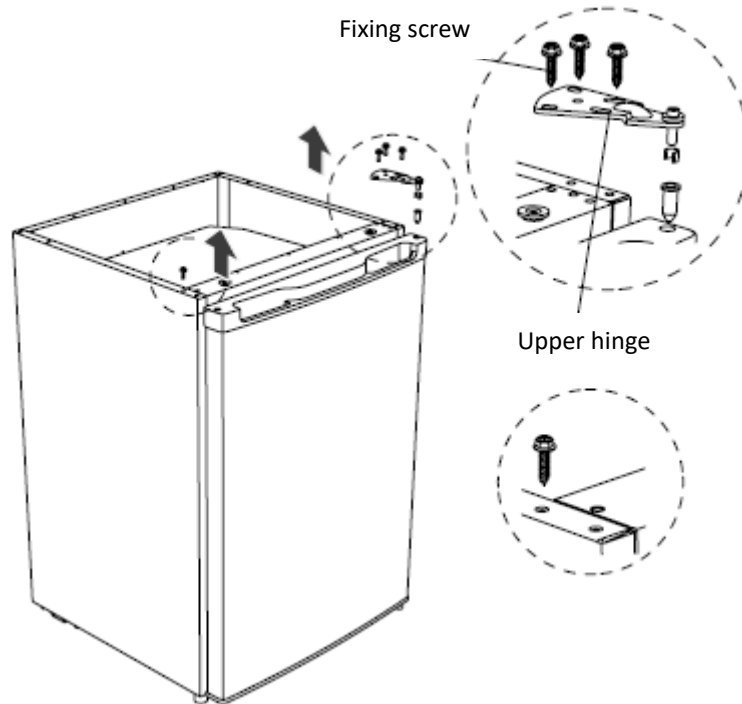
The cooling performance and power consumption of the refrigerator may be affected by the ambient temperature, the door-opening frequency, and the location of the refrigerator. We recommend adjusting the temperature settings as appropriate.

## Door reversal

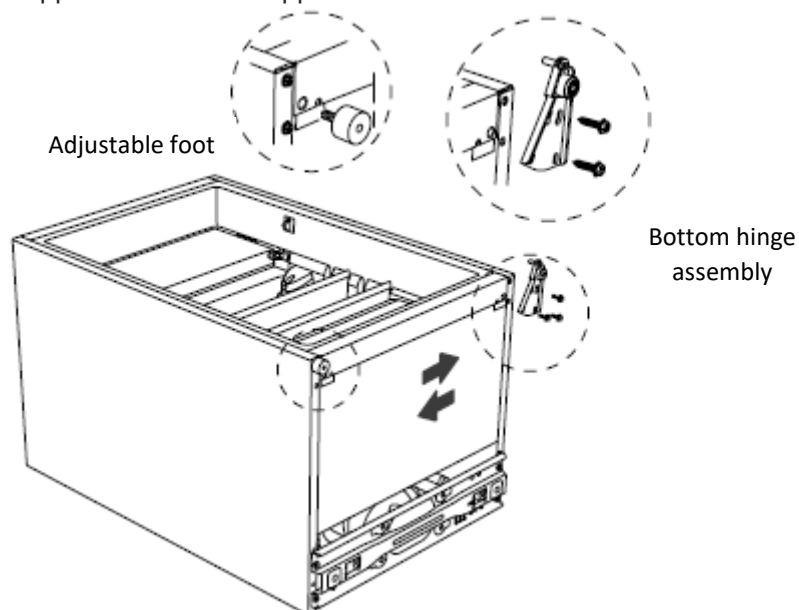
1. Turn off the appliance and remove all items from the door shelves.



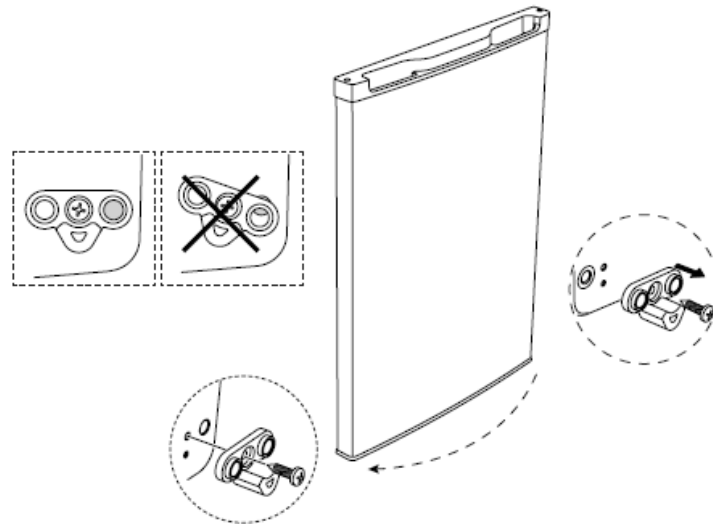
2. Dismantle the upper cover and the screws securing the upper hinge, then remove the upper hinge. Keep the door in a vertical position throughout the process to prevent it from falling.



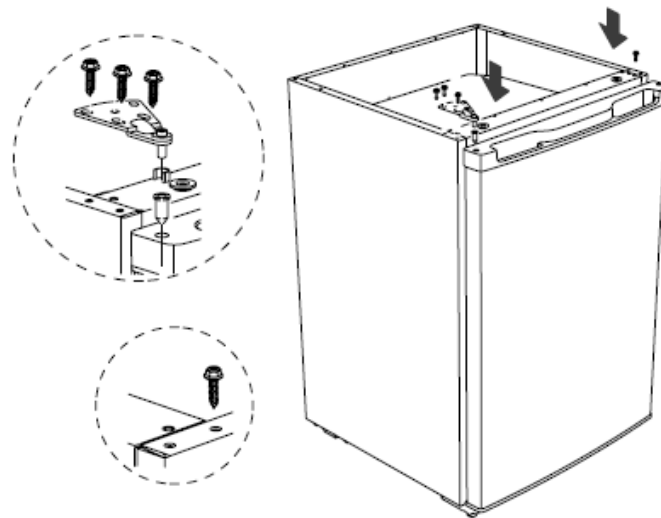
3. Detach the door, bottom hinge assembly, and adjustable foot, then fit the bottom hinge assembly and adjustable foot on the opposite side of the appliance.



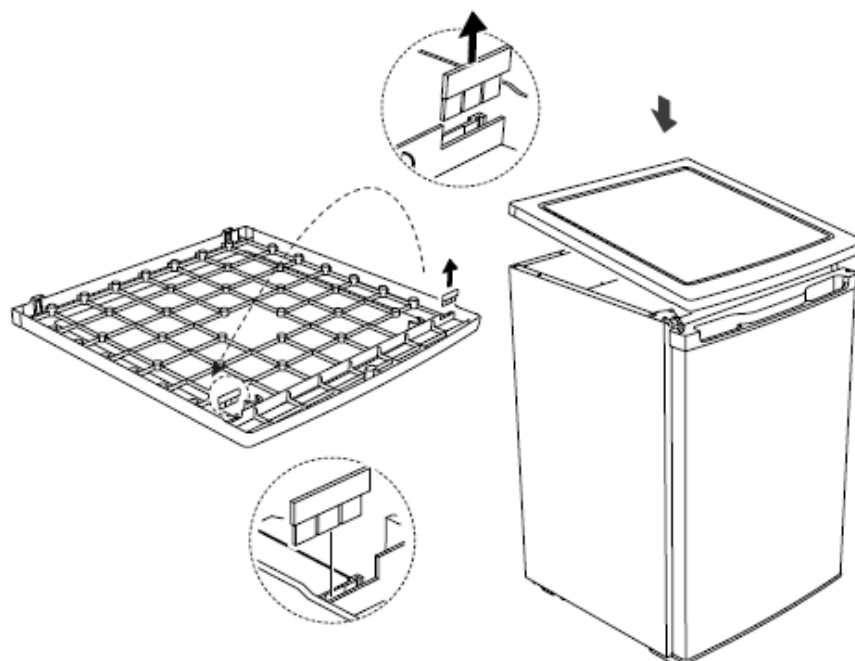
4. Install the stopper and shaft sleeve on the opposite side.



5. Place the door onto the bottom hinge and secure the upper hinge using the screws.



6. Move the decorative flap on the top cover from the left side to the right side. Attach the refrigerator's top cover.



**ATTENTION**

Differences: Due to technical changes and different models, some of the illustrations in this manual may differ from your model.

## Levelling feet

To avoid vibration, the appliance must be levelled.

If required, adjust the levelling feet to compensate for the uneven floor.

The front should be slightly higher than the rear to aid in door closing.

Levelling feet can be turned easily by tipping the cabinet slightly.

Turn the levelling feet counterclockwise  to raise the unit, clockwise  to lower it.

## Changing the light

Any replacement or maintenance of the LED lamps is intended to be made by the manufacturer, its service agent or similar qualified person.

## Moving the appliance

1. Remove all items from the appliance.
2. Pull the power plug out, insert and fix it into the power plug hook at the rear or on top of the appliance.
3. Tape parts such as shelves and the door to prevent from falling off while moving the appliance.
4. Move the appliance with more than two people carefully. When transporting the appliance over a long distance, keep the appliance upright.

## Tips for energy saving

Do not place the appliance near cookers, radiators or other heat sources. If the ambient temperature is high, the compressor will run more frequently and for longer, resulting in increased energy consumption.

Ensure that there is sufficient ventilation at the base of the appliance, on the sides of the appliance and at the back of the appliance.

Please also observe the spacing dimensions in the chapter "Installation".

The arrangement of drawers, shelves and trays as shown in the product overview offers the most efficient use of energy and should be retained as far as possible.

To obtain a larger storage space (e.g. for large refrigerated/frozen goods), the middle drawers and shelves can be removed. The top and bottom drawers and shelves should be removed last if necessary.

An evenly filled refrigerator/freezer compartment contributes to optimal energy use.

Allow warm food to cool before placing it in the refrigerator/freezer compartment. Food that has already cooled down increases energy efficiency.

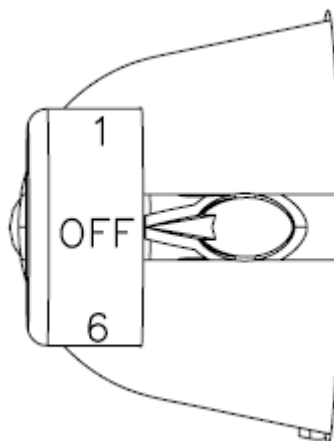
Allow frozen food to defrost in the refrigeration compartment. The coldness of the frozen food reduces the energy consumption in the refrigerator compartment and thus increases energy efficiency.

Open the door only as briefly as necessary to minimise cold loss. Opening the door briefly and closing it properly reduces energy consumption.

Setting the temperature no colder than necessary contributes to optimal energy use.

The door gaskets of your appliance must be perfectly intact so that the doors close properly and energy consumption is not increased unnecessarily.

## 6. CONTROL PANEL



The figures do not indicate an exact temperature but a temperature level.

- "1" is the setting for the highest temperature.
- "6" is the setting for the lowest temperature.
- The higher the number, the lower the internal refrigerator temperature. "OFF" means the operation is stopped.
- Recommended setting: "3".



### ATTENTION

Depending on the purchased model, the control panel may be slightly different.

## 7. STORING FOOD

### Freezer compartment

The freezer compartment is designed for freezing food at low temperatures, for long-term storage of frozen food and for making ice cubes.

Pay attention to the star ratings (4-star, 2-star and 1-star) in the freezer compartment and the resulting storage times for frozen foods.

Do not place fresh and frozen food next to each other. The frozen food may thaw.

When freezing large quantities of fresh food (such as meat, fish or minced meat), divide it into several small pieces before placing it in the freezer so that it freezes quickly and is easy to remove.

Follow the storage times recommended by the food manufacturer on the packaging; if there is no information on the packaging, food should not be stored frozen for more than three months from the date of purchase.

When buying frozen food, make sure it has been frozen at the correct temperature and that the packaging is not damaged.

Frozen foods should be stored in proper individual packaging to ensure that neighbouring foods are not contaminated. Consume thawed and defrosted food immediately, do not refreeze.

In the event of a prolonged power failure or appliance malfunction, remove stored frozen food and check that it is still edible, then store in a sufficiently cool place or in another appliance.

To thaw food, remove it from the freezer and allow it to defrost at room temperature or in the refrigerator. To defrost food quickly, you can use the defrost function on your microwave, for example.

If you only want to defrost part of a package, take out the portion you need and close the rest of the package immediately. This will prevent freezer burn and reduce ice formation on the rest of the food.

## Cooling compartment

To reduce moisture and subsequent ice build-up, never place liquids in the fridge in unsealed containers. Frost tends to concentrate in the coolest parts of the evaporator. Storing liquids uncovered will result in more frequent defrosting.

Never place hot food in the refrigerator. Allow them to cool to room temperature before placing them in the refrigerator to ensure proper air circulation.

Food or food containers should not touch the back of the refrigerator as they may freeze to the wall. Do not open the fridge door regularly.

Meat and clean fish (packaged or wrapped in plastic) can be placed in the refrigerator for 1-2 days.

Unwrapped fruit and vegetables can be placed in the fresh fruit and vegetables section.



### ATTENTION

Storage of too much food during operation after the initial connection to power may adversely affect the freezing effect of the refrigerator.

## Storage times and compartment

Note: Overlong storage or storage at inappropriate freezing temperature may cause a quality loss or spoiled foods, which causes food waste, is inedible and may cause food poisoning. The minimum temperature in most cases should be -18 °C or colder.

Order	Compartments TYPE	Target storage temp. [°C]	Appropriate food
1	Fridge	+2≤+6	Eggs, cooked food, packaged food, fruits and vegetables, dairy products, cakes, drinks and other foods are not suitable for freezing.
2	(***)*-Freezer	≤-18	Seafood (fish, shrimp, shellfish), freshwater aquatic products and meat products (recommended for 3 months, the longer the storage time, the worse the taste and nutrition), suitable for frozen fresh food.
3	***-Freezer	≤-18	Seafood (fish, shrimp, shellfish), freshwater aquatic products and meat products (recommended for 3 months, the longer the storage time, the worse the taste and nutrition), are not suitable for frozen fresh food.
4	** -Freezer	≤-12	Seafood (fish, shrimp, shellfish), freshwater aquatic products and meat products (recommended for 2 months, the longer the storage time, the worse the taste and nutrition), are not suitable for frozen fresh food.
5	*-Freezer	≤-6	Seafood (fish, shrimp, shellfish), freshwater aquatic products and meat products (recommended for 1 months, the longer the storage time, the worse the taste and nutrition), are not suitable for frozen fresh food.
6	0-star	-6≤0	Fresh pork, beef, fish, chicken, some packaged processed foods, etc. (Recommended to eat within the same day, preferably no more than 3 days). Partially encapsulated processed foods (non-freezable foods)

7	Chill	-2≤+3	Fresh/frozen pork, beef, chicken, freshwater aquatic products, etc.(7 days below 0 °C and above 0 °C is recommended for consumption within that day, preferably no more than 2 days). Seafood (less than 0 for 15 days, it is not recommended to store above 0 °C).
8	Fresh Food	0≤+4	Fresh pork, beef, fish, chicken, cooked food, etc. (Recommended to eat within the same day, preferably no more than 3 days).
9	Wine	+5≤+20	Red wine, white wine, sparkling wine, etc.

## 8. MAINTENANCE AND CLEANING



### CAUTION

Disconnect the appliance from the power supply before conducting routine maintenance. Wait at least 5 minutes before restarting the appliance, as frequent starting may damage the compressor.

Do not use mechanical devices or other means to speed up the defrosting process other than those recommended by the manufacturer.

Do not attempt to repair, disassemble or modify the unit yourself. In case of repair, please contact our service department.

Remove the dust from the back of the appliance at least once a year to prevent fire hazard and increased energy consumption.

Check the door seal regularly to ensure that it is free of debris. Clean the door seal with a soft cloth dampened with soapy water or diluted detergent.

The interior of the product should be cleaned regularly to prevent odours.

Use a soft cloth or sponge to clean the inside of the product with two tablespoons of baking soda and a quart of warm water. Rinse with water and wipe clean.

After cleaning, open the door and allow it to dry naturally before switching on.

For areas of the product that are difficult to clean (such as tight spaces, crevices or corners), it is recommended to regularly wipe with a soft cloth, soft brush, etc. and, if necessary, combined with some auxiliary tools (such as thin sticks) to ensure that no dirt or bacteria accumulates in these areas.

Wipe the outer surface of the product with a soft cloth dampened with soapy water, detergent, etc. and then wipe dry.

Do not use hard brushes, clean steel balls, wire brushes, abrasives (such as toothpaste), organic solvents (such as alcohol, acetone, isoamyl acetate, etc.), boiling water, acidic or alkaline substances that may damage the surface and interior of the refrigerator. Boiling water and organic solvents such as benzene can deform or damage plastic parts.



During cleaning, do not rinse the appliance directly with water or other liquids to avoid short circuits or damage to electrical insulation.



### ATTENTION

We recommend that you let the appliance run continuously after turning it on. As a general rule, the operation of the appliance should not be interrupted in order not to affect its service life.

## Defrosting

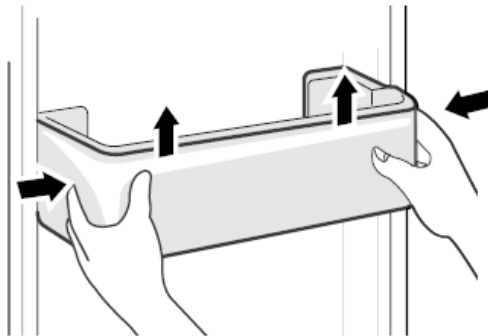
During operation, droplets of condensation or ice crystals may appear on the back wall of the refrigeration compartment. This is normal. You do not need to wipe off the condensation or ice. The rear panel defrosts automatically. Condensation drains into the condensation channel and is carried to a compartment where it evaporates.

**Note:** Keep the condensation channel and water outlet hole clean to allow proper drainage of condensation.

## Cleaning of door tray

According to the direction arrow in the figure below, use both hands to squeeze the tray, and push it upward, then you can take it out.

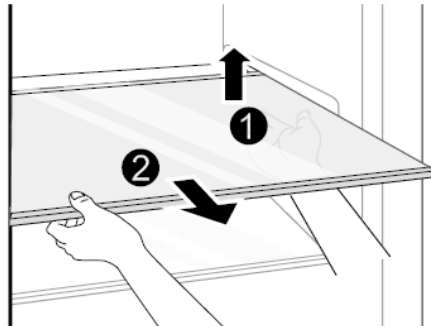
After washing the tray having been taken out, you can adjust its installing height in accordance with your requirement.



## Cleaning of glass shelf

As the innermost part of the refrigerator liner where contacting the shelves has a backstop, you shall raise the shelves upward, then you can be able to take it out.

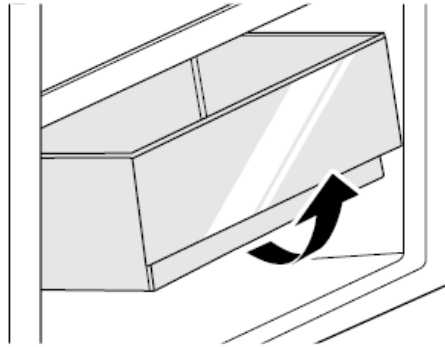
Adjust or clean the shelves according to your requirement.



## Cleaning the vegetable drawer

Remove the contents of the drawer. Hold the handle of the vegetable drawer and pull it out completely until it stops.

Lift the vegetable drawer up and remove it by pulling it out.



### ATTENTION

Differences: Due to technical changes and different models, some of the illustrations in this manual may differ from your model.

## 9. TROUBLESHOOTING

The following simple issues can be handled by the user. Please call the after-sale service department if the issues are not solved.

Problem	Possible causes	Solution
The appliance does not operate.	The power supply is not turned on and the plug is not firmly inserted. Low voltage, power failure or part of the circuit tripped.	Insert the power cord plug firmly. Check the power supply at home.
Light not on	The appliance is not powered on. The light is broken.	Unplug and replug the power cord. Replace the light with a new one.
Fruits or vegetables are frozen	Has the food been placed at the back of the fridge? The area near the back wall is where the temperatures are coldest. Fruits or vegetables are stored in the Fresh/Chill zone.	Not placing food which may freeze easily at the back of the fridge compartment. The Fresh/Chill zone is only for meat/fish.
Fridge/freezer is over-cooling	Temperature control is not set correctly.	Set the temperature higher.
Compressor working for a long time	High ambient temperature causing long working time. Putting too much food in at one time. Food is put in before it has cooled down. Opening the door too often. The frost layer inside is too thick.	This is normal. Do not put too much food in at one time. Wait until the food has cooled down before putting it in. Do not open the door too often. Need to defrost.

Door does not close properly	Door is stuck with objects. Too much food in. Door gasket deformed.	Do not put in too much food. Place the appliance stably. Heat the door gasket, then cool it for restoration (with an electrical drier or hot water for heating).
Outer wall is hot	When the appliance is operating, heat is dissipated to the outside through the metal tubes inside the cabinet. Higher ambient temperatures in the summer cause the temperature of the outer wall to rise.	Higher temperature on the outer wall is normal. Increase the heat dissipation space or put the appliance in a ventilated and cool place.
Odors	Spoiled food Food with strong odours The interior compartment is dirty.	Clean and remove any spoiled food. Make sure strong-smelling food is wrapped airtight. Clean the interior compartment.
The actual temperature differs from the set temperature	When warm food is put in, the temperature will rise temporarily. After setting a new temperature, it will take some time for the temperature in the compartment to reach the set temperature when the door is not opened. After the temperature stability, the actual temperatures at different locations within the compartment are different, with a deviation of about $\pm 3$ °C.	This is normal. Wait for some time before testing the actual temperature
Condensation forms on the outside	Condensation may form when the humidity in the room is high.	This is normal. Wipe off the condensation using a dry cloth.
Condensation forms inside the fridge and drawers	The fridge maintains a high humidity to keep vegetables and other food items fresh. Humidity is too high in the room and doors have been opened frequently. The door gaskets are not tight.	Wipe off the condensation using a dry cloth. Do not open doors as frequently or do not keep them open too long. Check the door gasket, clean or correct position.
Hard to open the door	The difference in air pressure between the inside and outside of the compartment may sometimes make it hard to open the freezer door.	Wait a few moments, and then try to open the door slowly.

During normal use of the device, certain noises may be heard, which do not affect its proper operation.  
Noises that can easily be prevented:

- Noise caused by the appliance not being level - level the appliance using the adjustable front feet. Alternatively, put soft material protectors under the rear castors, especially when the appliance is placed on tiles.

- The appliance touches neighbouring items of furniture - move the appliance.
- Drawers or shelves creak - remove and replace the drawer or shelf.
- Sound of bottles clinking together - move bottles away from each other.

The sounds you may hear during normal use are mainly caused by the compressor and cooling system running (turning on) (thermal expansion and contraction of the radiator caused by the flow of coolant).

### CUSTOMER CARE AND SERVICE

Always use original spare parts.

When contacting our Authorised Service Centre, ensure that you have the following data available: Model and Serial Number.

The information can be found on the rating plate. Subject to change without notice.

### TECHNICAL DATA

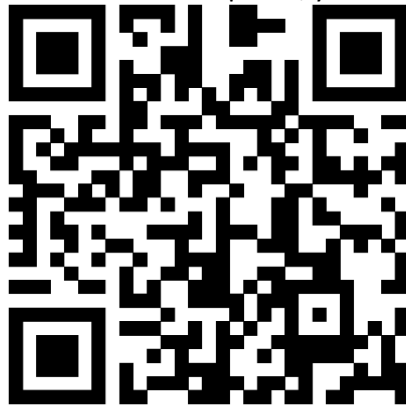
The technical information is situated in the rating plate on the internal side of the appliance and on the energy label.

The QR code on the energy label supplied with the appliance provides a web link to the information related to the performance of the appliance in the EU EPREL database.

Keep the energy label for reference together with the user manual and all other documents provided with this appliance.

It is also possible to find the same information in EPREL using the link <https://eprel.ec.europa.eu> and the model name and product number that you find on the rating plate of the appliance.

To access information about your product in the EPREL portal, you can scan the codes below:



Thank you for purchasing this product. If you need support with your product, visit our website using the links below.

**Get User manuals:** <https://www.heinner.ro>

**Get Service information:** <https://www.heinner.ro>



#### Environment friendly disposal

You can help protect the environment!

Please remember to respect the local regulations: hand in the non-working electrical equipment's to an appropriate waste disposal centre.



**HEINNER** is a registered trademark of **Network One Distribution SRL**. Other brands and product names are trademarks or registered trademarks of their respective holders.

No part of the specifications may be reproduced in any form or by any means or used to make any derivative such as translation, transformation, or adaptation without permission from NETWORK ONE DISTRIBUTION.

Copyright © 2013 Network One Distribution. All rights reserved.

[www.heinner.com](http://www.heinner.com), <http://www.nod.ro>



This product is in conformity with norms and standards of European Community



Producer and Importer: **Network One Distribution**  
Marcel Iancu Street, 3-5, Bucharest, Romania  
Tel: +40 21 211 18 56, [www.heinner.com](http://www.heinner.com) , [www.nod.ro](http://www.nod.ro)

# FRIGIDER

Model:

**HF-M113E++**



- Capacitate totală: 113 L
- Clasa de eficiență energetică: E

**HEINNER**

## 1. INTRODUCERE

Vă rugăm să citiți instrucțiunile cu atenție și să păstrați manualul pentru consultări ulterioare. Acest manual are scopul de a vă oferi toate instrucțiunile necesare cu privire la instalarea, utilizarea și întreținerea aparatului. Pentru utilizarea corectă și în siguranță a aparatului, vă rugăm să citiți cu atenție acest manual de instrucțiuni înainte de instalare și utilizare.





## 2. CONȚINUTUL PACHETULUI DUMNEAVOASTRĂ

- ➔ **Frigider**
- ➔ **Manual de utilizare**
- ➔ **Certificat de garanție**

## 3. AVERTISMENTE PRIVIND SIGURANȚA

Înainte de a porni aparatul pentru prima dată, citiți următoarele indicații privind siguranța! Acest aparat este destinat utilizării în locuințe și alte unități similare, cum ar fi: bucătăriile personalului din magazine, birouri și alte medii profesionale; în gospodării și de către clienții din hoteluri, moteluri și alte medii de tip rezidențial; medii de tipul pensiune cu mic dejun; activități de tip catering și non-retail. Aparatul nu este destinat utilizării de către persoane (inclusiv copii) care au capacități fizice, senzoriale sau mentale reduse, sau cărora le lipsesc experiența și cunoștințele necesare, decât dacă sunt supravegheate sau au fost instruite cu privire la utilizarea aparatului de către o persoană care răspunde pentru siguranța acestora.

### Semnificațiile termenilor/simbolurilor

	<b>PERICOL</b> Acest simbol indică existența unor pericole pentru viața și sănătatea persoanelor din cauza gazului extrem de inflamabil.
	<b>AVERTISMENT</b> Cuvântul de avertizare indică un pericol de nivel mediu care, dacă nu este evitat, poate duce la deces sau vătămări grave.
	<b>ATENȚIE</b> Cuvântul de avertizare indică un pericol de nivel scăzut care, dacă nu este evitat, poate duce la vătămări ușoare sau moderate.
	<b>ATENȚIONARE</b> Cuvântul de avertizare indică informații importante (de exemplu, daune materiale), dar nu pericolul.

**Important:** Acordați o atenție deosebită mesajelor care conțin cuvintele **PERICOL**, **AVERTISMENT** sau **ATENȚIE**. Aceste cuvinte sunt utilizate pentru a vă avertiza cu privire la un potențial pericol care vă poate provoca răni grave dumneavoastră și altor persoane.

Instrucțiunile vă vor indica modul în care puteți reduce riscul de rănire și ce se poate întâmpla în caz de nerespectare a instrucțiunilor.

**Atenționare:** Aceste instrucțiuni de utilizare au caracter general. Aceasta înseamnă că anumite funcții sunt valabile pentru frigiderul/congelatorul dumneavoastră, în timp ce altele nu.

Lucrăm constant în vederea dezvoltării și îmbunătățirii continue a tipurilor și modelelor noastre de aparate. Prin urmare, ne rezervăm dreptul de a face modificări în ceea ce privește designul, echipamentul și accesoriile tuturor tipurilor și modelelor de aparate, fără notificare prealabilă

## Măsurile generale de siguranță



### Pericol de incendiu/materiale inflamabile

Agentul frigorific și agentul de spumare cu ciclopentan utilizate pentru acest aparat sunt inflamabile. Prin urmare, la eliminarea aparatului, asigurați-vă că acesta este ferit de surse de flacără și că acesta este încredințat unei societăți specializate de recuperare a deșeurilor, în vederea unei eliminări care să excludă arderea, pentru prevenirea daunelor aduse mediului înconjurător și a altor pericole.



### AVERTISMENT

- Copiii trebuie supravegheați, astfel încât aceștia să nu se joace cu aparatul.
- Pentru evitarea pericolelor, în cazul în care cablul de alimentare este deteriorat, acesta trebuie înlocuit de către producător, de către agentul său de service sau de persoane cu o calificare similară.
- Nu depozitați în acest aparat produse explozive precum spray-urile cu aerosoli inflamabili.
- După utilizare și înainte de efectuarea operațiilor de întreținere a aparatului, acesta trebuie deconectat de la sursa de alimentare.
- Asigurați-vă că gurile de ventilație ale carcasei aparatului sau ale corpului acestuia nu sunt obturate.
- Utilizați numai dispozitive mecanice sau mijloace de grăbire a procesului de dezghețare recomandate de către producător.
- Nu deteriorați circuitul de refrigerare.
- Nu folosiți aparate electrice în interiorul compartimentelor de depozitare a alimentelor din acest aparat, decât dacă acestea sunt de tipul celor recomandate de către producător.
- Vă rugăm să eliminați aparatul în conformitate cu reglementările locale, deoarece acesta conține gaz izolant sub presiune și agent de refrigerare inflamabil.
- Atunci când poziționați aparatul, asigurați-vă că nu striviți și nu deteriorați cablul de alimentare.
- Nu amplasați în spatele aparatului prize multiple sau surse de alimentare portabile.
- Nu utilizați prelungitoare sau adaptoare (cu doi pini) fără împământare.
- Pentru a evita pericolele generate de instabilitatea aparatului, acesta trebuie fixat în conformitate cu instrucțiunile.
- Frigiderul trebuie deconectat de la sursa de alimentare cu energie electrică înainte de montarea accesoriilor. Acordați atenție poziției cablului de alimentare, pentru a vă asigura că acesta nu este prins sub aparat. Nu călcați pe cablul de alimentare.
- În cazul unui aparat de sine stătător: acest aparat frigorific nu este destinat utilizării ca aparat încorporat.

## Utilizare cotidiană



### ATENȚIE

- Nu trageți de cablul de alimentare atunci când doriți să deconectați aparatul de la sursa de alimentare cu energie. Vă rugăm să apucați ferm ștecărul și să îl scoateți direct din priză.
- Pentru utilizarea în condiții de siguranță, nu deteriorați cablul de alimentare și nu îl utilizați dacă acesta prezintă deteriorări sau dacă este uzat.
- Vă rugăm să folosiți o priză dedicată pentru acest aparat, fără a alimenta de la aceeași priză alte aparate electrice.
- Ștecărul trebuie să fie bine introdus în priză, pentru a se evita riscul de producere a unor incendii.
- Vă rugăm să vă asigurați că electrodul de împământare al prizei este prevăzut cu o linie de împământare corespunzătoare.
- Aparatul nu poate fi alimentat decât de la un circuit electric de curent alternativ monofazat, de 220~240V/50Hz.

- În cazul scăpărilor de gaz sau de alte substanțe gazoase inflamabile, vă rugăm să opriți în primul rând robinetul de gaz și să deschideți ușile și ferestrele.
- Nu deconectați aparatul frigorific sau alte aparate electrice de la sursa de alimentare cu energie electrică, deoarece scânteile pot provoca un incendiu.
- Nu puneți echipamente electrice pe aparat, decât dacă acestea sunt de tipul celor recomandate de către producător.
- Spațiile dintre ușile aparatului și cele dintre uși și carcasa acestuia sunt mici. Pentru a preveni rănirea, nu introduceți degetele în aceste locuri. Vă rugăm să închideți cu grijă ușile aparatului, pentru a evita căderea obiectelor din interiorul acestuia.
- Pentru a evita producerea degerăturilor, nu luați cu mâinile ude alimente sau recipiente (în special recipiente din metal) din compartimentul de congelare în timpul funcționării aparatului.
- Nu permiteți copiilor să intre în frigider sau să se urce pe acesta. Pericol de sufocare sau de rănire prin cădere!
- Nu așezați obiecte grele pe aparat, deoarece acestea pot cădea odată cu deschiderea ușilor și pot provoca leziuni persoanelor care utilizează aparatul.
- Nu introduceți în aparat produse inflamabile, explozive, volatile sau foarte corozive, pentru a preveni deteriorarea aparatului sau producerea incendiilor.
- Pentru evitarea incendiilor, nu așezați obiecte inflamabile lângă aparat.
- Frigiderul este destinat uzului casnic, pentru depozitarea alimentelor; acesta nu trebuie utilizat în alte scopuri, cum ar fi, de exemplu, depozitarea sângelui, a medicamentelor, a produselor biologice etc.
- Nu depozitați în compartimentul de congelare al aparatului bere, băuturi sau alte lichide îmbuteliate, deoarece recipientele închise de pot sparge ca urmare a congelării, provocând deteriorări.



#### AVERTISMENT


**Conform standardului UE:** Aparatul poate fi utilizat de către copii cu vârste începând de la 8 ani și de către persoane cu capacități fizice, senzoriale sau mentale reduse, cu lipsă de experiență sau cunoștințe, numai dacă acestea sunt supravegheate sau instruite în ceea ce privește utilizarea în siguranță a aparatului și dacă înțeleg pericolele pe care le implică utilizarea. Copiii nu au voie să se joace cu aparatul. Curățarea și întreținerea nu trebuie efectuate de către copii nesupravegheați.

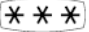
Pentru a evita contaminarea alimentelor, respectați instrucțiunile de mai jos.


- Dacă ușa aparatului este lăsată deschisă pe perioade lungi, temperatura din compartimentele aparatului crește semnificativ.
- Curățați periodic suprafețele care pot intra în contact cu alimentele, precum și sistemele de scurgere ale aparatului.
- Păstrați carnea crudă și peștele proaspăt în recipiente corespunzătoare, astfel încât acestea să nu intre în contact cu alte alimente.
- Compartimentele de congelare cu două stele sunt potrivite pentru păstrarea alimentelor precongelate, păstrarea sau prepararea înghețatei sau producerea cuburilor de gheață (Nota 1) (\*).
- Compartimentele cu una, două și trei stele nu sunt potrivite pentru congelarea alimentelor proaspete (Nota 2) (\*).
- În cazul aparatelor fără compartiment cu 4 stele: acest aparat frigorific nu este potrivit pentru congelarea produselor alimentare (Nota 3) (\*).
- Dacă aparatul frigorific este lăsat gol pe perioade lungi, opriți-l, decongelați-l, curățați-l, ștergeți-l bine și lăsați-i ușa deschisă pentru a preveni formarea mucegaiului în interiorul acestuia.


Notele 1, 2, 3: Vă rugăm să verificați disponibilitatea în funcție de tipul de compartiment al produsului dumneavoastră.

(\*): Această caracteristică variază în funcție de modelul achiziționat.

 Simbolul „4 stele”: Congelator la - 18 °C sau o temperatură mai redusă, având capacitatea de a congela rapid o anumită cantitate de alimente.

 Simbolul „3 stele”: Compartiment de congelare la - 18 °C sau o temperatură mai redusă.

 Simbolul „2 stele”: Compartiment de congelare la - 12 °C sau o temperatură mai redusă.

 Simbolul „1 stea”: Compartiment de congelare cu o temperatură țintă și condiții de depozitare de -6 °C.

**ATENȚIE**

Acest produs nu este recomandat pentru utilizarea cu prize sau întrerupător principal cu funcția AFCI / GFCI, deoarece poate provoca declanșări false.

1. Acesta nu poate prezenta un risc în ceea ce privește siguranța atunci când este declanșat.
2. Dacă declanșarea persistă, se recomandă înlocuirea prizelor sau a întrerupătorului principal cu modele care nu sunt prevăzute cu funcția AFCI/GFCI.

**AVERTISMENT**

Risc de blocare a copiilor în interiorul aparatului. Înainte de a arunca vechiul frigider sau congelator:

- Scoateți ușile.
- Lăsați rafturile la locurile lor, astfel încât copiii să nu poată pătrunde cu ușurință în interiorul aparatului.

## Protejarea mediului înconjurător

### Eliminarea într-un mod ecologic a dispozitivelor electrice uzate

Simbolul pubelei barate cu o cruce indică faptul că deșeurile de echipamente electrice și electronice (DEEE) trebuie eliminate separat de fluxul de deșuri municipale.

Echipamentele electrice uzate pot conține substanțe periculoase; prin urmare, eliminarea corectă a aparatului dumneavoastră uzat va contribui la prevenirea potențialelor consecințe negative pentru mediu și sănătatea umană. Aparatul dumneavoastră uzat poate conține componente reutilizabile care ar putea fi folosite pentru repararea altor produse, precum și materiale valoroase care pot fi reciclate în vederea conservării resurselor limitate.

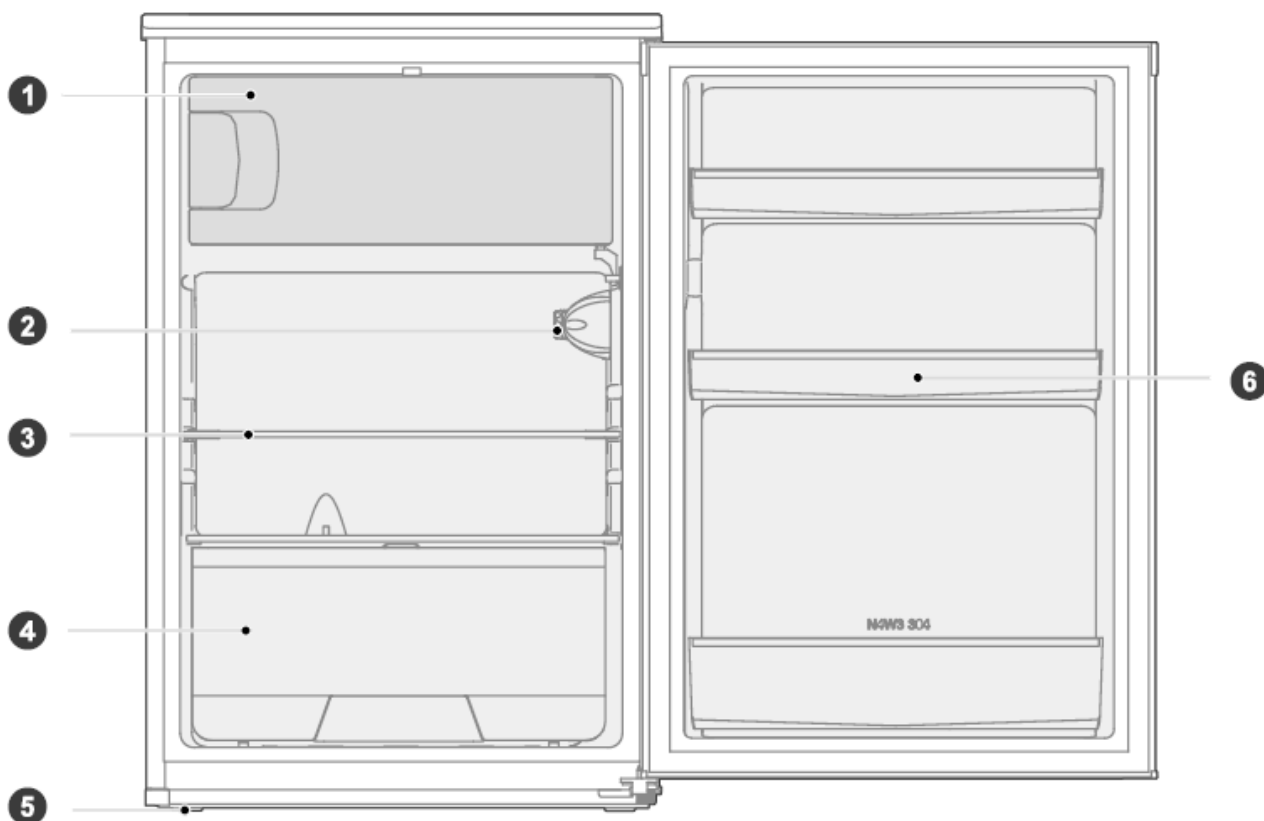


### Informații privind ambalajul

Ambalajele produsului sunt fabricate din materiale reciclabile în conformitate cu reglementările naționale privind protecția mediului înconjurător. Nu eliminați ambalajele împreună cu deșeurile menajere sau cu alte deșuri. Depuneți-le la punctele de colectare a ambalajelor prevăzute de autoritățile locale.



## 4. DESCRIEREA PRODUSULUI



1. Ușă de mici dimensiuni	4. Compartiment pentru fructe și legume
2. Buton pentru reglarea temperaturii	5. Picioare reglabile
3. Raft din sticlă	6. Raft pentru sticle

Pentru o utilizare cât mai eficientă a energiei, vă rugăm să păstrați toate elementele interioare, cum ar fi tăvile, sertarele, rafturile și cutia pentru cuburi de gheață în poziția indicată de către producătorul aparatului. Acest aparat frigorific trebuie să fie instalat independent și nu poate fi utilizat ca aparat încorporat. În caz contrar, performanța aparatului și durata de exploatare a acestuia sunt reduse, iar producătorul nu asigură garanție.



### ATENȚIONARE

**Diferențe:** Date fiind modificările de ordin tehnic, este posibil ca unele dintre ilustrațiile din acest manual să nu reflecte cu exactitate aspectul produsului propriu-zis.

## 5. INSTRUCȚIUNI DE INSTALARE

### Înainte de prima utilizare

Îndepărtați ambalajele exterioare și interioare, ștergeți bine exteriorul aparatului (cu o lavetă moale și uscată) și interiorul acestuia (cu o cârpă umezită în apă caldă).

Evitați amplasarea produsului într-o nișă îngustă sau în apropierea unor surse de căldură, sub acțiunea directă a luminii solare sau într-un spațiu cu umiditate ridicată.

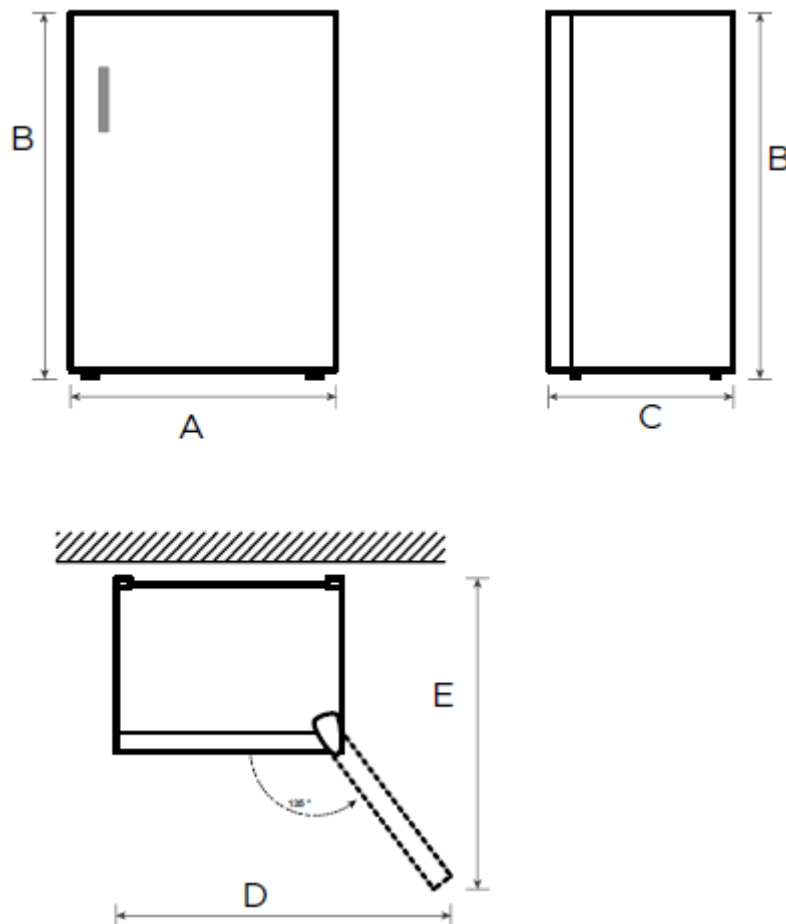
Asigurați circulația liberă a aerului în jurul produsului. La instalarea aparatului lăsați un spațiu de cel puțin 10 cm în laterale, 10 cm în partea superioară și 10 cm în partea din spate a aparatului.

Înainte de conectarea aparatului la sursa de alimentare cu energie electrică, asigurați-vă că tensiunea de alimentare indicată pe aparat corespunde tensiunii disponibile în locuința dumneavoastră. O tensiune de alimentare diferită ar putea deteriora aparatul.

După conectarea aparatului la sursa de alimentare cu energie electrică, așteptați 2-3 ore înainte de a pune alimente în aparat. Dacă puneți alimentele înainte ca aparatul să se răcească, există riscul ca acestea să se altereze.

Acest aparat trebuie să fie conectat la împământare. Producătorul nu este responsabil pentru daunele care pot apărea ca urmare a utilizării fără împământare.

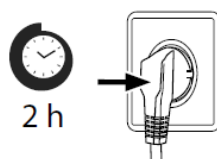
### Cerințe privind spațiul



A	B	C	D	E
553 mm	845 mm	574 mm	935 mm	940 mm

### Conectarea aparatului la sursa de alimentare

După transport, vă rugăm să lăsați aparatul în poziție verticală cel puțin 2 ore înainte de a porni alimentarea. În caz contrar, este posibil să intervină o scădere a capacității de răcire sau chiar deteriorarea aparatului.



Lăsați aparatul să funcționeze timp de 24 de ore fără a introduce alimente în acesta, astfel încât temperatura din interiorul acestuia să scadă până la o valoare corespunzătoare.

**ATENȚIE**

Aparatul trebuie să fie întotdeauna conectat la o priză electrică individuală cu o tensiune nominală care să corespundă celei indicate pe plăcuța cu date tehnice.

Atunci când poziționați aparatul, asigurați-vă că nu striviți și nu deteriorați cablul de alimentare.

## Temperatura ambiantă

În funcție de clasa climatică, acest aparat este destinat utilizării în cadrul unui interval de temperatură ambiantă specificat în tabelul de mai jos.

Este posibil ca produsul să nu funcționeze corect la temperaturi care nu se încadrează în intervalul specificat. Puteți identifica clasa climatică pe eticheta produsului.

Clasa climatică	Temperatura ambiantă
SN	de la +10°C la +32°C
N	de la +16°C la +32°C
ST	de la +16°C la +38°C
T	de la +16°C la +43°C

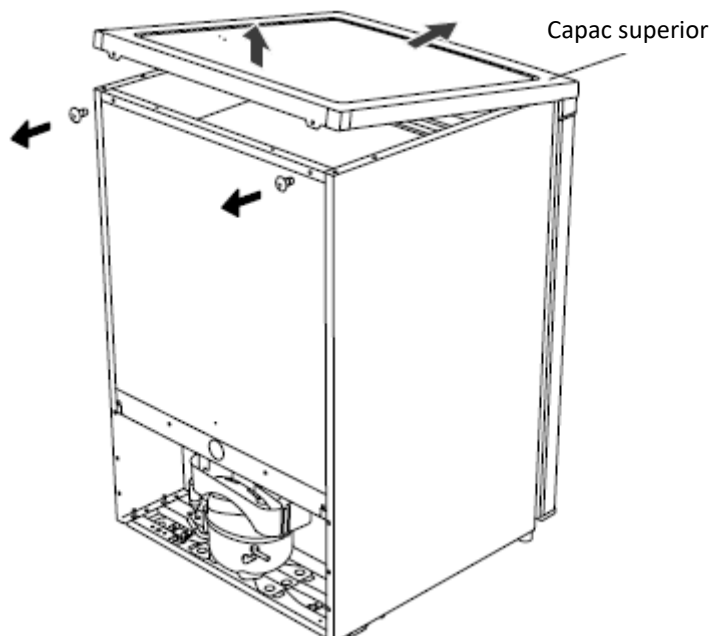
Dacă aveți îndoieli cu privire la instalare, vă rugăm să vă adresați distribuitorului, serviciului nostru de asistență pentru clienți sau celui mai apropiat centru de service autorizat.

**ATENȚIONARE**

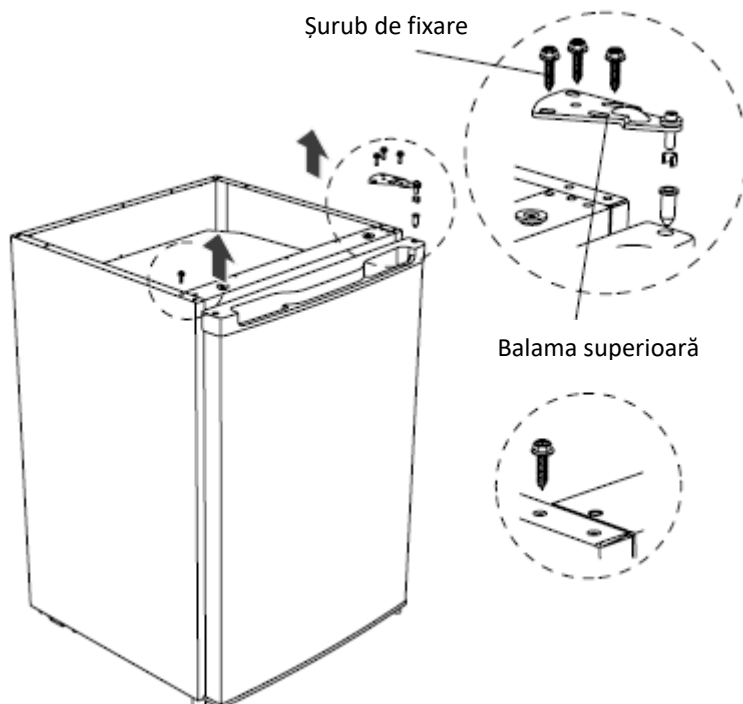
Performanțele de răcire și consumul de energie pot fi afectate de temperatura ambiantă, de frecvența deschiderii ușii și de amplasarea aparatului. Vă recomandăm să adaptați setările de temperatură în funcție de situație.

## Inversarea sensului de deschidere a ușilor

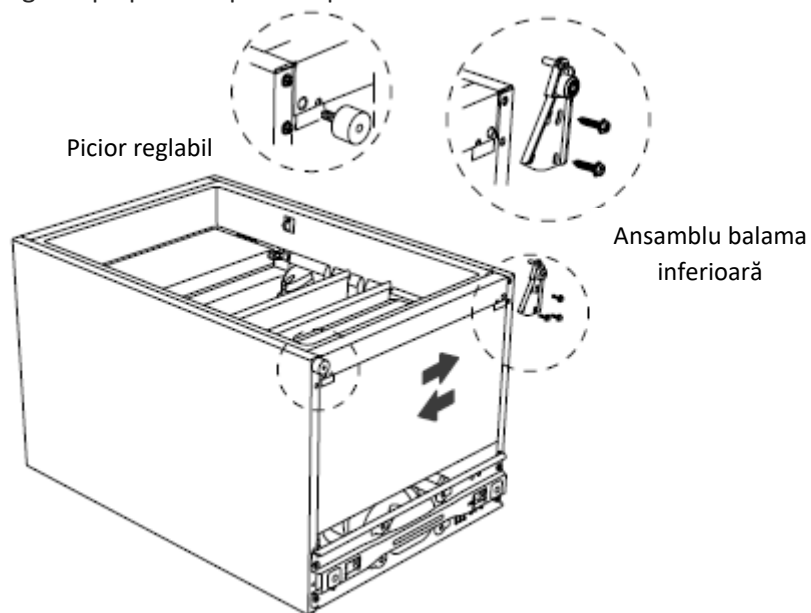
1. Opriti aparatul și luați toate obiectele de pe rafturile ușii.



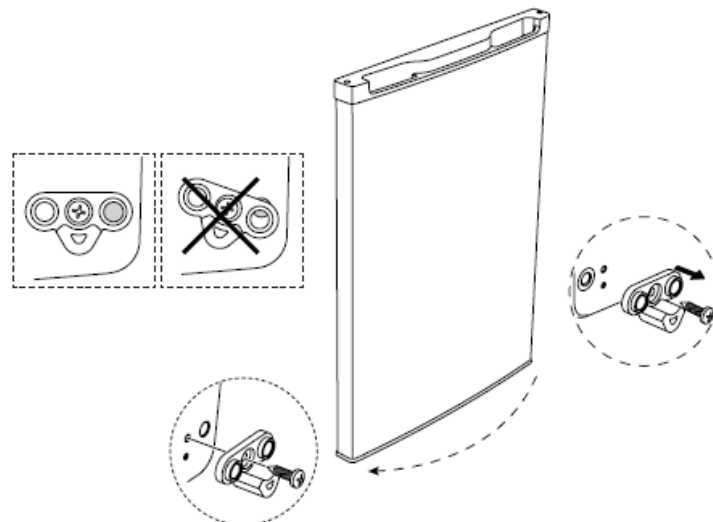
2. Demontați capacul superior și șuruburile de fixare a balamalei superioare, apoi scoateți balamaua superioară. Țineți ușa în poziție verticală pe tot parcursul procesului, pentru a evita căderea acesteia.



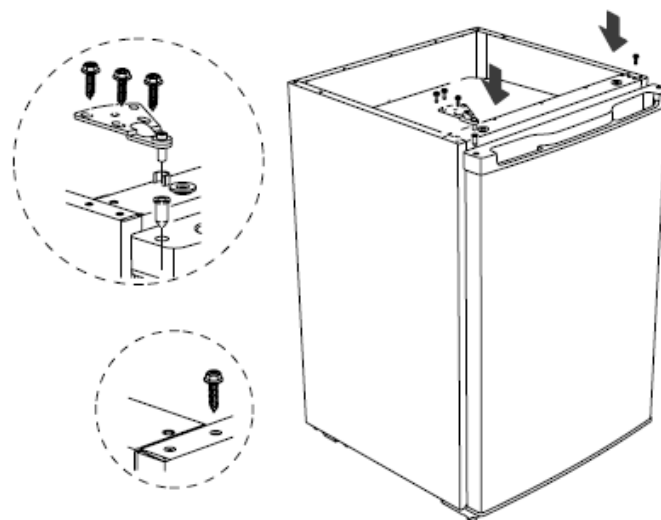
3. Desfaceți ușa, ansamblul balamalei inferioare și piciorul reglabil, apoi montați ansamblul balamalei inferioare și piciorul reglabil pe partea opusă a aparatului.



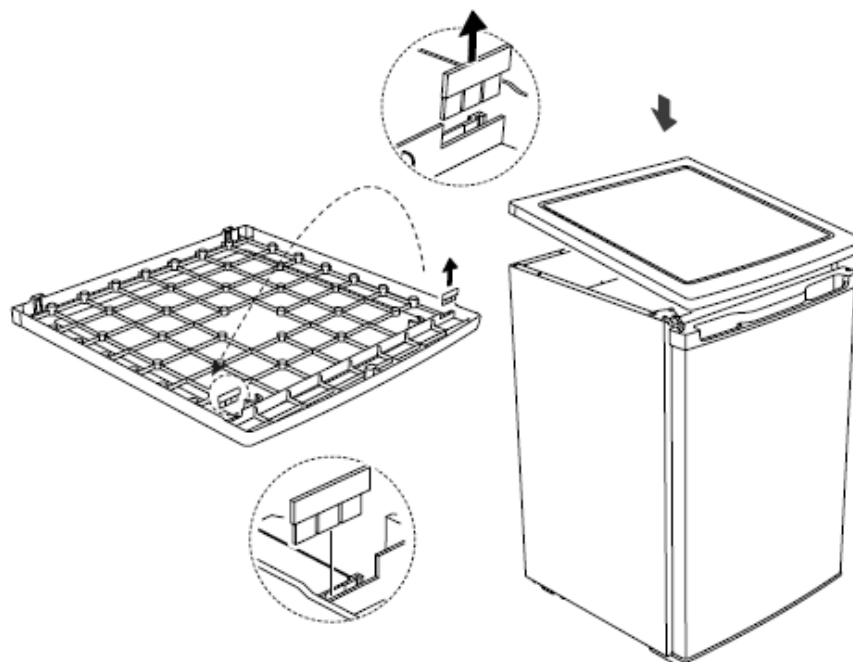
4. Montați opritorul și manșonul axului pe partea opusă.



5. Așezați ușa pe balamaua inferioară și montați balamaua superioară cu ajutorul șuruburilor.



6. Mutați lamela ornamentală de pe capacul superior din partea stângă în partea dreaptă. Fixați capacul superior al frigiderului.





### ATENȚIONARE



Diferențe: Date fiind modificările de ordin tehnic, este posibil ca unele dintre ilustrațiile din acest manual să nu reflecte cu exactitate aspectul produsului propriu-zis.

## Picioare reglabile

Pentru evitarea vibrațiilor, aparatul trebuie să fie echilibrat.

Dacă este necesar, reglați picioarele pentru a compensa denivelările podelei.

Partea din față trebuie să fie la un nivel ușor mai ridicat decât cea din spate, pentru a ajuta la închiderea ușii. Picioarele reglabile pot fi rotite cu ușurință dacă înclinați ușor aparatul.

Rotiți picioarele de nivelare în sensul invers acelor de ceasornic  pentru a ridica unitatea, în sensul acelor de ceasornic  pentru a o coborî.

## Înlocuirea becului lămpii

Înlocuirea și întreținerea lămpilor cu LED trebuie realizate de către producător, agentul său de service sau persoane cu calificări similare.

## Deplasarea aparatului

1. Scoateți toate produsele din aparat.
2. Deconectați ștecărul de la sursa de alimentare, apoi prindeți cablul și ștecărul în cârligul special prevăzut în partea posterioară a aparatului.
3. Lipiți cu bandă adezivă componentele cum ar fi rafturile și ușa, pentru a preveni căderea în timpul deplasării aparatului.
4. Deplasați aparatul cu grijă, solicitând altor două persoane să vă ajute. Atunci când transportați aparatul pe o distanță mare, mențineți-l în poziție verticală.

## Sfaturi pentru economisirea energiei

Nu puneți aparatul lângă arzătoare cu gaz, cuptoare electrice sau alte surse de căldură. Dacă temperatura ambiantă este ridicată, compresorul va funcționa mai frecvent și pentru mai mult timp, ceea ce va duce la creșterea consumului de energie.

Asigurați-vă că circulația aerului nu este împiedicată la baza aparatului, în laterale și în partea din spate a acestuia.

Vă rugăm să respectați cerințele privind spațiul din capitolul „Instalare”.

Disponerea sertarelor, rafturilor și tăvilor, așa cum este ilustrată în prezentarea produsului, asigură cea mai eficientă utilizare a energiei și trebuie păstrată pe cât posibil.

Pentru a obține un spațiu de depozitare mai mare (de exemplu, pentru produse refrigerate/congelate mari), este posibilă detașarea sertarelor și rafturilor centrale. Sertarele și rafturile superioare și inferioare trebuie scoase ultimele, dacă este necesar.

Umplerea uniformă a compartimentului de refrigerare/congelare contribuie la utilizarea optimă a energiei.

Lăsați alimentele calde să se răcească înainte de a le pune în compartimentul de refrigerare/congelare. Alimentele care s-au răcit deja cresc eficiența energetică.

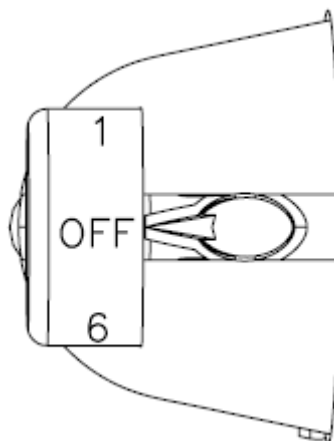
Lăsați alimentele congelate să se dezghețe în compartimentul de refrigerare. Temperatura scăzută a alimentelor congelate reduce consumul de energie din compartimentul frigorific și crește astfel eficiența energetică.

Țineți ușa deschisă numai atât cât este necesar, pentru a nu permite ieșirea aerului rece din aparat. Deschiderea ușii pentru scurt timp și închiderea corespunzătoare a acesteia reduc consumul de energie.

Reglarea temperaturii la un nivel moderat, evitând răcirea excesivă, contribuie la utilizarea optimă a energiei.

Garniturile ușilor aparatului dumneavoastră trebuie să fie intacte, astfel încât ușile să se închidă corect și consumul de energie să nu crească inutil.

## 6. PANOUL DE COMANDĂ



Valorile numerice nu indică o temperatură exactă, ci un nivel de temperatură.

- „1” este setarea pentru temperatura cea mai ridicată.
- „6” este setarea pentru temperatura cea mai scăzută.
- Cu cât valoarea este mai mare, cu atât temperatura din interiorul frigiderului este mai scăzută. „OFF” înseamnă oprirea funcționării.
- Setare recomandată: „3”.



### ATENȚIONARE

În funcție de modelul achiziționat, panoul de comandă poate fi ușor diferit.

## 7. DEPOZITAREA ALIMENTELOR

### Compartimentul de congelare

Compartimentul de congelare este destinat congelării la temperaturi scăzute a alimentelor, depozitării pe termen lung a alimentelor congelate și producerii de cuburi de gheață.

Acordați atenție clasificării în funcție de stele (4 stele, 2 stele și 1 stea) din compartimentul de congelare și perioadelor de depozitare rezultate pentru alimentele congelate.

Nu puneți alimente proaspete lângă alimente congelate, deoarece alimentele congelate se pot dezgheța.

Atunci când congelați cantități mari de alimente proaspete (cum ar fi carne, pește sau carne tocată), vă rugăm să le împărțiți în mai multe bucăți mici înainte de a le introduce în aparat, astfel încât acestea să poată fi congelate rapid și să poată fi luate cu ușurință din aparat.

Respectați termenele de păstrare specificate pe ambalajele produselor. În cazul în care nu sunt disponibile informații pe ambalaj, alimentele nu trebuie păstrate congelate mai mult de trei luni de la data achiziționării. Atunci când cumpărați alimente congelate, asigurați-vă că acestea au fost congelate la o temperatură corespunzătoare și că ambalajul nu este deteriorat.

Produsele destinate păstrării prin congelare ar trebui să fie împachetate separat, pentru a preveni contaminarea încrucișată. Consumați imediat alimentele care au fost decongelate; nu le recongelați.

În eventualitatea unei întreruperi prelungite a alimentării cu energie electrică sau a unei defecțiuni a aparatului, scoateți din aparat produsele congelate. Evaluați starea acestora, pentru a determina dacă sunt încă adecvate pentru consum, apoi transferați-le într-un loc suficient de rece sau într-un alt aparat frigorific. Pentru a decongela alimentele, scoateți-le din compartimentul de congelare și lăsați-le să se dezghețe la temperatura camerei sau în compartimentul de refrigerare. Pentru a decongela rapid alimentele, puteți utiliza funcția de dezghețare a cuptorului cu microunde.

Dacă doriți să dezghețați doar o parte dintr-un pachet congelat, scoateți doar partea de care aveți nevoie și închideți imediat restul pachetului. În acest fel, veți evita formarea de gheață pe alimentele rămase.

## Compartimentul de refrigerare

Pentru a diminua nivelul de umiditate și a preveni formarea ulterioară a gheții, se recomandă să nu introduceți în compartimentul de refrigerare lichide în recipiente deschise sau neetanșe.

Gheața tinde să se acumuleze în cele mai reci zone ale evaporatorului. Depozitarea lichidelor în recipiente deschise sau neacoperite face ca decongelarea să fie necesară mai frecvent.

Nu puneți niciodată alimente calde în compartimentul de refrigerare. Acestea trebuie mai întâi lăsate să se răcească la temperatura camerei, apoi puse în aparat, astfel încât să asigure o circulație adecvată a aerului în compartimentul de refrigerare.

Alimentele sau recipientele pentru alimente nu trebuie să atingă peretele posterior din interiorul frigiderului, deoarece acestea pot îngheța pe perete. Evitați deschiderea frecventă a ușii aparatului.

Carnea și peștele (ambalate într-un ambalaj sau într-o folie de plastic) pot fi depozitate în compartimentul de refrigerare, putând fi păstrate 1-2 zile.

Fructele și legumele fără ambalaj pot fi depozitate în partea destinată fructelor și legumelor proaspete.



### ATENȚIONARE

Supraîncărcarea aparatului cu alimente în timpul funcționării după prima conectare la sursa de alimentare poate afecta performanțele de congelare ale aparatului.

## Durate de depozitare

Observație: Depozitarea prelungită sau depozitarea la o temperatură de congelare necorespunzătoare poate duce la scăderea calității alimentelor și chiar la alterarea acestora, existând riscul de toxiiinfecții alimentare în cazul consumului. În majoritatea cazurilor, temperatura minimă trebuie să fie de  $-18\text{ }^{\circ}\text{C}$  sau mai redusă.

Nr. de ordine	Tipul compartimentului	Temperatură de depozitare recomandată [ $^{\circ}\text{C}$ ]	Alimente
1	Refrigerare	$+2\leq+6$	Ouăle, alimentele gătite, alimentele ambalate, fructele și legumele, lactatele, prăjiturile și băuturile nu sunt potrivite pentru congelare.
2	(***)*-Congelare	$\leq-18$	Fructele de mare (peștele, creveții, crustaceele), produsele acvatice și cele din carne sunt potrivite pentru congelare (se recomandă depozitarea acestora timp de 3 luni; cu cât durata de depozitare este mai mare, cu atât gustul și proprietățile nutritive se pierd).
3	***-Congelare	$\leq-18$	Fructele de mare (peștele, creveții, crustaceele), produsele acvatice și cele din carne nu sunt potrivite pentru congelare (se recomandă depozitarea acestora timp de 3 luni; cu cât durata de depozitare este mai mare, cu atât gustul și proprietățile nutritive se pierd).
4	** - Congelare	$\leq-12$	Fructele de mare (peștele, creveții, crustaceele), produsele acvatice și cele din carne nu sunt potrivite pentru congelare (se recomandă depozitarea acestora timp de 2 luni; cu cât durata de depozitare este mai mare, cu atât gustul și proprietățile nutritive se pierd).
5	*-Congelare	$\leq-6$	Fructele de mare (peștele, creveții, crustaceele), produsele acvatice și cele din carne nu sunt potrivite pentru congelare (se recomandă depozitarea acestora timp de 1 lună; cu cât durata de depozitare este mai mare, cu atât gustul și proprietățile nutritive se pierd).

6	Fără stele	-6≤0	Carne proaspătă de porc, vită și pui, pește proaspăt, anumite alimente prelucrate și ambalate etc. (se recomandă să fie consumate în aceeași zi, de preferință în termen de cel mult 3 zile) Alimente prelucrate, ambalate parțial (alimente necongelabile)
7	Răcire	-2≤+3	Carne proaspătă/congelată de porc, vită și pui, produse acvatice etc. (aceste alimente pot fi păstrate cel mult 7 zile la temperaturi sub 0 °C; în cazul păstrării la temperaturi care depășesc 0 °C, se recomandă să fie consumate în aceeași zi, de preferință în termen de cel mult 2 zile) Fructe de mare (aceste alimente pot fi păstrate cel mult 15 zile la temperaturi sub 0 °C; nu se recomandă păstrarea acestora la temperaturi care depășesc 0 °C)
8	Alimente proaspete	0≤+4	Carne proaspătă de porc, vită și pui, mâncare gătită etc. (se recomandă să fie consumate în aceeași zi, de preferință în termen de cel mult 3 zile)
9	Vin	+5≤+20	vin roșu, vin alb, vin spumant etc.

## 8. CURĂȚARE ȘI ÎNTREȚINERE



### ATENȚIE

Deconectați aparatul de la sursa de alimentare cu energie electrică înainte de efectuarea oricăror lucrări de întreținere asupra acestuia. Așteptați cel puțin 5 minute înainte de a reporni aparatul, deoarece pornirea frecventă poate duce la deteriorarea compresorului.

Utilizați numai dispozitive mecanice sau mijloace de grăbire a procesului de dezghețare recomandate de către producător.

Nu încercați să reparați, să dezasamblați sau să modificați aparatul fără ajutorul unui specialist calificat. Pentru reparații, vă rugăm să contactați serviciul de asistență pentru clienți.

Eliminați praful de pe partea posterioară a aparatului cel puțin o dată pe an, pentru a evita pericolul de incendiu, precum și consumul crescut de energie.

Verificați periodic garniturile ușilor, pentru a vă asigura că acestea sunt curate. Curățați garniturile ușilor cu o cârpă moale umezită în apă cu săpun sau în detergent diluat.

Interiorul aparatului trebuie curățat cu regularitate, pentru a se evita formarea mirosurilor neplăcute.

Utilizați o cârpă moale sau un burete pentru a curăța interiorul produsului cu o soluție formată din două linguri de bicarbonat de sodiu și un litru de apă caldă. Apoi clătiți-l cu apă și ștergeți-l.

După curățare, deschideți ușa și lăsați interiorul aparatului să se usuce natural înainte de a porni alimentarea. Se recomandă ca zonele dificil de curățat din interiorul aparatului (cum ar fi zonele înguste sau colțurile) să fie șterse periodic cu o cârpă moale/un burete și, dacă este necesar, să fie utilizate accesoriile de curățat sub formă de bețișoare subțiri, pentru a evita acumularea de impurități sau bacterii în aceste zone.

Ștergeți suprafața exterioară a aparatului cu o cârpă moale, umezită în apă cu săpun sau detergent, apoi ștergeți-o cu o cârpă moale și uscată.

Nu utilizați perii dure, bureți din oțel, perii de sârmă, substanțe abrazive precum paste de dinți, solvenți organici (alcool, acetonă, acetat de amil etc.), apă clocotită, substanțe acide sau alcaline, deoarece acestea pot deteriora suprafețele exterioare și interioare ale aparatului. Apa fierbinte și solvenții organici precum benzenul pot deforma sau deteriora componentele din plastic.



În timpul curățării, nu clătiți aparatul direct cu apă sau cu alte lichide, pentru a evita scurtcircuitele sau deteriorarea izolației electrice.



#### ATENȚIONARE

Vă recomandăm să lăsați aparatul să funcționeze continuu după pornirea acestuia. Ca regulă generală, funcționarea aparatului nu trebuie întreruptă, pentru a nu fi afectată durata de exploatare a acestuia.

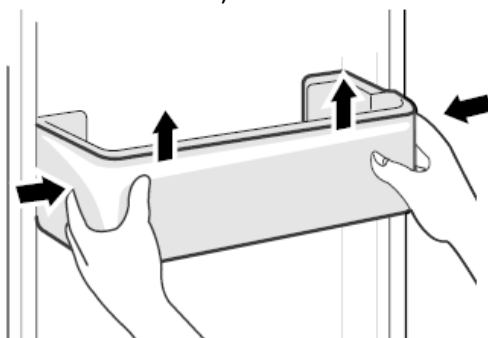
### Dezghețarea

În timp ce aparatul frigorific este în funcțiune, în partea din spate a compartimentului de refrigerare apar picături de condens sau cristale de gheață. Acest lucru este normal. Nu este necesar să îndepărtați prin ștergere condensul sau gheața. Panoul posterior se dezgheață automat. Condensul se scurge în canalul de condensare și este transportat într-un spațiu de unde se evaporă.

**Notă:** Păstrați curate canalul de condensare și orificiul de evacuare a apei, astfel încât condensul să se poată scurge.

### Curățarea rafturilor de pe uși

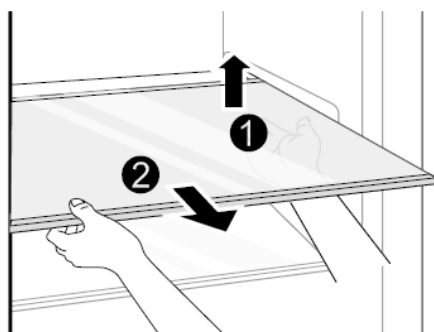
Conform direcțiilor arătate de săgeți, strângeți raftul cu ambele mâni și împingeți-l în sus, apoi îl puteți scoate. După spălarea raftului, acesta poate fi montat la înălțimea dorită.



### Curățarea rafturilor din sticlă

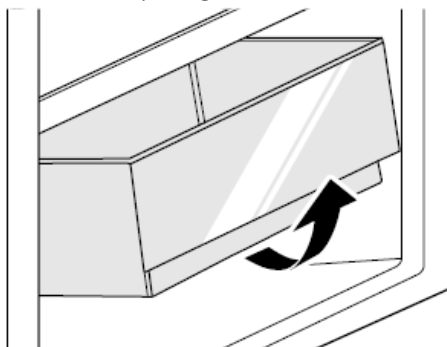
Deoarece rafturile sunt fixate de peretele posterior din interiorul frigiderului, este mai întâi necesar să le ridicați pentru a de desprinde.

Curățați rafturile și poziționați-le la înălțimea dorită.



## Curățarea sertarului pentru legume

Scoateți produsele din sertar. Prindeți sertarul de mâner și trageți-l către exterior până la oprirea acestuia. Scoateți sertarul pentru legume prin ridicarea și tragerea acestuia către exterior.



### ATENȚIONARE

Diferențe: Date fiind modificările de ordin tehnic, este posibil ca unele dintre ilustrațiile din acest manual să nu reflecte cu exactitate aspectul produsului propriu-zis.

## 9. DEPANARE

Următoarele probleme simple pot fi soluționate de către utilizator. În cazul în care problemele nu pot fi soluționate, vă rugăm să contactați serviciul de asistență post-vânzare.

Problemă	Cauze posibile	Soluție
Aparatul nu funcționează.	Sursa de alimentare nu este pornită sau ștecărul nu este introdus corespunzător în priză. Tensiune scăzută, întrerupere a furnizării de energie electrică sau activarea dispozitivului de protecție a circuitului.	Conectați corespunzător ștecărul. Verificați sursa de alimentare disponibilă în locul de utilizare.
Lumina nu se aprinde.	Aparatul nu este pornit. Lampa este defectă.	Deconectați ștecărul de la sursa de alimentare, apoi reconectați-l. Înlocuiți becul lămpii.
Fructele sau legumele sunt congelate.	Alimentele au fost așezate în partea posterioară a interiorului aparatului? Zona din partea posterioară a interiorului aparatului este cea care prezintă cele mai reduse valori de temperatură. Fructele sau legumele sunt depozitate în zona „Fresh/Chill”.	Nu puneți în partea posterioară din interiorul compartimentului de refrigerare alimente care pot îngheța ușor. Zona „Fresh/Chill” este numai pentru carne/pește.
Compartimentul de refrigerare/compartimentul de congelare răcește excesiv.	Butonul de reglare a temperaturii nu este în poziția corespunzătoare.	Setați temperatura la un nivel superior.

Compresorul funcționează pentru o perioadă îndelungată.	Temperatura ambiantă ridicată determină o de funcționare îndelungată. Ați introdus prea multe alimente în aparat. Alimentele au fost introduse în aparat înainte de a se răci la temperatura camerei. Ușa a fost deschisă prea des. Stratul de gheață din interiorul aparatului este prea gros.	Acest lucru este normal. Nu introduceți prea multe alimente în aparat. Înainte de a introduce alimentele în aparat, lăsați-le să se răcească. Nu deschideți foarte des ușa aparatului. Este necesară decongelarea.
Ușa nu se închide corespunzător.	Ușa este blocată de obiecte. Ați pus prea multe alimente în aparat. Garnitura ușii este deformată.	Nu puneți prea multe alimente în aparat. Puneți aparatul într-o poziție stabilă. Încălziți garnitura, apoi răciți-o (încălziți-o cu un uscător electric sau cu apă fierbinte).
Peretele exterior este fierbinte.	Atunci când aparatul funcționează, căldura este disipată spre exterior prin tuburile metalice din interiorul aparatului. Temperaturile ambiante mai ridicate din timpul verii determină creșterea temperaturii peretelui exterior.	Temperatura mai ridicată la nivelul peretelui exterior este normală. Măriți spațiul necesar disipării căldurii sau puneți aparatul într-un loc ventilat și răcoros.
Mirosuri neplăcute.	Alimente alterate. Alimente cu mirosuri puternice. Interiorul aparatului este murdar.	Curățați zona și îndepărtați alimentele alterate. Asigurați-vă că alimentele cu miros puternic sunt ambalate ermetic. Curățați interiorul aparatului.
Temperatura reală diferă de temperatura setată.	Atunci când se introduc alimente calde, temperatura va crește temporar. După setarea unei temperaturi noi, va dura ceva timp până când temperatura din compartiment va ajunge la valoarea setată atunci când ușa nu este deschisă. După stabilizarea temperaturii, valorile reale ale temperaturii din diferite zone ale aparatului sunt diferite, cu o abatere de aproximativ $\pm 3$ °C.	Acest lucru este normal. Așteptați ceva timp înainte de a testa temperatura reală.
Se formează condens la exterior.	Condensul se poate forma atunci când umiditatea din încăperea este ridicată.	Acest lucru este normal. Îndepărtați condensul cu o lavetă uscată.
Se formează condens în interiorul frigiderului și al sertarelor.	Frigiderul menține o umiditate ridicată pentru a păstra legumele și alte produse alimentare proaspete. Umiditatea este prea mare în cameră, iar ușile au fost deschise frecvent. Garnitura ușii nu etanșează corespunzător.	Îndepărtați condensul cu o lavetă uscată. Nu deschideți ușile frecvent și nu le lăsați deschise prea mult timp. Verificați garnitura ușii, curățați-o sau poziționați-o corect.

Ușa se deschide cu dificultate.	Din cauza diferenței de presiune a aerului dintre interiorul și exteriorul aparatului, deschiderea ușii congelatorului se poate face uneori cu dificultate.	Așteptați câteva momente, apoi încercați să deschideți ușa încet.
---------------------------------	---	---

În timpul utilizării normale a aparatului, se pot auzi anumite zgomote, care nu afectează funcționarea corectă a acestuia.

Zgomote care pot fi prevenite cu ușurință:

- Zgomot cauzat de faptul că aparatul nu este echilibrat - echilibrați aparatul cu ajutorul picioarelor frontale reglabile. Alternativ, puneți protecții din material moale sub rolele din spate, în special atunci când aparatul este amplasat pe gresie.
- Aparatul atinge articole de mobilier învecinate - deplasați aparatul.
- Sertarele sau rafturile scârțâie - scoateți și puneți la loc sertarul sau raftul.
- Sunete de sticle care se ciocnesc - îndepărtați sticlele unele de celelalte.

Sunetele pe care le puteți auzi în timpul utilizării normale sunt cauzate în principal de funcționarea (pornirea) compresorului și sistemului de răcire (dilatarea și contracția termică a radiatorului cauzate de curgerea agentului de răcire).

#### SERVICE ȘI ASISTENȚĂ PENTRU CLIEȚI

Utilizați numai piese de schimb originale.

Când contactați centrul nostru de service autorizat, asigurați-vă că aveți la îndemână următoarele informații: Denumirea modelului și numărul de serie.

Informațiile pot fi găsite pe plăcuța cu date tehnice. Acestea pot suferi modificări fără o notificare prealabilă.

#### DATE TEHNICE

Informațiile tehnice se află pe plăcuța cu date tehnice din interiorul aparatului și pe eticheta energetică.

Codul QR de pe eticheta energetică furnizată împreună cu aparatul oferă un link web către informațiile din baza de date EPREL cu privire la performanțele aparatului.

Păstrați eticheta energetică pentru consultări ulterioare, împreună cu manualul de utilizare și cu toate celelalte documente furnizate împreună cu acest aparat.

De asemenea, puteți găsi aceleași informații în baza de date EPREL, folosind link-ul <https://eprel.ec.europa.eu> și denumirea modelului și numărul de serie al produsului, pe care le găsiți pe plăcuța cu date tehnice a aparatului.

Pentru a accesa informații despre produsul dumneavoastră în portalul EPREL, puteți scana codurile de mai jos:



Vă mulțumim pentru achiziționarea acestui produs! Dacă aveți nevoie de asistență în ceea ce privește produsul dumneavoastră, vizitați site-ul nostru web utilizând linkurile de mai jos.

**Obțineți manuale de utilizare:** <https://www.heinner.ro>

**Obțineți informații privind reparațiile:** <https://www.heinner.ro>

**Eliminarea deșeurilor în mod responsabil față de mediu**

Puteți ajuta la protejarea mediului!

Va rugăm să respectați reglementările locale, prin predarea echipamentelor electrice nefuncționale unui centru de colectare a echipamentelor electrice uzate.



**HEINNER** este marcă înregistrată a companiei **Network One Distribution SRL**. Celelalte branduri și denumirile produselor sunt mărci de comerț sau mărci de comerț înregistrate ale respectivilor deținători.

Nicio parte a specificațiilor nu poate fi reprodusă sub nicio formă și prin niciun mijloc, nici utilizată pentru obținerea unor derivate precum traduceri, transformări sau adaptări, fără consimțământul prealabil al companiei NETWORK ONE DISTRIBUTION.

Copyright © 2013 Network One Distribution. Toate drepturile rezervate.

[www.heinner.com](http://www.heinner.com), <http://www.nod.ro>



Acest produs este proiectat și realizat în conformitate cu standardele și normele Comunității Europene.



Producător și Importator: **Network One Distribution**

Str. Marcel Iancu, nr. 3-5, București, România

Tel: +40 21 211 18 56, [www.heinner.com](http://www.heinner.com), [www.nod.ro](http://www.nod.ro)

# ХЛАДИЛНИК

Модел:

**HF-M113E++**



- Общ капацитет: 113 л
- Енергиен клас: E

**HEINNER**

## 1. ВЪВЕДЕНИЕ

Моля, прочетете внимателно инструкциите и запазете ръководството за бъдеща информация. Настоящото ръководство е предназначено да даде всички необходими инструкции относно монтажа, използването и поддръжката на уреда. За да работите с уреда правилно и безопасно, моля, прочетете внимателно това ръководство за употреба преди монтажа и използването му.

## 2. СЪДЪРЖАНИЕ НА ОПАКОВКАТА

- ➔ Хладилник
- ➔ Ръководство за употреба
- ➔ Гаранционен сертификат




## 3. ПРЕДУПРЕЖДЕНИЯ ЗА БЕЗОПАСНОСТ

Преди да включите уреда за първи път, моля, прочетете следните указания за безопасност!

Този уред е предназначен за използване в домашни условия и подобни приложения, като кухни за персонала в магазини, офиси и други работни среди; селски къщи и от клиенти в хотели, мотели и други жилищни среди; среди от типа "нощувка и закуска"; кетъринг и подобни приложения, които не са предназначени за търговия на дребно.

Този уред не е предназначен за използване от лица (включително деца) с намалени физически, сетивни или умствени способности или с липса на опит и познания, освен ако не са били наблюдавани или инструктирани относно използването на уреда от лице, отговорно за тяхната безопасност.

### Обяснение на термините/символите

	<b>ОПАСНОСТ</b> Този символ указва, че съществува опасност за живота и здравето на хората поради изключително запалим газ.
	<b>ПРЕДУПРЕЖДЕНИЕ</b> Сигналната дума указва средна опасност, която, ако не бъде избегната, може да доведе до смърт или сериозни наранявания.
	<b>ВНИМАНИЕ</b> Сигналната дума указва ниска степен на опасност, която, ако не бъде избегната, може да доведе до леки или средни наранявания.
	<b>ВНИМАНИЕ</b> Сигналната дума указва важна информация (напр. материални щети), но не и опасност.

**Важно:** Обръщайте особено внимание на съобщенията, които съдържат думите **ОПАСНОСТ**, **ПРЕДУПРЕЖДЕНИЕ** или **ВНИМАНИЕ**. Тези думи се използват, за да ви предупредят за потенциална опасност, която може сериозно да нарани вас и други хора.

Инструкциите ще ви кажат как да намалите вероятността от нараняване и ще ви информират какво може да се случи, ако инструкциите не се спазват.

**Внимание:** Тези инструкции за работа са общи. Това означава, че някои функции се отнасят за вашия хладилник/фризер, а други не.

Непрекъснато работим върху по-нататъшното развитие и усъвършенстване на нашите типове и модели уреди. Поради това си запазваме правото да правим промени в дизайна, оборудването и аксесоарите на всички типове и модели без предварително уведомление.

## Обща безопасност



### Риск от пожар/запалими материали

Хладилният агент и циклопентановата пяна, използвани в уреда, са запалими. Поради това, когато уредът се бракува, той трябва да се съхранява далеч от всякакви източници на огън и да се оползотворява от специализирана фирма за оползотворяване с подходяща квалификация, а не да се изхвърля чрез изгаряне, за да се предотврати увреждане на околната среда или други вреди.



### ПРЕДУПРЕЖДЕНИЕ

- Децата трябва да бъдат наблюдавани, за да се гарантира, че няма да си играят с уреда.
- Ако хранващият кабел е повреден, той трябва да бъде заменен от производителя, неговия сервизен представител или от лица с подобна квалификация, за да се избегне опасност.
- Не съхранявайте в този уред взривоопасни вещества, като например аерозолни флакони със запалим пропелент.
- Уредът трябва да бъде изключен от електрическата мрежа след употреба и преди извършване на потребителска поддръжка на уреда.
- Поддържайте вентилационните отвори, в корпуса на уреда или във вградената конструкция, свободни от препятствия.
- Не използвайте механични устройства или други средства за ускоряване на процеса на размразяване, различни от препоръчаните от производителя.
- Не повреждайте веригата на хладилния агент.
- Не използвайте електрически уреди вътре в отделенията за съхранение на храна на уреда, освен ако не са от типа, препоръчан от производителя.
- Моля, изоставете хладилника в съответствие с местните регулатори, тъй като в него се използват запалими газове за обдухване и хладилен агент.
- Когато позиционирате уреда, уверете се, че хранващият кабел не е захванат или повреден.
- Не разполагайте множество преносими контакти или преносими хранващи устройства в задната част на уреда.
- Не използвайте удължителни кабели или незаземени (двуцифтови) адаптери.
- За да се избегне опасност, дължаща се на нестабилност на уреда, той трябва да бъде закрепен в съответствие с инструкциите.
- Хладилникът трябва да бъде изключен от източника на електрическо хранване, преди да се опитате да монтирате аксесоар. Уверете се, че хранващият кабел не е захванат от хладилника. Не стъпвайте върху хранващия кабел.
- За свободностоящ уред: този хладилен уред не е предназначен за използване като уред за вграждане.

## Ежедневна употреба



### ВНИМАНИЕ

- Не издърпвайте хранващия кабел, когато дърпате щепсела на хладилника. Моля, хванете здраво щепсела и го издърпайте директно от контакта.
- За да осигурите безопасна употреба, не повреждайте хранващия кабел и не използвайте хранващия кабел, когато той е повреден или износен.

- Моля, използвайте специален контакт за захранване и контактът за захранване не трябва да се използва съвместно с други електрически уреди.
- Щепселът на захранващия кабел трябва да е здраво свързан с контакта, в противен случай може да се предизвика пожар.
- Моля, уверете се, че заземителният електрод на захранващия контакт е оборудван с надеждна заземителна линия.
- Хладилникът се използва само при захранване с еднофазен променлив ток 220~240V/50Hz.
- Моля, изключете вентила на изтичащия газ и след това отворете вратите и прозорците в случай на изтичане на газ и други запалими газове.
- Не изключвайте хладилника и други електрически уреди от електрическата мрежа, като се има предвид, че искрата може да предизвика пожар.
- Не използвайте електрически уреди върху горната част на уреда, освен ако те не са от типа, препоръчан от производителя.
- Пролуките между вратите на хладилника и между вратите и корпуса на хладилника са малки, имайте предвид да не поставяте ръката си в тези области, за да предотвратите от притискане на пръста. Моля, бъдете внимателни, когато затваряте вратата на хладилника, за да избегнете падане на предмети.
- Не вземайте храни или контейнери с мокри ръце в камерата за замразяване, когато хладилникът работи, особено метални контейнери, за да избегнете измръзване.
- Не позволявайте на деца да влизат в хладилника или да се качват по него; в противен случай може да се стигне до задушаване или нараняване на детето при падане.
- Не поставяйте тежки предмети в горната част на хладилника, като се има предвид, че целите могат да паднат при затваряне или отваряне на вратата и да бъдат причинени случайни наранявания.
- Не поставяйте запалими, експлозивни, летливи и силно корозивни предмети в хладилника, за да предотвратите повреди на продукта или инциденти с пожар.
- Не поставяйте запалими предмети в близост до хладилника, за да избегнете пожари.
- Хладилникът е предназначен за домашна употреба, като например за съхранение на храни; той не трябва да се използва за други цели, като например за съхранение на кръв, лекарства или биологични продукти и др.
- Не съхранявайте бира, напитки или други течности, съдържащи се в бутилки или затворени контейнери, във фризерната камера на хладилника; в противен случай бутилките или затворените контейнери могат да се напукат вследствие на замразяването и да причинят повреди.



### ПРЕДУПРЕЖДЕНИЕ

**За стандарта на ЕС:** Този уред може да се използва от деца на възраст от 8 години и нагоре и от лица с намалени физически, сетивни или умствени способности или с липса на опит и познания, ако са получили надзор или инструкции относно използването на уреда по безопасен начин и разбират свързаните с него опасности. Децата не трябва да си играят с уреда. Децата не трябва да извършват почистване и поддръжка без надзор.

За да избегнете замърсяване на храната, спазвайте следните инструкции:


- Отварянето на вратата за продължителни периоди от време може да доведе до значително повишаване на температурата в отделенията на уреда.
- Почиствайте редовно повърхностите, които могат да влязат в контакт с храна, и достъпните дренажни системи.
- Съхранявайте суровото месо и рибата в подходящи съдове в хладилника, така че да не влизат в контакт с други храни или да не капят върху тях.
- Отделенията за замразени храни с две звезди са подходящи за съхранение на предварително замразени храни, съхранение или приготвяне на сладолед и приготвяне на кубчета лед (Забележка 1) (\*).

- Отделенията с 1 звезда, 2 звезди и 3 звезди не са подходящи за замразяване на прясна храна (Забележка 2) (\*).
- За уреди без отделение с 4 звезди: този хладилен уред не е подходящ за замразяване на хранителни продукти (Бележка 3) (\*).
- Ако хладилният уред остане празен за продължителни периоди от време, изключете го, размразете, почистете, подсушете и оставете вратата отворена, за да предотвратите появата на мухъл в уреда.

Бележка 1, 2, 3: Моля, потвърдете дали е приложимо според типа на отделението на вашия продукт. (\*): Тази функция варира в зависимост от закупения модел.

 Символ "4 звезди": има възможност за бързо замразяване на определено количество храна.

 Символ "3 звезди": Фризерът е с температура - 18 °C или по-ниска.

 Символ "2 звезди": Фризерното отделение е с температура - 12 °C или по-ниска.

 Символ "1 звезда": Фризерно отделение с целева температура и условия на съхранение от -6 °C.



### ВНИМАНИЕ

Този продукт не се препоръчва за използване с контакти или главен ключ с функция AFCI/ GFCI, в противен случай може да предизвика фалшиво задействане.

1. Той не може да представлява риск за безопасността, когато се задейства.
2. Ако сработването продължава, се препоръчва да замените контактите или главния ключ с модели, които не са оборудвани с AFCI/GFCI.



### ПРЕДУПРЕЖДЕНИЕ

Риск от заклещване на дете. Преди да изхвърлите стария си хладилник или фризер:

- Свалете вратите.
- Оставете рафтовете на място, така че децата да не могат лесно да се покатерят вътре.

## Опазване на околната среда

### Изхвърляне на стари електрически уреди по начин, щадящ околната среда

Този символ на зачеркнат контейнер на колелца показва, че отпадъците от електрически и електронни продукти (ОЕЕО) трябва да се изхвърлят отделно от потока битови отпадъци.

Старите електрически продукти могат да съдържат опасни вещества, така че правилното изхвърляне на стария ви уред ще ви помогне да предотвратите потенциални негативни последици за околната среда и човешкото здраве. Старият ви уред може да съдържа части за повторна употреба, които могат да се използват за ремонт на други продукти, както и други ценни материали, които могат да се рециклират, за да се запазят ограничените ресурси.



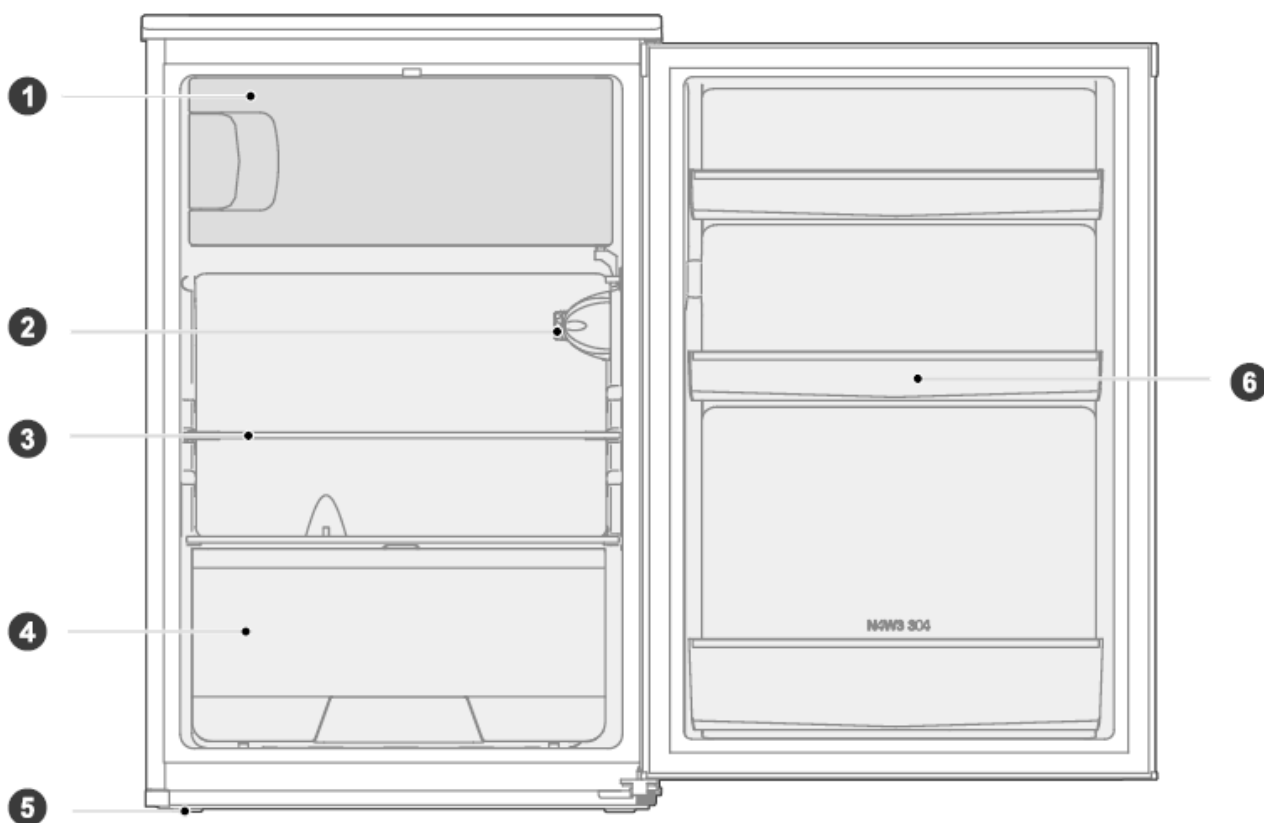
### Информация за опаковката

Опаковъчните материали на продукта са произведени от материали, които могат да се рециклират, в съответствие с нашите национални разпоредби за опазване на околната среда. Не изхвърляйте

опаковъчните материали заедно с битови или други отпадъци. Занесете ги в пунктовете за събиране на опаковъчни материали, определени от местните власти.



## 4. ОПИСАНИЕ НА ПРОДУКТА



1. Малка врата	4. Кутия за плодове и зеленчуци
2. Копче за регулиране на температурата	5. Нивелиращи крачета
3. Стъклен рафт	6. Рафт за бутилки

За най-ефективно използване на енергията, моля, дръжте всички вътрешни елементи, като тави, чекмеджета, рафтове и тава за кубчета лед, в позицията, посочена от производителя.

Този хладилен уред трябва да се монтира самостоятелно и не може да се използва като уред за вграждане. В противен случай производителността и експлоатационният живот на уреда ще бъдат намалени и производителят не предоставя гаранция.



### ВНИМАНИЕ

**Различия:** В случай на необходимост, ако е необходимо, може да се изчака и да се изчака: Поради технически промени някои от илюстрациите в това ръководство може да не отразяват точно външния вид на действителния продукт.

## 5. ИНСТРУКЦИИ ЗА ИНСТАЛИРАНЕ

### Преди първата употреба

Отстранете външната и вътрешната опаковка, избършете добре външната част с мека суха кърпа, а вътрешната - с влажна, хладка кърпа.

Избягвайте да поставяте шкафа в тясна ниша или в близост до източник на топлина, пряка слънчева светлина или влага.

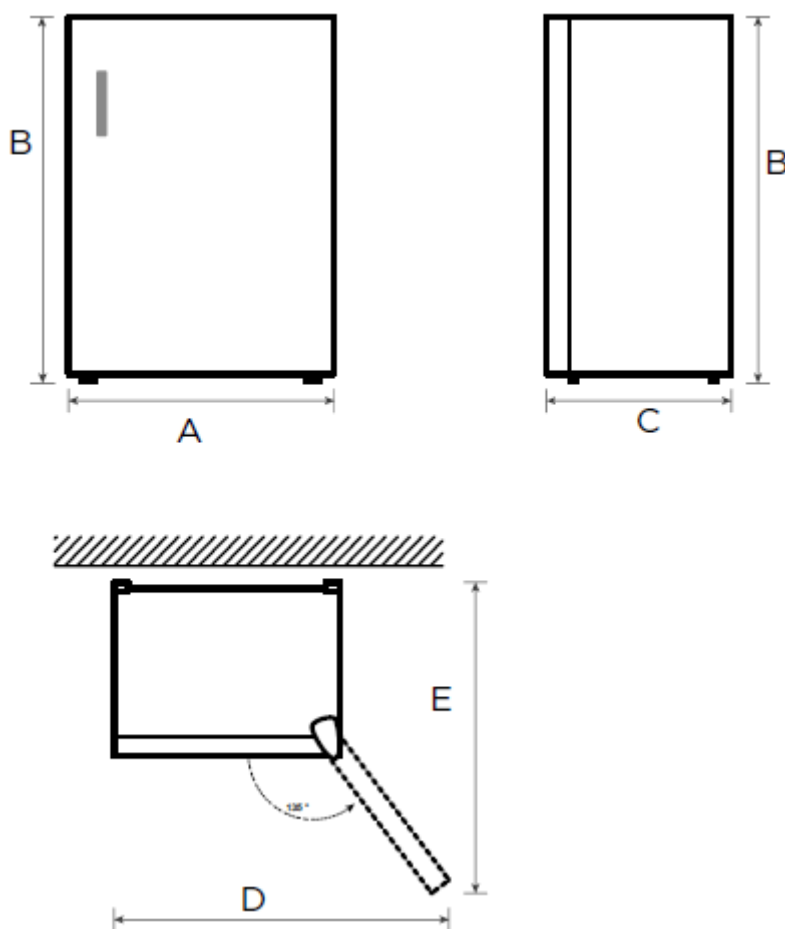
Поддържайте свободна циркулация на въздуха около шкафа. Когато инсталирате устройството, осигурете 10 см свободно пространство от двете страни, 10 см в горната част на устройството и не повече от 10 см в задната част на устройството.

Преди да свържете хладилника към електрическата мрежа, проверете дали напрежението, посочено на етикета с номиналните стойности на уреда, съответства на напрежението в дома ви. Различното напрежение може да повреди уреда.

След свързване на уреда към електрозахранването изчакайте 2-3 часа, преди да поставите храна в уреда. Ако поставите храната, преди уредът да се е охладил, има риск тя да се развали.

Уредът трябва да е заземен. Производителят не носи отговорност за повреди, които могат да възникнат в резултат на използване без заземяване.

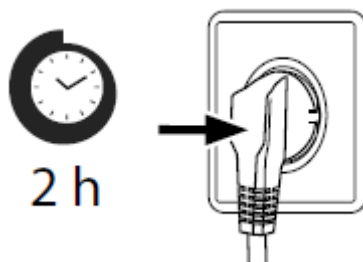
### Изискване за пространство



A	B	C	D	E
553 мм	845 мм	574 мм	935 мм	940 мм

## Свързване на уреда

След като инсталирате продукта, моля, оставете го да престои повече от 2 часа, преди да включите захранването, в противен случай това ще доведе до намаляване на капацитета на охлаждане или до повреда на продукта.



Оставете уреда да работи празен в продължение на 24 часа, за да може отделението да се охлади до подходяща температура.



### ВНИМАНИЕ

Хладилникът винаги трябва да се включва към отделен електрически контакт, който има номинално напрежение, съответстващо на табелката с номиналното напрежение.

Когато позиционирате уреда, се уверете, че захранващият кабел не е захванат или повреден.

## Температура на околната среда

В зависимост от климатичния клас този хладилник е предназначен за използване при диапазон на температурата на околната среда, както е посочено в следващата таблица.

Продуктът може да не работи правилно при температури извън конкретния диапазон.

Можете да намерите климатичния клас върху етикета на продукта.

Климатичен клас	Температура на околната среда
SN	+10 °C до +32 °C
N	+16 °C до +32 °C
ST	+16 °C до +38 °C
T	+16 °C до +43 °C

Ако имате някакви съмнения относно монтажа, обърнете се към продавача, към нашата служба за обслужване на клиенти или към най-близкия оторизиран сервизен център.

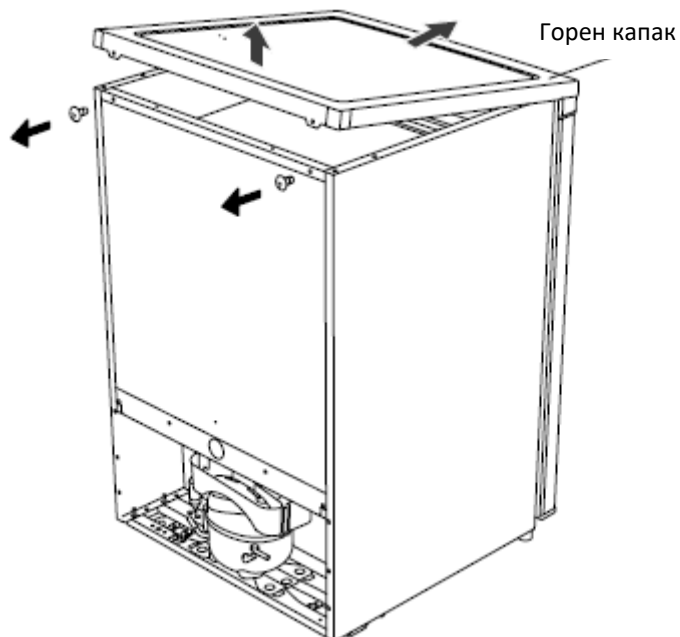


### ВНИМАНИЕ

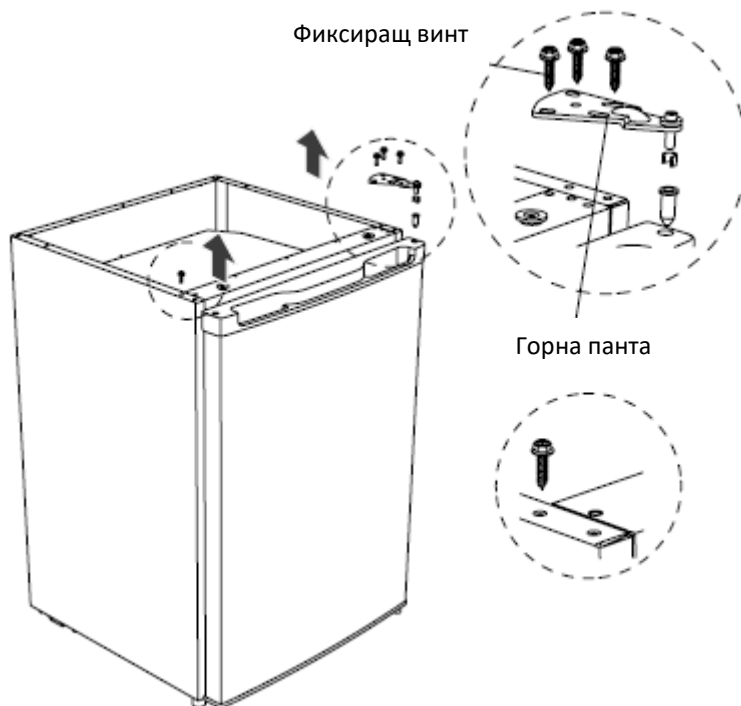
Ефективността на охлаждане и консумацията на енергия на хладилника могат да бъдат повлияни от температурата на околната среда, честотата на отваряне на вратата и местоположението на хладилника. Препоръчваме ви да регулирате настройките на температурата по подходящ начин.

## Обръщане на вратата

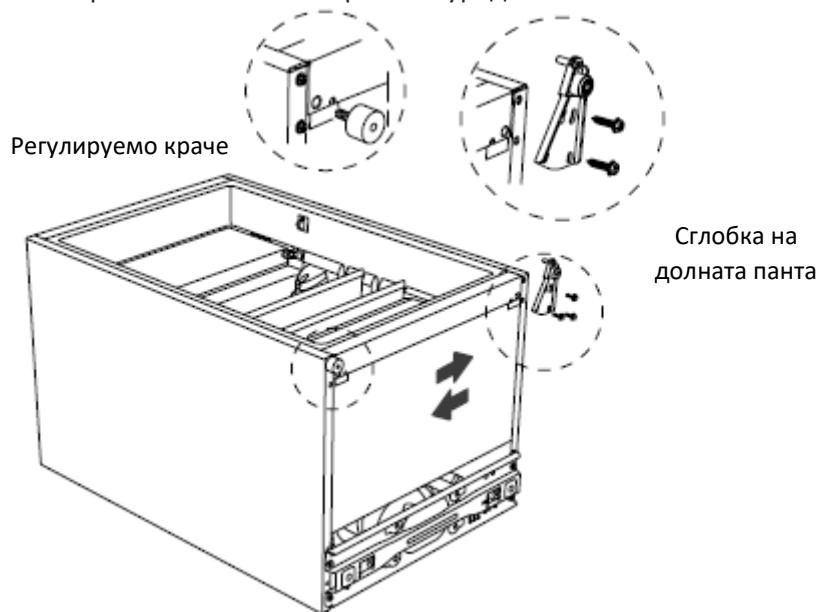
1. Изключете уреда и извадете всички предмети от рафтовете на вратата.



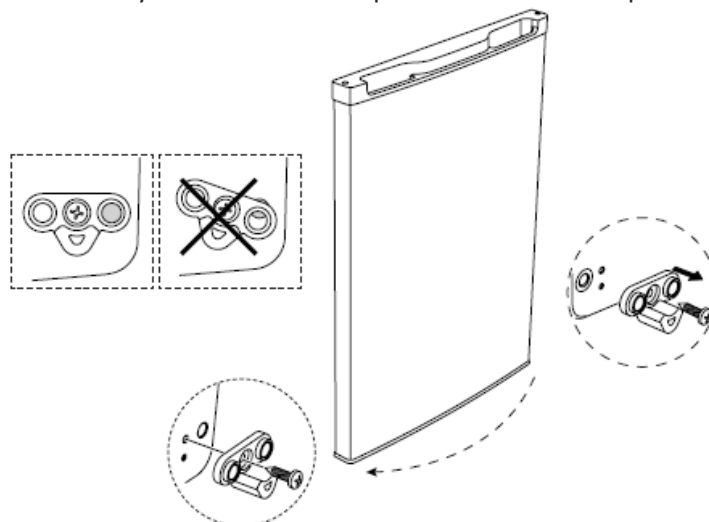
2. Демонтирайте горния капак и винтовете, закрепващи горната панта, след което свалете горната панта. Дръжте вратата във вертикално положение по време на целия процес, за да предотвратите падането ѝ.



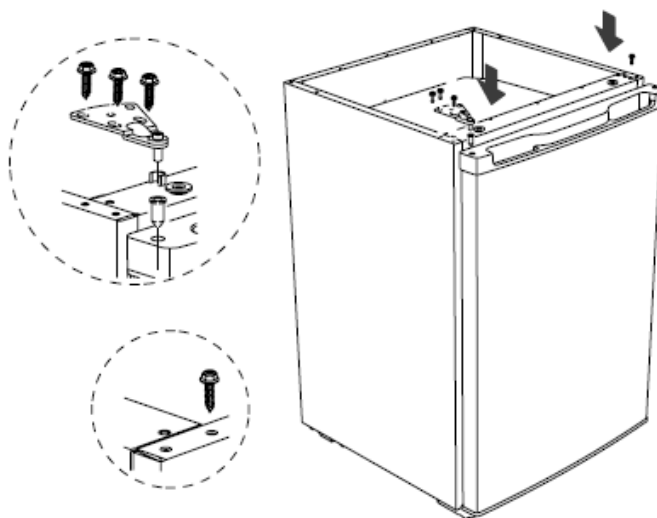
3. Отстранете вратата, долната панта и регулируемото краче, след което монтирайте долната панта и регулируемото краче от противоположната страна на уреда.



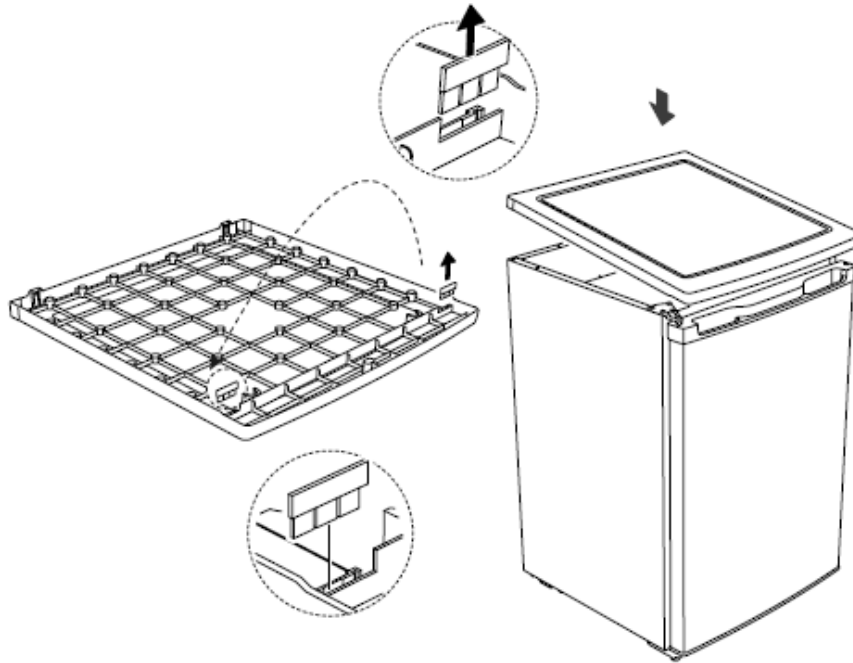
4. Монтирайте ограничителя и втулката на вала от противоположната страна.



5. Поставете вратата върху долната панта и закрепете горната панта с помощта на винтовете.



6. Преместете декоративната клапа на горния капак от лявата към дясната страна. Прикрепете горния капак на хладилника.



#### ВНИМАНИЕ

Различия: При изработването на хладилната витрина не се спазват изискванията за безопасност: Поради технически промени и различни модели някои от илюстрациите в това ръководство може да се различават от вашия модел.



### Нивелиращи крачета

За да се избегнат вибрации, уредът трябва да се нивелира.

Ако е необходимо, регулирайте нивелиращите крачета, за да компенсирате неравностите на пода.

Предната част трябва да е малко по-висока от задната, за да се улесни затварянето на вратата.

Нивелиращите крачета могат да се завъртят лесно, като леко наклоните шкафа.

Завъртете нивелиращите крачета обратно на часовниковата стрелка  , за да повдигнете уреда, а по часовниковата стрелка  , за да го спуснете.

### Смяна на светлината

Всяка подмяна или поддръжка на светодиодните лампи е предназначена да се извършва от производителя, негов сервизен агент или подобно квалифицирано лице.

### Преместване на уреда

1. Извадете всички предмети от уреда.
2. Издърпайте щепсела на захранването, поставете го и го фиксирайте в кука на щепсела на захранването в задната или горната част на уреда.
3. Залепете части като рафтовете и вратата, за да предотвратите падането им при преместването на уреда.
4. Премествайте уреда с повече от двама души внимателно. Когато транспортирате уреда на голямо разстояние, дръжте уреда в изправено положение.

## Съвети за пестене на енергия

Не поставяйте уреда в близост до готварски печки, радиатори или други източници на топлина. Ако температурата на околната среда е висока, компресорът ще работи по-често и по-дълго, което води до повишена консумация на енергия.

Уверете се, че в основата на уреда, отстрани на уреда и в задната част на уреда има достатъчна вентилация.

Спазвайте също така размерите на разстоянията в глава "Монтаж".

Разположението на чекмеджетата, рафтовете и таблата, както е показано в прегледа на продукта, предлага най-ефективно използване на енергията и трябва да се запази, доколкото е възможно.

За да се получи по-голямо пространство за съхранение (напр. за големи хладилни/замразени стоки), средните чекмеджета и рафтове могат да се премахнат. Горните и долните чекмеджета и рафтове трябва да се демонтират последни, ако е необходимо.

Равномерно запълненото отделение на хладилника/фризера допринася за оптималното използване на енергията.

Оставете топлата храна да се охлади, преди да я поставите в отделението на хладилника/фризера. Храната, която вече се е охладила, увеличава енергийната ефективност.

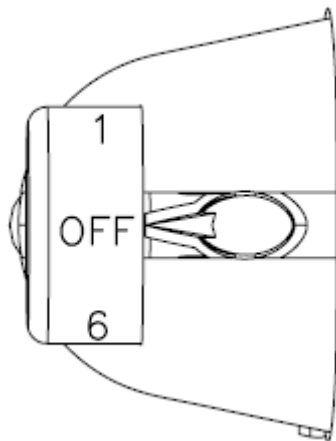
Оставете замразената храна да се размрази в хладилното отделение. Студенината на замразената храна намалява потреблението на енергия в хладилното отделение и по този начин увеличава енергийната ефективност.

Отваряйте вратата само за кратко, колкото е необходимо, за да намалите до минимум загубата на студ. Отварянето на вратата за кратко и правилното ѝ затваряне намалява консумацията на енергия.

Задаването на температура не по-ниска от необходимото допринася за оптималното използване на енергията.

Уплътненията на вратата на вашия уред трябва да са напълно изправни, за да се затварят правилно и да не се увеличава излишно консумацията на енергия.

## 6. ПАНЕЛ ЗА УПРАВЛЕНИЕ



Цифрите не показват точна температура, а температурно ниво.

- "1" е настройката за най-високата температура.
- "6" е настройката за най-ниската температура.
- Колкото по-висока е цифрата, толкова по-ниска е вътрешната температура на хладилника.
- "OFF" (Изключено) означава, че работата е спряна.
- Препоръчителна настройка: "3".



### ВНИМАНИЕ

В зависимост от закупения модел контролният панел може да се различава леко.

## 7. СЪХРАНЕНИЕ НА ХРАНА

### Фризерно отделение

Фризерното отделение е предназначено за замразяване на храна при ниски температури, за дългосрочно съхранение на замразена храна и за приготвяне на кубчета лед.

Обърнете внимание на звездните класове (4 звезди, 2 звезди и 1 звезда) във фризерното отделение и произтичащото от тях време за съхранение на замразени храни.

Не поставяйте прясна и замразена храна една до друга. Замразената храна може да се размрази.

Когато замразявате големи количества прясна храна (например месо, риба или кайма), разделете я на няколко малки парчета, преди да я поставите във фризера, за да се замрази бързо и да се извади лесно.

Спазвайте времето за съхранение, препоръчано от производителя на храната върху опаковката; ако няма информация върху опаковката, храната не трябва да се съхранява замразена за повече от три месеца от датата на закупуване.

Когато купувате замразена храна, уверете се, че тя е била замразена при правилната температура и че опаковката не е повредена.

Замразените храни трябва да се съхраняват в подходящи индивидуални опаковки, за да се гарантира, че съседните храни няма да бъдат замърсени. Консумирайте размразената и размразената храна незабавно, не я замразявайте отново.

В случай на продължително прекъсване на електрозахранването или неизправност на уреда, извадете съхраняваната замразена храна и проверете дали все още е годна за консумация, след което я съхранявайте на достатъчно хладно място или в друг уред.

За да размразите храната, извадете я от фризера и я оставете да се размрази на стайна температура или в хладилника. За бързо размразяване на храната можете да използвате функцията за размразяване на микровълновата фурна, например.

Ако искате да размразите само част от опаковката, извадете частта, която ви е необходима, и затворете останалата част от опаковката веднага. Това ще предотврати изгарянето във фризера и ще намали образуването на лед върху останалата част от храната.

### Отделение за охлаждане

За да намалите влагата и последващото образуване на лед, никога не поставяйте течности в хладилника в незапечатани съдове.

Замръзването има тенденция да се концентрира в най-хладните части на изпарителя. Съхраняването на течности без капак ще доведе до по-често размразяване.

Никога не поставяйте гореща храна в хладилника. Оставете ги да се охладят до стайна температура, преди да ги поставите в хладилника, за да осигурите правилна циркулация на въздуха.

Храната или контейнерите за храна не трябва да се допират до задната част на хладилника, тъй като могат да замръзнат към стената. Не отваряйте редовно вратата на хладилника.

Месото и чистата риба (опаковани или увити в пластмаса) могат да се поставят в хладилника за 1-2 дни.

Неопакованите плодове и зеленчуци могат да се поставят в секцията за пресни плодове и зеленчуци.



#### ВНИМАНИЕ

Съхраняването на твърде много храна по време на работа след първоначалното включване към захранването може да повлияе неблагоприятно на замразяващия ефект на хладилника.

### Време за съхранение и отделение

Забележка: Прекалено дългото съхранение или съхранението при неподходяща температура на замразяване може да доведе до загуба на качество или разваляне на храните, което води до

разхищение на храна, негодна е за консумация и може да причини хранително отравяне. Минималната температура в повечето случаи трябва да бъде  $-18\text{ }^{\circ}\text{C}$  или по-ниска.

Поръчките	Отделения ТИП	Целева температура на съхранение [ $^{\circ}\text{C}$ ]	Подходяща храна
1	Хладилник	$+2\leq+6$	Яйца, готвена храна, пакетирана храна, плодове и зеленчуци, млечни продукти, сладкиши, напитки и други храни не са подходящи за замразяване.
2	(***)*-фризер	$\leq-18$	Морски дарове (риба, скариди, ракообразни), сладководни водни продукти и месни продукти (препоръчва се за 3 месеца, колкото по-дълго е времето за съхранение, толкова по-лоши са вкусът и хранителните качества), подходящи за замразяване на пресни храни.
3	***-фризер	$\leq-18$	Морски дарове (риба, скариди, ракообразни), сладководни водни продукти и месни продукти (препоръчва се за 3 месеца, колкото по-дълго е времето за съхранение, толкова по-лош е вкусът и хранителните стойности), не са подходящи за замразени пресни храни.
4	** -фризер	$\leq-12$	Морски дарове (риба, скариди, ракообразни), сладководни водни продукти и месни продукти (препоръчва се за 2 месеца, колкото по-дълго е времето за съхранение, толкова по-лоши са вкусът и хранителните качества), не са подходящи за замразени пресни храни.
5	*фризер	$\leq-6$	Морски дарове (риба, скариди, черупчести), сладководни водни продукти и месни продукти (препоръчва се за 1 месец, колкото по-дълго е времето за съхранение, толкова по-лоши са вкусът и хранителните качества), не са подходящи за замразени пресни храни.
6	0 звезди	$-6\leq 0$	Прясно свинско месо, говеждо месо, риба, пилешко месо, някои пакетирани преработени храни и т.н. (Препоръчва се да се консумират в рамките на същия ден, за предпочитане не повече от 3 дни). Частично капсулирани преработени храни (храни, които не могат да се замразяват)
7	Охлаждане	$-2\leq+3$	Прясно/замразено свинско месо, говеждо месо, пилешко месо, сладководни водни продукти и т.н. (7 дни под $0\text{ }^{\circ}\text{C}$ и над $0\text{ }^{\circ}\text{C}$ Препоръчва се консумация в рамките на същия ден, за предпочитане не повече от 2 дни). Морски дарове (под $0$ в продължение на 15 дни, не се препоръчва да се съхраняват над $0\text{ }^{\circ}\text{C}$ ).
8	Пресни храни	$0\leq+4$	Прясно свинско месо, говеждо месо, риба, пилешко месо, варена храна и т.н. (Препоръчва се да се консумира в рамките на същия ден, за предпочитане не повече от 3 дни).
9	Вино	$+5\leq+20$	Червено вино, бяло вино, пенливо вино и др.

## 8. ПОДДРЪЖКА И ПОЧИСТВАНЕ



### ВНИМАНИЕ

Изключете уреда от електрическото захранване, преди да извършвате рутинна поддръжка. Изчакайте поне 5 минути, преди да стартирате отново уреда, тъй като честото стартиране може да повреди компресора.

Не използвайте механични устройства или други средства за ускоряване на процеса на размразяване, различни от препоръчаните от производителя.

Не се опитвайте да ремонтирате, разглобявате или модифицирате уреда сами. В случай на необходимост от ремонт се обърнете към нашия сервизен отдел.

Отстранявайте праха от задната част на уреда поне веднъж годишно, за да предотвратите опасност от пожар и повишена консумация на енергия.

Редовно проверявайте уплътнението на вратата, за да се уверите, че то е свободно от замърсявания. Почиствайте уплътнението на вратата с мека кърпа, навлажнена със сапунена вода или разреден почистващ препарат.

Вътрешността на продукта трябва да се почиства редовно, за да се предотвратят миризми.

Използвайте мека кърпа или гъба, за да почистите вътрешността на продукта с две супени лъжици сода за хляб и една четвърт топла вода. Изплакнете с вода и избършете.

След почистването отворете вратата и я оставете да изсъхне по естествен начин, преди да я включите. За местата на продукта, които са трудни за почистване (като тесни пространства, пукнатини или ъгли), се препоръчва редовно да се избърсват с мека кърпа, мека четка и т.н. и, ако е необходимо, в комбинация с някои помощни средства (като тънки пръчици), за да се гарантира, че в тези места няма да се натрупват мръсотия или бактерии.

Избършете външната повърхност на продукта с мека кърпа, навлажнена със сапунена вода, препарат и др. и след това избършете до сухо.

Не използвайте твърди четки, чисти стоманени топчета, телени четки, абразиви (като паста за зъби), органични разтворители (като алкохол, ацетон, изоамил ацетат и др.), вряла вода, киселинни или алкални вещества, които могат да повредят повърхността и вътрешността на хладилника. Врящата вода и органичните разтворители, като бензол, могат да деформират или повредят пластмасовите части.



По време на почистването не изплаквайте уреда директно с вода или други течности, за да избегнете късо съединение или повреда на електрическата изолация.



### ВНИМАНИЕ

Препоръчваме ви да оставите уреда да работи продължително, след като го включите. Като общо правило работата на уреда не трябва да се прекъсва, за да не се наруши експлоатационният му живот.

### Размразяване

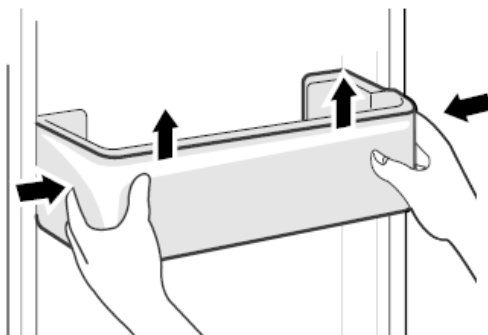
По време на работа по задната стена на хладилното отделение може да се появят капки конденз или ледени кристали. Това е нормално. Не е необходимо да избърсвате кондензацията или леда. Задният панел се размразява автоматично. Кондензацията се оттича в канала за кондензация и се пренася в отделението, където се изпарява.

**Забележка:** Поддържайте канала за кондензация и отвора за отвеждане на водата чисти, за да може кондензацията да се оттича правилно.

### Почистване на тавата на вратата

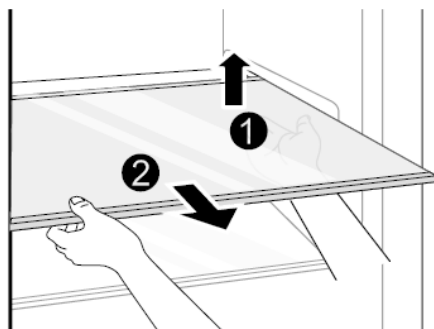
Според стрелката за посоката на фигурата по-долу, използвайте двете си ръце, за да стиснете тавата, и я избутайте нагоре, след което можете да я извадите.

След като измиете извадената тава, можете да регулирате височината ѝ на монтиране в съответствие с вашите изисквания.



### Почистване на стъклен рафт

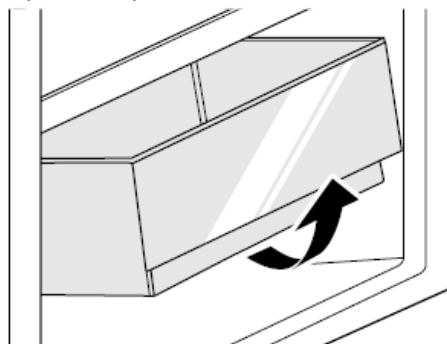
Тъй като най-вътрешната част на облицовката на хладилника, където се допира до рафтовете, има ограничител, трябва да повдигнете рафтовете нагоре, след което ще можете да ги извадите. Регулирайте или почистете рафтовете в зависимост от изискванията си.



### Почистване на чекмеджето за зеленчуци

Извадете съдържанието на чекмеджето. Хванете дръжката на чекмеджето за зеленчуци и го издърпайте напълно, докато спре.

Повдигнете чекмеджето за зеленчуци нагоре и го извадете, като го издърпате навън.



**ВНИМАНИЕ**

Различия: В случай на необходимост, ако е необходимо, може да се изчака и да се изтрие: Поради технически промени и различни модели някои от илюстрациите в това ръководство може да се различават от вашия модел.

## 9. ОТСТРАНЯВАНЕ НА НЕИЗПРАВНОСТИ

Следните прости проблеми могат да бъдат отстранени от потребителя. Моля, обадете се на отдела за следпродажбено обслужване, ако проблемите не са решени.

Проблем	Възможни причини	Решение
Уредът не работи.	Захранването не е включено и щепселът не е поставен здраво. Ниско напрежение, прекъсване на електрозахранването или част от веригата се е задействала.	Поставете здраво щепсела на захранващия кабел. Проверете захранването у дома.
Светлината не свети	Уредът не е включен. Светлината е счупена.	Изключете и включете отново захранващия кабел. Сменете лампата с нова.
Плодовете или зеленчуците са замразени	Поставена ли е храната в задната част на хладилника? Зоната в близост до задната стена е мястото, където температурите са най-ниски. Плодовете или зеленчуците се съхраняват в зоната за свежо/охладено.	Не поставяйте храни, които могат лесно да замръзнат, в задната част на отделението на хладилника. Зоната Fresh/Chill е предназначена само за месо/риба.
Хладилникът/фризерът се преохлажда	Контролът на температурата не е настроен правилно.	Задайте по-висока температура.
Компресорът работи дълго време	Висока температура на околната среда, която причинява дълго време на работа. Поставяне на твърде много храна наведнъж. Храната е поставена, преди да се е охладила. Прекалено често отваряне на вратата. Слоят замръзване вътре е твърде дебел.	Това е нормално. Не поставяйте твърде много храна наведнъж. Изчакайте, докато храната се охлади, преди да я поставите. Не отваряйте вратата твърде често. Необходимо е размразяване.
Вратата не се затваря правилно	Вратата е заклещена с предмети. Поставена е твърде много храна. Уплътнението на вратата е деформирано.	Не поставяйте твърде много храна. Поставете уреда стабилно. Загрейте уплътнението на вратата, след което го охладете за възстановяване (с електрическа сушилна или гореща вода за отопление).
Външната стена е гореща	Когато уредът работи, топлината се разсейва навън чрез металните тръби вътре в шкафа. По-високите температури на околната среда през лятото водят до	По-високата температура на външната стена е нормална. Увеличете пространството за разсейване на топлината или поставете уреда на проветриво и хладно място.

	повишаване на температурата на външната стена.	
Миризми	Развалена храна Храна със силни миризми Вътрешното отделение е замърсено.	Почистете и отстранете всяка развалена храна. Уверете се, че храната със силна миризма е опакована херметически. Почистете вътрешното отделение.
Действителната температура се различава от зададената	Когато се постави топла храна, температурата временно ще се повиши. След като зададете нова температура, ще отнеме известно време, докато температурата в отделението да достигне зададената температура, когато вратата не е отворена. След стабилизирането на температурата действителните температури на различни места в отделението се различават, като отклонението е около $\pm 3$ °C.	Това е нормално. Изчакайте известно време, преди да проверите действителната температура
Отвън се образува конденз	Когато влажността в помещението е висока, може да се образува конденз.	Това е нормално. Избършете кондензацията със суха кърпа.
Конденз във вътрешността на хладилника и чекмеджетата	Хладилникът поддържа висока влажност, за да запази зеленчуците и другите хранителни продукти свежи. Влажността в помещението е твърде висока и вратите са били отворени често. Уплътненията на вратите не са плътни.	Избършете конденза със суха кърпа. Не отваряйте вратите толкова често или не ги дръжте отворени твърде дълго. Проверете уплътнението на вратата, почистете го или коригирайте позицията му.
Трудно отваряне на вратата	Разликата в налягането на въздуха между вътрешната и външната страна на отделението понякога може да затрудни отварянето на вратата на фризера.	Изчакайте няколко минути и след това опитайте да отворите вратата бавно.

По време на нормална употреба на устройството може да се чуят някои шумове, които не влияят на правилната му работа.

Шумове, които лесно могат да бъдат предотвратени:

- Шум, причинен от това, че уредът не е хоризонтален - изравнете уреда с помощта на регулируемите предни крачета. Алтернативно, поставете протектори от мек материал под задните колелца, особено когато уредът е поставен върху плочки.
- Уредът се допира до съседни мебели - преместете уреда.

- Чекмеджетата или рафтовете скърцат - извадете и сменете чекмеджето или рафта.
- Звук от блъскане на бутилки - преместете бутилките една от друга.

Звуците, които може да чуете по време на нормална употреба, се дължат главно на работата (включването) на компресора и охладителната система (термично разширение и свиване на радиатора, причинено от потока на охлаждащата течност).

### ГРИЖА ЗА КЛИЕНТА И ОБСЛУЖВАНЕ

Винаги използвайте оригинални резервни части.

Когато се обръщате към нашия оторизиран сервизен център, уверете се, че разполагате със следните данни: Модел и сериен номер.

Информацията може да бъде намерена на табелката с данни за мощност. Може да бъде променена без предизвестие.

### ТЕХНИЧЕСКИ ДАННИ

Техническата информация е разположена в табелката с номиналните параметри от вътрешната страна на уреда и върху енергийния етикет.

QR кодът върху енергийния етикет, предоставен с уреда, предоставя уеб връзка към информацията, свързана с експлоатационните характеристики на уреда, в базата данни на ЕС EPREL.

Съхранявайте енергийния етикет за справка заедно с ръководството за потребителя и всички други документи, предоставени с този уред.

Възможно е също така да намерите същата информация в EPREL, като използвате връзката <https://eprel.ec.europa.eu> и името на модела и номера на продукта, които ще намерите на табелката с номиналните параметри на уреда.

За да получите достъп до информацията за вашия продукт в портала EPREL, можете да сканирате кодовете по-долу:



Благодарим ви, че закупихте този продукт. Ако се нуждаете от поддръжка за вашия продукт, посетете нашия уебсайт, като използвате връзките по-долу.

Получаване на ръководства за потребителя: <https://www.heinner.ro>

Получете информация за сервиз: <https://www.heinner.ro>



#### Екологично изхвърляне

Вие можете да помогнете за опазването на околната среда!

Моля, не забравяйте да спазвате местните разпоредби: предайте неработещото електрическо оборудване в подходящ център за изхвърляне на отпадъци.



**HEINNER** е регистрирана търговска марка на **Network One Distribution SRL**. Други марки и имена на продукти са търговски марки или регистрирани търговски марки на съответните им притежатели.

Никаква част от спецификациите не може да бъде възпроизвеждана под каквато и да е форма или по какъвто и да е начин, нито да бъде използвана за създаване на производни, като например превод, трансформация или адаптация, без разрешение от NETWORK ONE DISTRIBUTION.

Copyright © 2013 Network One Distribution. Всички права запазени.  
[www.heinner.com](http://www.heinner.com), <http://www.nod.ro>



Този продукт е в съответствие с нормите и стандартите на Европейската общност



Производител и вносител: **Network One Distribution**  
Marcel Iancu Street, 3-5, Букурещ, Румъния  
Телефон: +40 21 211 18 56, [www.heinner.com](http://www.heinner.com) , [www.nod.ro](http://www.nod.ro)

# HŰTŐSZEKRÉNY

Modell:

**HF-M113E++**



- Teljes kapacitás: 113 L
- Energetikai osztály: E

**HEINNER**

## 1. BEVEZETÉS

Kérjük, olvassa el figyelmesen az utasításokat, és őrizze meg a kézikönyvet a későbbi tájékoztatáshoz. Ez a kézikönyv a készülék telepítésére, használatára és karbantartására vonatkozó összes szükséges utasítást tartalmazza. A készülék helyes és biztonságos működtetése érdekében kérjük, hogy a telepítés és használat előtt figyelmesen olvassa el ezt a használati útmutatót.

## 2. A CSOMAG TARTALMA

- ➔ **Hűtőszekrény**
- ➔ **Felhasználói kézikönyv**
- ➔ **Jótállási igazolás**





## 3. BIZTONSÁGI FIGYELMEZTETÉSEK

A készülék első bekapcsolása előtt olvassa el az alábbi biztonsági utasításokat!

Ezt a készüléket háztartási és hasonló alkalmazásokban, például üzletek, irodák és más munkakörnyezetek személyzeti konyháiban; tanyákon, valamint szállodák, motelek és más lakótelepi típusú környezetek vendégei által; panziókban és reggelizőhelyeken; vendéglátóipari és hasonló, nem kiskereskedelmi célú alkalmazásokban való használatra szánták.

Ezt a készüléket nem szabad olyan személyek (beleértve a gyermekeket is) számára használni, akiknek csökkent fizikai, érzékszervi vagy szellemi képességei vannak, vagy nem rendelkeznek kellő tapasztalattal és ismeretekkel, kivéve, ha a biztonságukért felelős személy felügyeli vagy oktatja őket a készülék használatára vonatkozóan.

### A kifejezések/szimbólumok magyarázata

	<b>VESZÉLY</b> Ez a szimbólum azt jelzi, hogy a rendkívül gyúlékony gáz veszélyt jelent a személyek életére és egészségére.
	<b>FIGYELMEZTETÉS</b> A jelzőszó olyan közepes veszélyt jelez, amelynek elkerülése nélkül halál vagy súlyos sérülés következhet be.
	<b>VIGYÁZAT</b> A jelzőszó alacsony szintű veszélyt jelez, amely, ha nem kerüljük el, kisebb vagy közepes sérülést okozhat.
	<b>FIGYELEM</b> A jelzőszó fontos információt (pl. vagyoni kárt), de nem veszélyt jelez.

**Fontos:** Fordítson különös figyelmet azokra az üzenetekre, amelyek a **VESZÉLY**, **FIGYELMEZTETÉS** vagy **FIGYELEM** szavakat tartalmazzák. Ezek a szavak olyan potenciális veszélyre figyelmeztetnek, amely Önt és másokat súlyosan megsebesíthet.

Az utasítások megmondják, hogyan csökkentheti a sérülés esélyét, és tájékoztatják arról, hogy mi történhet, ha nem követi az utasításokat.

**Figyelem!** Ezek az üzemeltetési utasítások általános jellegűek. Ez azt jelenti, hogy bizonyos funkciók az Ön hűtőszekrényére/fagyasztójára vonatkoznak, míg mások nem.

Folyamatosan dolgozunk készüléktípusaink és modelljeink továbbfejlesztésén és javításán. Ezért fenntartjuk a jogot, hogy minden típus és modell kialakításában, felszereltségében és tartozékaiban előzetes értesítés nélkül változtatásokat eszközöljünk.

## Általános biztonság



### Tűzveszély/gyúlékony anyagok veszélye

A készülékben használt hűtőközeg és ciklopentánhab gyúlékony. Ezért a készülék selejtezésekor a készüléket minden tűzforrástól távol kell tartani, és megfelelő képesítéssel rendelkező, erre szakosodott visszagyűjtő céggel kell visszagyűjteni, és nem szabad égetéssel ártalmatlanítani, a környezetkárosodás vagy egyéb károk megelőzése érdekében.



### FIGYELMEZTETÉS

- A gyermekeket felügyelni kell, hogy ne játszanak a készülékkel.
- Ha a tápkábel megsérül, azt a gyártónak, annak szervizének vagy hasonlóan képzett személynek kell kicserélnie a veszély elkerülése érdekében.
- Ne tároljon robbanásveszélyes anyagokat, például gyúlékony hajtóanyagot tartalmazó aeroszolos dobozokat ebben a készülékben.
- A készüléket használat után és a készüléken végzett felhasználói karbantartás előtt ki kell húzni a hálózatból.
- A készülékházban vagy a beépített szerkezetben lévő szellőzőnyílásokat tartsa szabadon.
- Ne használjon a leolvasztási folyamat felgyorsítására a gyártó által ajánlottaktól eltérő mechanikus eszközöket vagy más eszközöket.
- Ne károsítsa a hűtőközeg-körforgást.
- Ne használjon elektromos készülékeket a készülék élelmiszertároló rekeszeiben, kivéve, ha azok a gyártó által ajánlott típusúak.
- Kérjük, hagyja el a hűtőszekrényt a helyi szabályozóknak megfelelően, mert gyúlékony fűvógázt és hűtőközeget használ.
- A készülék elhelyezésekor ügyeljen arra, hogy a tápkábel ne akadjon be vagy sérüljön meg.
- Ne helyezzen el több hordozható konnektort vagy hordozható tápegységet a készülék hátsó részén.
- Ne használjon hosszabbítót vagy földeletlen (kétágú) adaptereket.
- A készülék instabilitásából eredő veszély elkerülése érdekében a készüléket az utasításoknak megfelelően kell rögzíteni.
- A hűtőszekrényt le kell választani az áramforrásról, mielőtt a tartozék felszerelését megkísérelné. Ügyeljen arra, hogy a tápkábelt ne szorítsa be a hűtőszekrény. Ne lépjen rá a tápkábelre.
- Szabadon álló készülék esetén: Ez a hűtőszekrény nem beépíthető készülékként való használatra készült.

## Napi használat



### FIGYELMEZTETÉS

- Ne húzza meg a tápkábelt, amikor kihúzza a hűtőszekrény hálózati csatlakozóját. Kérjük, fogja meg határozottan a dugót, és közvetlenül húzza ki a konnektorból.

- A biztonságos használat érdekében ne sértse meg a tápkábelt, és ne használja a tápkábelt, ha az sérült vagy kopott.
- Kérjük, használjon külön konnektort, és a konnektort ne ossza meg más elektromos készülékekkel.
- A hálózati csatlakozónak szilárdan érintkeznie kell a konnektorral, különben tüzet okozhat.
- Kérjük, gondoskodjon arról, hogy a hálózati aljzat földelő elektródája megbízható földelő vezetékkel legyen ellátva.
- A hűtőszeleprény csak 220~240V/50Hz egyfázisú váltakozó áramú áramforrással használható.
- Kérjük, zárja el a szivárgó gáz szelepét, majd nyissa ki az ajtókat és ablakokat gáz és más gyúlékony gázok szivárgása esetén.
- Ne húzza ki a hűtőszeleprényt és más elektromos készülékeket, tekintettel arra, hogy a szikra tüzet okozhat.
- Ne használjon elektromos készülékeket a készülék tetején, kivéve, ha azok a gyártó által ajánlott típusúak.
- A hűtőszeleprény ajtóit, valamint az ajtók és a hűtőszeleprény teste közötti rések kicsik, ügyeljen arra, hogy ne tegye a kezét ezekre a területekre, nehogy megszorítsa az ujját. Kérjük, legyen óvatos, amikor becsukja a hűtőszeleprény ajtaját, hogy elkerülje a leeső tárgyakat.
- A fagyasztókamrában, amikor a hűtőszeleprény üzemel, ne szedje fel nedves kézzel az élelmiszereket vagy edényeket, különösen a fémtartályokat, hogy elkerülje a fagyási sérüléseket.
- Ne engedje, hogy a hűtőszeleprénybe gyermek jusson be vagy másszon fel; ellenkező esetben fulladás vagy a gyermek leesési sérülése következhet be.
- Ne helyezzen nehéz tárgyakat a hűtőszeleprény tetejére, tekintettel arra, hogy az ajtó bezárásakor vagy kinyitásakor a célkitűzések leeshetnek, és baleseti sérüléseket okozhatnak.
- Ne tegyen gyúlékony, robbanékony, illékony és erősen maró tárgyakat a hűtőszeleprénybe, hogy megelőzze a termék károsodását vagy a tűzbaleseteket.
- A tüzesetek elkerülése érdekében ne helyezzen gyúlékony tárgyakat a hűtőszeleprény közelébe.
- A hűtőszeleprény háztartási használatra, például élelmiszerek tárolására szolgál; nem használható más célra, például vér, gyógyszerek vagy biológiai termékek stb. tárolására.
- Ne tároljon sört, italt vagy más, palackokban vagy zárt tartályokban lévő folyadékot a hűtőszeleprény fagyasztókamrájában; ellenkező esetben a palackok vagy zárt tartályok a fagyás következtében megpedhetnek, és kárt okozhatnak.



#### FIGYELMEZTETÉS

**Az EU szabványhoz:** Ezt a készüléket 8 éves és idősebb gyermekek, valamint csökkent fizikai, érzékszervi vagy szellemi képességekkel rendelkező, illetve tapasztalat és ismeretek hiányában nem rendelkező személyek is használhatják, ha felügyeletet vagy utasítást kaptak a készülék biztonságos használatára vonatkozóan, és megértették az ezzel járó veszélyeket. A gyermekek nem játszhatnak a készülékkel. A tisztítást és a felhasználói karbantartást gyermekek felügyelet nélkül nem végezhetik.

Az élelmiszerek szennyeződésének elkerülése érdekében kérjük, tartsa be az alábbi utasításokat:

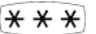
- Az ajtó hosszabb időre történő kinyitása a készülék rekeszeinek hőmérsékletének jelentős emelkedését okozhatja.
- Rendszeresen tisztítsa meg az élelmiszerekkel érintkezésbe kerülő felületeket és a hozzáférhető lefolyórendszereket.
- A nyers húst és halat megfelelő tárolóedényekben tárolja a hűtőszeleprényben úgy, hogy az ne érintkezzen más élelmiszerekkel, illetve ne csöpögjön rájuk.
- A kétszillagos fagyasztott élelmiszerekrekeszek alkalmasak előfagyasztott élelmiszerek tárolására, jégkrém tárolására vagy készítésére, valamint jégkocka készítésére (1. megjegyzés) (\*).
- Az 1 csillagos, 2 csillagos és 3 csillagos rekeszek nem alkalmasak friss élelmiszerek fagyasztására (2. megjegyzés) (\*).
- A 4 csillagos rekeszsel nem rendelkező készülékek esetében: ez a hűtőkészülék nem alkalmas élelmiszerek fagyasztására (3. megjegyzés) (\*).

- Ha a hűtőkészülék hosszabb ideig üresen marad, kapcsolja ki, olvassza le, tisztítsa meg, szárítsa meg, és hagyja nyitva az ajtót, hogy megakadályozza a készülékben a penész kialakulását.


1., 2., 3. megjegyzés: Kérjük, ellenőrizze, hogy a termékrekesz típusa szerint alkalmazható-e.

(\*): Ez a funkció a vásárolt modelltől függően változik.

 "4 csillag" szimbólum: 18 °C-on vagy hidegebb hőmérsékleten fagyasztva, és képes bizonyos mennyiségű élelmiszer gyorsfagyasztására.

 "3 csillag" szimbólum: "3 csillag" szimbólum: A fagyasztórekesz - 18 °C-os vagy hidegebb hőmérsékleten van.

 "2 csillag" szimbólum: A fagyasztórekesz - 12 °C-on vagy annál hidegebb.

 "1 csillag" szimbólum: Fagyasztórekesz -6 °C-os célhőmérséklettel és tárolási körülményekkel.



#### VIGYÁZAT

Ez a termék nem ajánlott AFCI/ GFCI funkcióval rendelkező aljzatokkal vagy főkapcsolóval való használatra, ellenkező esetben téves kioldást okozhat.

1. Nem jelenthet biztonsági kockázatot a kioldáskor.
2. Ha a kioldás továbbra is fennáll, ajánlott az aljzatokat vagy a főkapcsolót AFCI/GFCI funkcióval nem rendelkező modellekre cserélni.



#### FIGYELMEZTETÉS

Gyermekek beékelődésének veszélye. Mielőtt kidobja régi hűtőszekrényét vagy fagyasztóját:

- Vegye le az ajtókat.
- A polcokat hagyja a helyén, hogy a gyermekek ne tudjanak könnyen bemászni a belsejébe.

## Környezetvédelem

### A régi elektromos készülékek környezetbarát módon történő ártalmatlanítása

Ez az áthúzott, kerek kuka szimbólum azt jelzi, hogy az elektromos és elektronikus berendezések hulladékát (WEEE) a kommunális hulladéktól elkülönítve kell ártalmatlanítani.

A régi elektromos termékek veszélyes anyagokat tartalmazhatnak, ezért a régi készülék helyes ártalmatlanítása segít megelőzni a környezetre és az emberi egészségre gyakorolt esetleges negatív következményeket. Az Ön régi készüléke tartalmazhat újrafelhasználható alkatrészeket, amelyek más termékek javításához felhasználhatók, valamint más értékes anyagokat, amelyek újrahasznosíthatók a korlátozott erőforrások megőrzése érdekében.

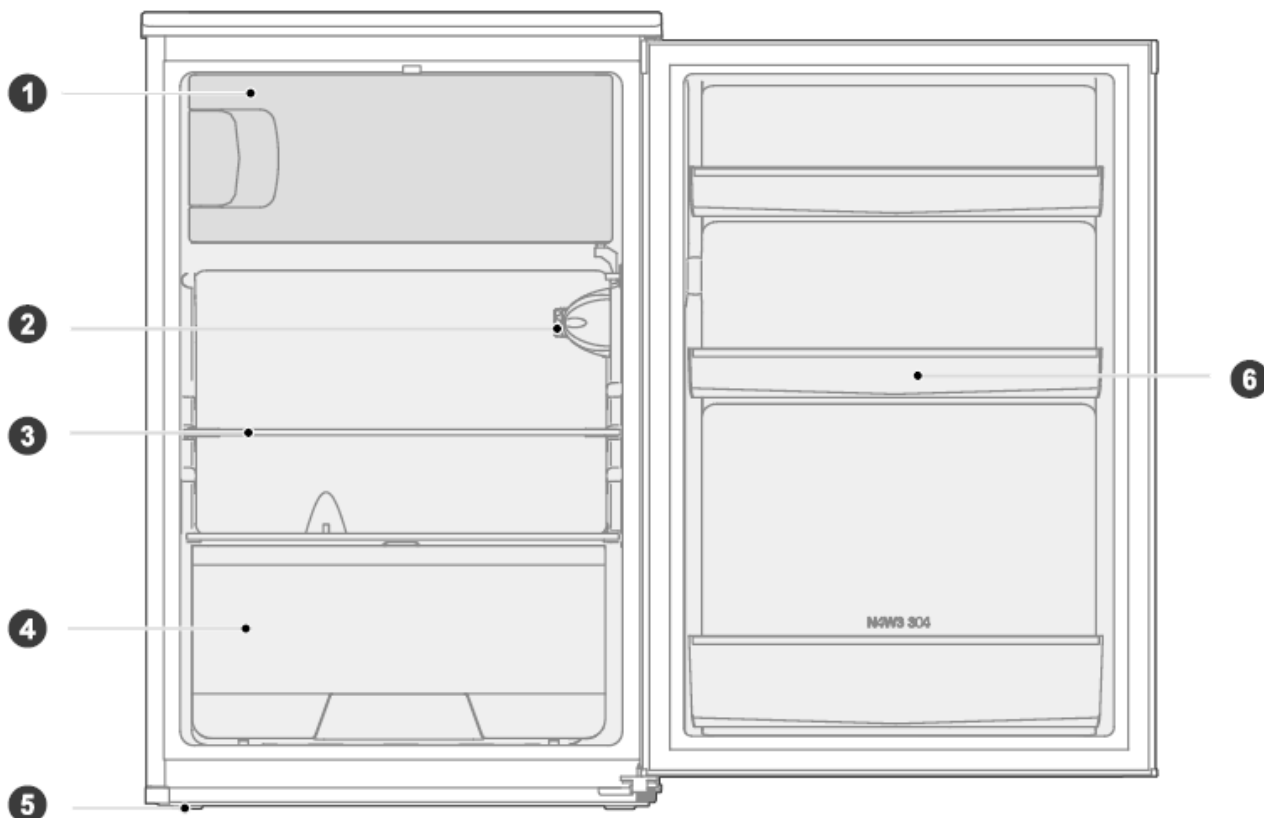


### Csomagolási információk

A termék csomagolóanyagai újrahasznosítható anyagokból készülnek a Nemzeti Környezetvédelmi Szabályzatunknak megfelelően. Ne dobja ki a csomagolóanyagokat a háztartási vagy egyéb hulladékkal együtt. Vigye el azokat a helyi hatóságok által kijelölt csomagolóanyag-gyűjtőhelyekre.



## 4. TERMÉKLEÍRÁS



1. Kis ajtó	4. Gyümölcs- és zöldségdoboz
2. Hőmérsékletszabályozó gomb	5. Szintező lábak
3. Üvegpolc	6. Palackos polc

Az energia leghatékonyabb felhasználása érdekében kérjük, hogy minden belső elemet, például a tálcákat, fiókokat, polcokat és a jégkockatartót a gyártó által megadott pozícióban tartsa.

Ezt a hűtőszekrény készüléket önállóan kell telepíteni, és nem használható beépített készülékként. Ellenkező esetben a készülék teljesítménye és élettartama csökken, és a gyártó nem vállal garanciát.



### FIGYELEM

**Különbségek:** A műszaki változások miatt előfordulhat, hogy a jelen kézikönyvben szereplő egyes illusztrációk nem pontosan tükrözik a tényleges termék megjelenését.

## 5. TELEPÍTÉSI UTASÍTÁSOK

### Az első használat előtt

Távolítsa el a külső és belső csomagolást, törölje át alaposan a külsejét egy puha, száraz ruhával, a belsejét pedig egy nedves, langyos ruhával.

Kerülje, hogy a szekrényt szűk mélyedésbe vagy hőforrás, közvetlen napfény vagy nedvesség közelébe helyezze.

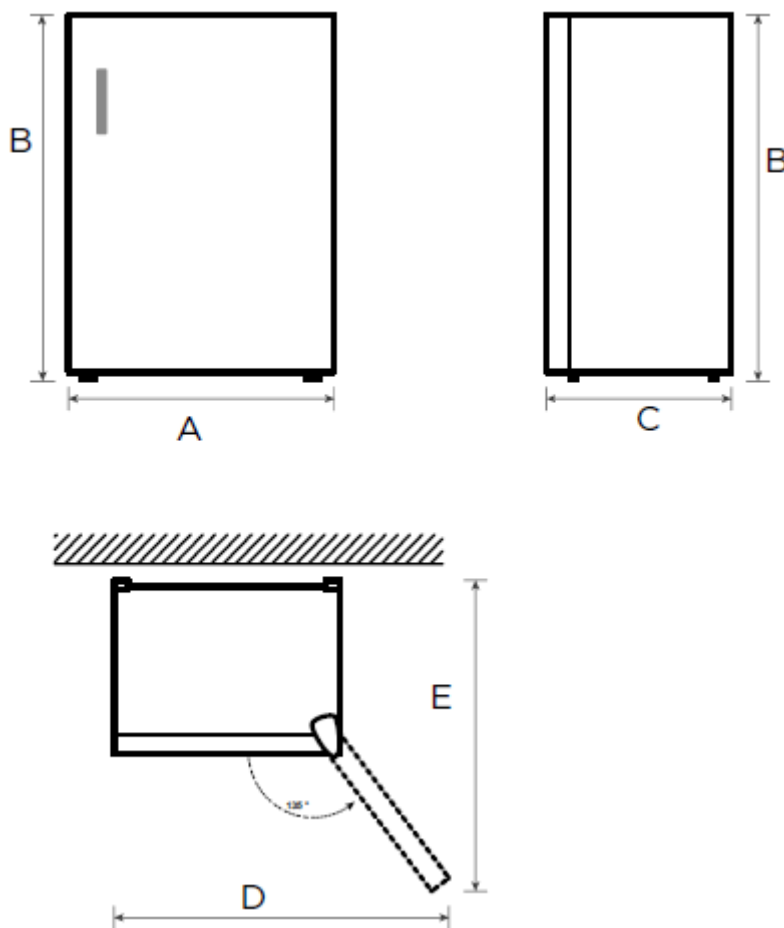
Tartsa szabadon a szekrény körüli légáramlást. A készülék telepítésekor mindkét oldalon 10 cm szabad helyet biztosítson, a készülék tetején 10 cm-t, a készülék hátulján pedig legfeljebb 10 cm-t.

Mielőtt a hűtőszekrényt a hálózatra csatlakoztatja, ellenőrizze, hogy a készülék címkéjén feltüntetett feszültség megfelel-e az Ön otthonában uralkodó feszültségnek. Az ettől eltérő feszültség károsíthatja a készüléket.

Miután csatlakoztatta a készüléket a tápegységhez, várjon 2-3 órát, mielőtt ételt tesz a készülékbe. Ha az ételt azelőtt teszi bele, mielőtt a készülék lehűlné, fennáll a veszélye, hogy az étel megromlik.

A készüléket földelni kell. A gyártó nem vállal felelősséget a földelés nélküli használatból eredő károkért.

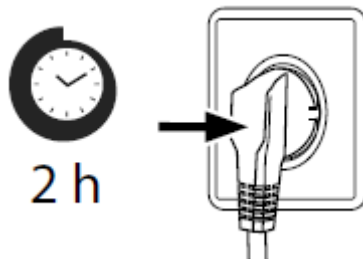
### Helyigény



A	B	C	D	E
553 mm	845 mm	574 mm	935 mm	940 mm

## A készülék csatlakoztatása

A termék üzembe helyezése után, kérjük, hagyja állni a készüléket 2 óránál hosszabb ideig, mielőtt bekapcsolja a készüléket, különben a hűtési teljesítmény csökkenéséhez vagy a termék károsodásához vezet.



Hagyja a készüléket 24 órán keresztül üresen futni, hogy a rekesz megfelelő hőmérsékletre hűlhessen.



### FIGYELMEZTETÉS

A hűtőszekrényt mindig a saját, különálló konnektorába kell csatlakoztatni, amely a névtáblának megfelelő feszültséggel rendelkezik.

A készülék elhelyezésekor ügyeljen arra, hogy a tápkábel ne legyen beszorulva vagy megsérülve.

## Környezeti hőmérséklet

Az éghajlati osztálytól függően ezt a hűtőszekrényt a következő táblázatban megadott környezeti hőmérséklet-tartományban kell használni.

Előfordulhat, hogy a termék nem működik megfelelően az adott tartományon kívüli hőmérsékleten.

Az éghajlati osztályt a termék címkéjén találja.

Klímaosztály	Környezeti hőmérséklet
SN	+10 °C és +32 °C között
N	+16 °C és +32 °C között
ST	+16 °C-tól +38 °C-ig
T	+16 °C-tól +43 °C-ig

Ha bármilyen kétsége van a beszereléssel kapcsolatban, forduljon az eladóhoz, ügyfélszolgálatunkhoz vagy a legközelebbi hivatalos szervizközpontoz.

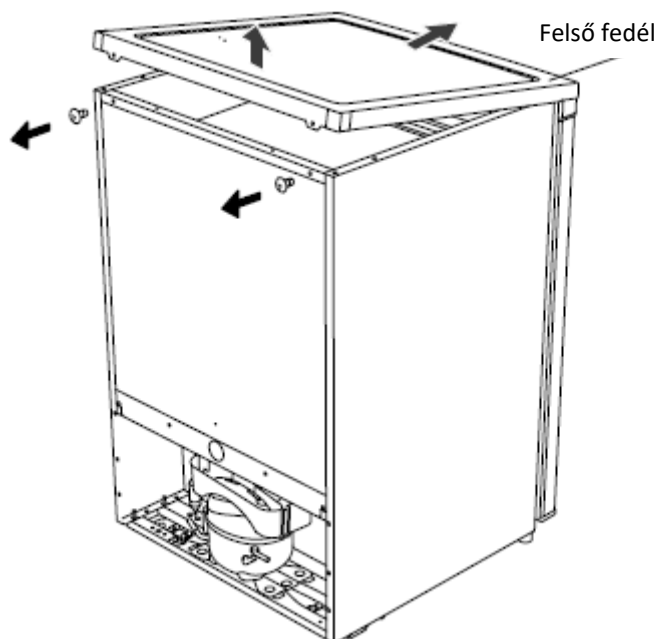


### FIGYELEM

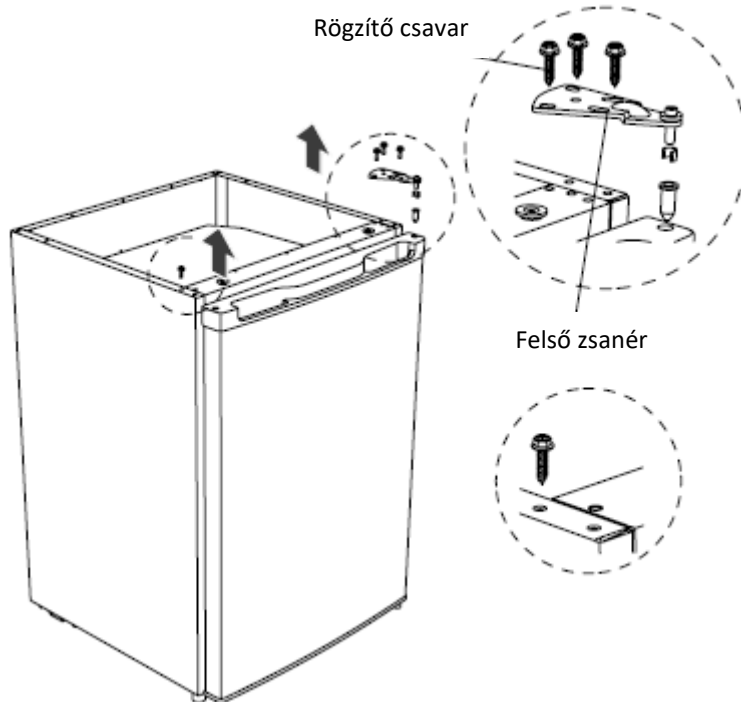
A hűtőszekrény hűtési teljesítményét és energiafogyasztását befolyásolhatja a környezeti hőmérséklet, az ajtónyitás gyakorisága és a hűtőszekrény elhelyezése. Javasoljuk, hogy a hőmérséklet-beállításokat a megfelelő módon állítsa be.

## Az ajtó megfordítása

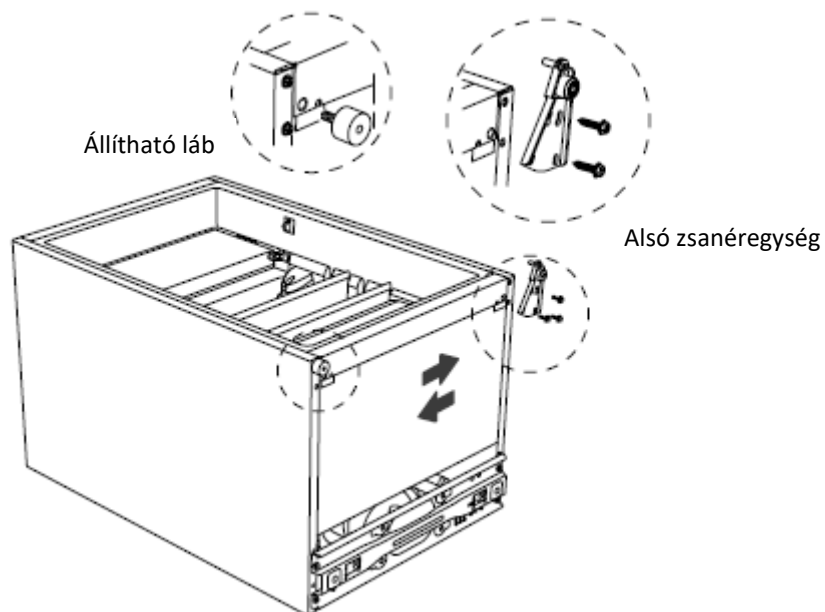
1. Kapcsolja ki a készüléket, és távolítsa el minden tárgyat az ajtópolcokról.



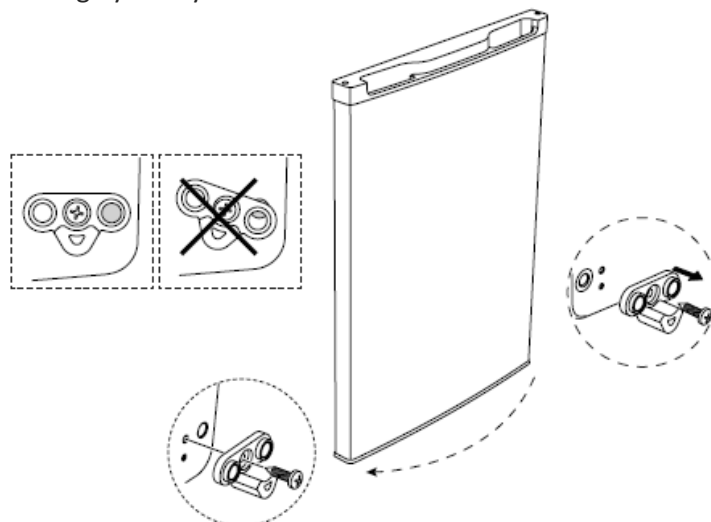
2. Szerelje le a felső fedelet és a felső zsanért rögzítő csavarokat, majd távolítsa el a felső zsanért. Az ajtót a folyamat során végig tartsa függőleges helyzetben, hogy megakadályozza a leesését.



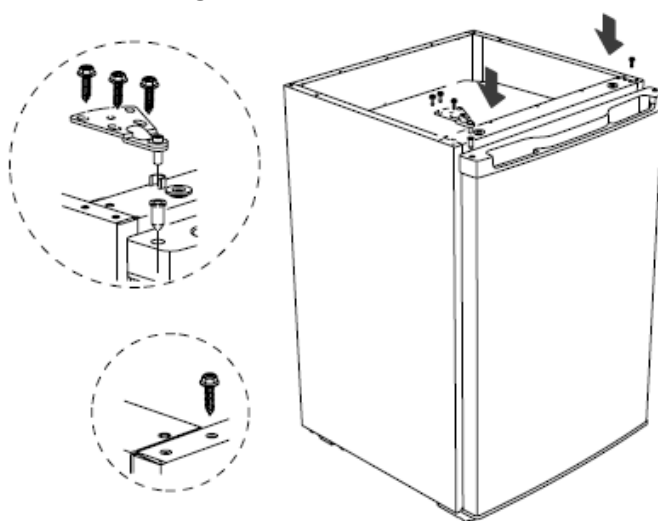
3. Vegye le az ajtót, az alsó zsanéregységet és az állítható lábat, majd szerelje fel az alsó zsanéregységet és az állítható lábat a készülék másik oldalára.



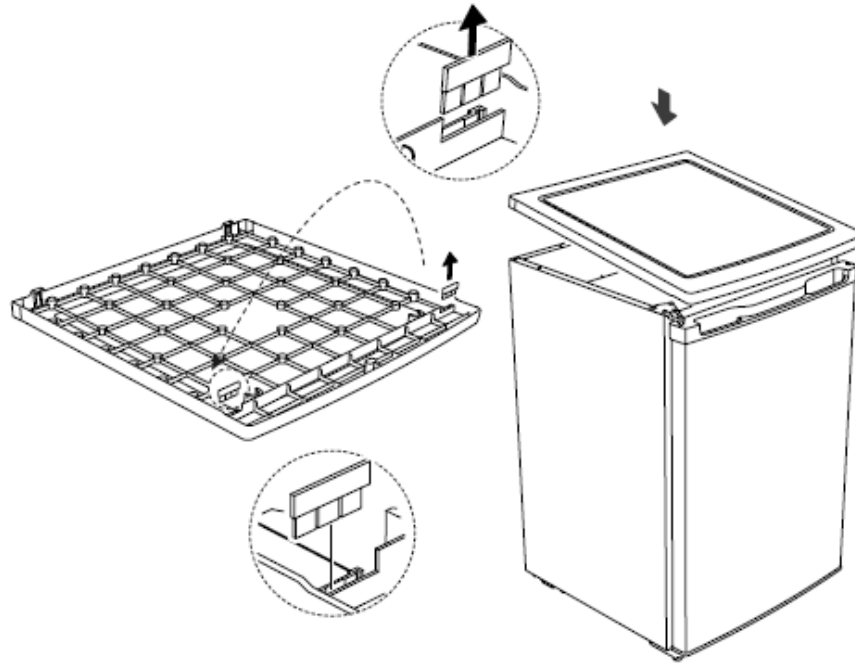
4. Szerelje fel a dugót és a tengelyhüvelyt az ellenkező oldalra.



5. Helyezze az ajtót az alsó zsanérra, és rögzítse a felső zsanért a csavarokkal.



6. Mozgassa át a felső burkolaton lévő díszítőszárnyat a bal oldalról a jobb oldalra. Rögzítse a hűtőszekrény felső fedelét.



#### FIGYELEM

Különbségek: A műszaki változások és a különböző modellek miatt a jelen kézikönyvben található illusztrációk némelyike eltérhet az Ön modelljétől.



### Kiegyenlítő lábak

A vibráció elkerülése érdekében a készüléket ki kell szintezni.

Szükség esetén állítsa be a kiegyenlítő lábakat az egyenetlen padló kiegyenlítésére.

Az elülső lábaknak kissé magasabbnak kell lenniük, mint a hátsóknak, hogy segítsék az ajtó becsukódását.

A kiegyenlítő lábak könnyen elforgathatók a szekrény enyhe megdöntésével.

A szintező lábakat az óramutató járásával ellentétes irányba  a készülék megemeléséhez, az óramutató járásával megegyező irányba  a készülék leengedéséhez fordítsa el.

### A világítás cseréje

A LED-lámpák bármilyen cseréjét vagy karbantartását a gyártó, annak szervizügynöke vagy hasonló képesítéssel rendelkező személy végezze el.

### A készülék mozgatása

1. Távolítson el minden tárgyat a készülékről.
2. Húzza ki a hálózati csatlakozót, dugja be és rögzítse a készülék hátulján vagy tetején lévő hálózati csatlakozó kampóba.
3. Ragassza le az olyan részeket, mint a polcok és az ajtó, hogy megakadályozza a készülék mozgatása közbeni leesést.
4. A készüléket kettőnél több emberrel együtt óvatosan mozgassa. Ha a készüléket hosszabb távolságra szállítja, tartsa a készüléket függőlegesen.

## Tippek az energiatakarékossághoz

Ne helyezze a készüléket tűzhelyek, radiátorok vagy más hőforrások közelébe. Ha a környezeti hőmérséklet magas, a kompresszor gyakrabban és hosszabb ideig fog működni, ami megnövekedett energiafogyasztást eredményez.

Gondoskodjon megfelelő szellőzésről a készülék alján, a készülék oldalain és a készülék hátulján.

Vegye figyelembe a "Beépítés" fejezetben megadott távolsági méreteket is.

A fiókok, polcok és tálcak termékismertetőben bemutatott elrendezése a leghatékonyabb energiafelhasználást kínálja, és ezt a lehető legnagyobb mértékben meg kell tartani.

Nagyobb tárolóterület elérése érdekében (pl. nagyméretű hűtött/fagyasztott áruk számára) a középső fiókok és polcok eltávolíthatók. A felső és alsó fiókokat és polcokat szükség esetén utoljára kell eltávolítani.

Az egyenletesen töltött hűtő/fagyasztó rekesz hozzájárul az optimális energiafelhasználáshoz.

Hagyja a meleg ételeket kihűlni, mielőtt a hűtőszekrény/fagyasztó rekeszbe helyezné őket. A már lehűlt élelmiszerek növelik az energiahatékonyságot.

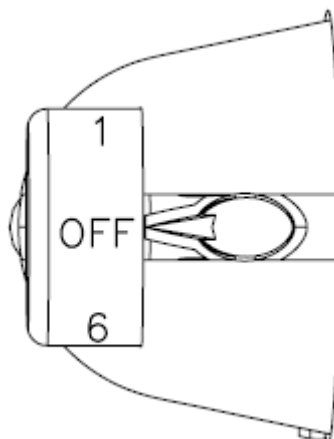
Hagyja, hogy a fagyasztott ételek kiolvadjanak a hűtőrekeszben. A fagyasztott élelmiszer kihűlése csökkenti a hűtőtér energiafogyasztását, és így növeli az energiahatékonyságot.

Csak a szükséges ideig nyissa ki az ajtót a hidegvesztés minimalizálása érdekében. Az ajtó rövid időre történő kinyitása és megfelelő becsukása csökkenti az energiafogyasztást.

A hőmérsékletnek a szükségesnél nem hidegebbre állítása hozzájárul az optimális energiafelhasználáshoz.

A készülék ajtótmítésének tökéletesen épnek kell lennie, hogy az ajtók megfelelően záródjanak, és az energiafogyasztás ne növekedjen feleslegesen.

## 6. VEZÉRLŐPULT



A számok nem egy pontos hőmérsékletet, hanem egy hőmérsékleti szintet jelölnek.

- Az "1" a legmagasabb hőmérséklet beállítása.
- A "6" a legalacsonyabb hőmérséklet beállítása.
- Minél magasabb a szám, annál alacsonyabb a hűtőszekrény belső hőmérséklete. A "OFF" azt jelenti, hogy a működés leállt.
- Ajánlott beállítás: "3".



### FIGYELEM

A megvásárolt modelltől függően a kezelőpanel kissé eltérő lehet.

## 7. ÉLELMISZER TÁROLÁSA

### Fagyasztórekesz

A fagyasztórekesz az élelmiszerek alacsony hőmérsékleten történő fagyasztására, a fagyasztott élelmiszerek hosszú távú tárolására és jégkockák készítésére szolgál.

Figyeljen a fagyasztórekeszben található csillagosztályokra (4 csillagos, 2 csillagos és 1 csillagos) és a fagyasztott élelmiszerek ebből adódó tárolási idejére.

Ne helyezzen egymás mellé friss és fagyasztott élelmiszereket. A fagyasztott élelmiszerek felolvadhatnak.

Nagy mennyiségű friss élelmiszer (például hús, hal vagy darált hús) fagyasztásakor a fagyasztóba helyezés előtt ossza azt több kis darabra, hogy gyorsan megfagyjon és könnyen kivehető legyen.

Tartsa be az élelmiszer gyártója által a csomagoláson ajánlott tárolási időt; ha nincs információ a csomagoláson, az élelmiszereket a vásárlástól számított három hónapnál tovább nem szabad fagyasztva tárolni.

Ha fagyasztott élelmiszert vásárol, győződjön meg arról, hogy azt a megfelelő hőmérsékleten fagyasztották le, és hogy a csomagolás nem sérült.

A fagyasztott élelmiszereket megfelelő egyedi csomagolásban kell tárolni, hogy a szomszédos élelmiszerek ne szennyeződjenek. A felolvasztott és kiolvasztott élelmiszereket azonnal fogyassza el, ne fagyassza vissza.

Hosszan tartó áramkimaradás vagy a készülék meghibásodása esetén vegye ki a tárolt fagyasztott élelmiszert, és ellenőrizze, hogy még fogyasztható-e, majd tárolja megfelelően hűvös helyen vagy egy másik készülékben. Az élelmiszer felolvasztásához vegye ki a fagyasztóból, és hagyja felolvadni szobahőmérsékleten vagy a hűtőszekrényben. Az élelmiszerek gyors kiolvasztásához használhatja például a mikrohullámú sütő kiolvasztási funkcióját.

Ha egy csomagnak csak egy részét szeretné kiolvasztani, vegye ki a szükséges részt, a csomag többi részét pedig azonnal zárja le. Ezzel megelőzheti a fagyasztóban való leégést, és csökkentheti a jégképződést az élelmiszer többi részén.

### Hűtőrekesz

A nedvesség és a későbbi jégképződés csökkentése érdekében soha ne tegyen folyadékokat a hűtőszekrénybe lezáratlan edényekben.

A fagy hajlamos a párologtató leghidegebb részein koncentrálni. A folyadékok fedetlen tárolása gyakoribb leolvasztást eredményez.

Soha ne tegyen forró ételt a hűtőszekrénybe. Hagyja őket szobahőmérsékletűre lehűlni, mielőtt a hűtőszekrénybe helyezi őket, hogy a megfelelő légkeringést biztosítsa.

Az élelmiszerek vagy az élelmiszer-tartályok ne érjenek a hűtőszekrény hátuljához, mert odafagyhatnak a falhoz. Ne nyissa ki rendszeresen a hűtőszekrény ajtaját.

A húsok és a tiszta halak (csomagolva vagy műanyagba csomagolva) 1-2 napra a hűtőszekrénybe helyezhetők.

A csomagolatlan gyümölcsök és zöldségek a friss gyümölcsök és zöldségek részlegébe helyezhetők.



#### FIGYELEM

A túl sok élelmiszer tárolása működés közben, az első áramra kapcsolást követően kedvezőtlenül befolyásolhatja a hűtőszekrény fagyasztó hatását.

## Tárolási idők és rekesz

Megjegyzés: A túl hosszú tárolás vagy a nem megfelelő fagyasztási hőmérsékleten történő tárolás minőségromláshoz vagy romlott élelmiszerekhez vezethet, ami ételmiszerpazarlást okoz, ehetetlen és ételmérgezést okozhat. A minimális hőmérsékletnek a legtöbb esetben  $-18\text{ °C}$ -nak vagy ennél hidegebbnek kell lennie.

Megrendelés	rekesz TÍPUS	Cél tárolási hőmérséklet. [°C]	Megfelelő élelmiszer
1	Hűtőszekrény	$+2\leq+6$	Tojás, főtt ételek, csomagolt élelmiszerek, gyümölcsök és zöldségek, tejtermékek, sütemények, italok és egyéb élelmiszerek nem alkalmasak fagyasztásra.
2	(***)*-Fagyasztó	$\leq-18$	Tenger gyümölcsei (halak, garnélarák, kagylók), édesvízi vízi termékek és hústermékek (3 hónapig ajánlott, minél hosszabb a tárolási idő, annál rosszabb az íz és a tápérték), alkalmas fagyasztott friss élelmiszerek.
3	***-Fagyasztó	$\leq-18$	Tenger gyümölcsei (halak, garnélarák, kagylók), édesvízi vízi termékek és húskészítmények (3 hónapig ajánlott, minél hosszabb a tárolási idő, annál rosszabb az íz és a táplálkozás), nem alkalmasak fagyasztott friss élelmiszerekhez.
4	** -Fagyasztó	$\leq-12$	Tenger gyümölcsei (hal, garnélarák, kagyló), édesvízi vízi termékek és hústermékek (2 hónapig ajánlott, minél hosszabb a tárolási idő, annál rosszabb az íz és a tápanyagtartalom), nem alkalmasak fagyasztott friss élelmiszereknek.
5	*-Fagyasztó	$\leq-6$	Tenger gyümölcsei (hal, garnélarák, kagyló), édesvízi vízi termékek és hústermékek (1 hónapig ajánlott, minél hosszabb a tárolási idő, annál rosszabb az íz és a tápérték), nem alkalmasak fagyasztott friss élelmiszereknek.
6	0-csillagos	$-6\leq 0$	Friss sertéshús, marhahús, hal, csirke, néhány csomagolt feldolgozott élelmiszer stb. (Ajánlott ugyanazon a napon belül elfogyasztani, lehetőleg 3 napnál nem tovább). Részben kapszulázott feldolgozott élelmiszerek (nem fagyasztható élelmiszerek)
7	Hűtés	$-2\leq+3$	Friss/fagyasztott sertéshús, marhahús, csirke, édesvízi vízi termékek, stb. (7 nap $0\text{ °C}$ alatt és $0\text{ °C}$ felett ajánlott aznapi fogyasztás, lehetőleg nem több mint 2 nap). Tenger gyümölcsei ( $0\text{ °C}$ alatt 15 napig, $0\text{ °C}$ felett nem ajánlott tárolni).
8	Friss élelmiszer	$0\leq+4$	Friss sertéshús, marhahús, hal, csirke, főtt étel stb. (Ajánlott aznapi fogyasztásra, lehetőleg 3 napnál nem tovább).
9	Bor	$+5\leq+20$	Vörösbor, fehérbor, pezsgő stb.

## 8. KARBANTARTÁS ÉS TISZTÍTÁS



### FIGYELEM

A rutinszerű karbantartási munkálatok elvégzése előtt válassza le a készüléket az elektromos hálózatról. Várjon legalább 5 percet a készülék újraindítása előtt, mivel a gyakori indítás károsíthatja a kompresszort. A leolvasztási folyamat felgyorsítására ne használjon a gyártó által javasoltaktól eltérő mechanikus eszközöket vagy más eszközöket.

Ne próbálja meg saját maga megjavítani, szétszerelni vagy módosítani a készüléket. Javítás esetén forduljon szervizünkhöz.

A tűzveszély és a megnövekedett energiafogyasztás megelőzése érdekében évente legalább egyszer távolítsa el a port a készülék hátuljáról.

Rendszeresen ellenőrizze az ajtó tömítést, hogy az mentes legyen a törmeléktől. Tisztítsa meg az ajtó tömítést szappanos vízzel vagy hígított mosószerrel megnedvesített puha ruhával.

A termék belsejét rendszeresen tisztítani kell a szagok megelőzése érdekében.

Egy puha ruhával vagy szivaccsal tisztítsa meg a termék belsejét két evőkanál szóda bikarbónával és egy liter meleg vízzel. Öblítse le vízzel és törölje tisztára.

A tisztítás után nyissa ki az ajtót, és hagyja természetes módon megszáradni, mielőtt bekapcsolja.

A termék nehezen tisztítható területein (például szűk helyeken, résekben vagy sarkokban) ajánlott rendszeresen áttörölni puha ruhával, puha kefével stb. és szükség esetén néhány segédeszközzel (például vékony pálcikával) kombinálva, hogy ezeken a területeken ne halmozódjon fel szennyeződés vagy baktérium. A termék külső felületét szappanos vízzel, mosószerrel stb. benedvesített puha ruhával törölje át, majd törölje szárazra.

Ne használjon kemény keféket, tiszta acélgolyókat, drótkeféket, csiszolóanyagokat (pl. fogkrém), szerves oldószereket (pl. alkohol, acetón, izoamil-acetát stb.), forró vizet, savas vagy lúgos anyagokat, amelyek károsíthatják a hűtőszekrény felületét és belsejét. A forrásban lévő víz és a szerves oldószerek, mint például a benzol, deformálhatják vagy károsíthatják a műanyag alkatrészeket.



A tisztítás során ne öblítse a készüléket közvetlenül vízzel vagy más folyadékkal, hogy elkerülje a rövidzárlatot vagy az elektromos szigetelés károsodását.



### FIGYELEM

Javasoljuk, hogy a készüléket bekapcsolás után hagyja folyamatosan futni. Általános szabályként a készülék működését nem szabad megszakítani, hogy ne befolyásolja az élettartamát.

### Leolvasztás

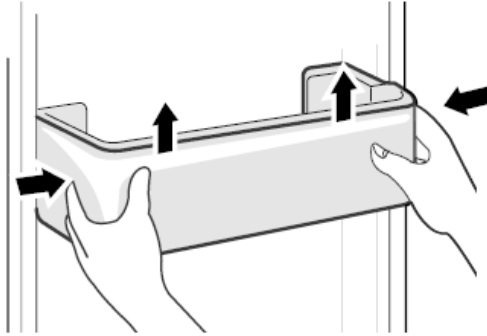
Működés közben a hűtőtér hátsó falán kondenzációs cseppek vagy jégkristályok jelenhetnek meg. Ez normális. Nem kell letörölni a páralecsapódást vagy a jeget. A hátsó fal automatikusan leolvad. A kondenzvíz a kondenzcsatornába folyik, és egy rekeszbe kerül, ahol elpárolog.

**Megjegyzés:** Tartsa tisztán a kondenzcsatornát és a vízkifolyó nyílást, hogy a kondenzvíz megfelelően le tudjon folyni.

## Az ajtótalca tisztítása

Az alábbi ábrán látható irányjelző nyílnak megfelelően mindkét kezével szorítsa össze a tálcát, és nyomja felfelé, majd vegye ki.

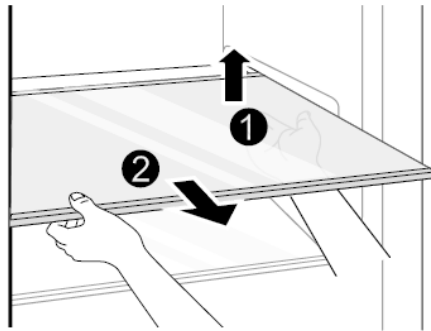
A kivett tálca mosása után a tálca beszerelési magasságát az Ön igényeinek megfelelően állíthatja be.



## Az üvegpolc tisztítása

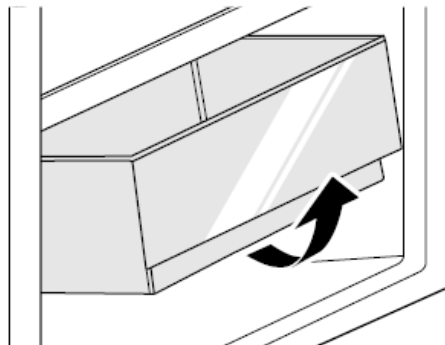
Mivel a hűtőszekrény bélésének legfelső részén, ahol a polcokkal érintkezik, van egy hátramenet, emelje felfelé a polcot, majd ki tudja venni.

Állítsa be vagy tisztítsa meg a polcot az Ön igényei szerint.



## A zöldségfordozó tisztítása

Távolítsa el a fiók tartalmát. Fogja meg a zöldségfordozó fogantyúját, és húzza ki teljesen, amíg meg nem áll. Emelje fel a zöldségfiókot, és húzással vegye ki.



### FIGYELEM

Különbségek: A technikai változások és a különböző modellek miatt a jelen kézikönyvben található illusztrációk némelyike eltérhet az Ön modelljétől.

## 9. HIBAEELHÁRÍTÁS

A következő egyszerű problémákat a felhasználó is kezelheti. Ha a problémák nem oldódnak meg, kérjük, hívja az értékesítés utáni szervizt.

Probléma	Lehetséges okok	Megoldás
A készülék nem működik.	A tápegység nincs bekapcsolva, és a dugó nincs szilárdan behelyezve. Alacsony feszültség, áramkimaradás vagy az áramkör egy része kioldott.	Dugja be erősen a tápkábel dugóját. Ellenőrizze az otthoni áramellátást.
A lámpa nem világít	A készülék nincs bekapcsolva. A lámpa elromlott.	Húzza ki és dugja be újra a tápkábelt. Cserélje ki a lámpát egy újjal.
A gyümölcsök vagy zöldségek megfagytak	Az élelmiszereket a hűtőszekrény hátuljába helyezte? A hátsó falhoz közeli területen a leghidegebb a hőmérséklet. A gyümölcsök vagy zöldségek a Fresh/Chill zónában vannak tárolva.	Ne helyezzen olyan élelmiszereket, amelyek könnyen megfagyhatnak a hűtőrekesz hátsó részébe. A Fresh/Chill zóna csak a húsk/halak számára van fenntartva.
A hűtőszekrény/fagyasztó túlhűl.	A hőmérséklet-szabályozás nincs megfelelően beállítva.	Állítsa magasabbra a hőmérsékletet.
A kompresszor hosszú ideig működik	A magas környezeti hőmérséklet hosszú működési időt okoz. Egyszerre túl sok élelmiszert tesz be. Az étel azelőtt kerül be, mielőtt lehűlné. Az ajtó túl gyakori kinyitása. Túl vastag a fagyréteg a belsejében.	Ez normális. Ne tegyen egyszerre túl sok ételt. Várja meg, amíg az étel lehűl, mielőtt beteszi. Ne nyissa ki túl gyakran az ajtót. Ki kell olvasztani.
Az ajtó nem záródik megfelelően	Az ajtón tárgyak akadtak el. Túl sok étel van benne. Az ajtó tömítése deformálódott.	Ne tegyen be túl sok ételt. Helyezze stabilan a készüléket. Melegítse fel az ajtó tömítést, majd hűtse le a helyreállításhoz (elektromos szárítóval vagy meleg vízzel melegítéshez).
A külső fal forró	A készülék működése közben a hő a szekrény belsejében lévő fémcsöveken keresztül távozik kifelé. Nyáron a magasabb környezeti hőmérséklet hatására a külső fal hőmérséklete megemelkedik.	A külső fal magasabb hőmérséklete normális. Növelje a hőleadó teret, vagy helyezze a készüléket szellőztetett és hűvös helyre.
Szagok	Romlott ételek Erős szagú ételek A belső rekesz szennyezett.	Tisztítsa meg és távolítsa el a romlott élelmiszereket. Győződjön meg róla, hogy az erős szagú ételek légmentesen be vannak csomagolva. Tisztítsa meg a belső rekeszt.

A tényleges hőmérséklet eltér a beállított hőmérséklettől	Ha meleg ételt tesz be, a hőmérséklet átmenetileg megemelkedik. Az új hőmérséklet beállítása után némi időbe telik, amíg a hőmérséklet a rekeszben, hogy elérje a beállított hőmérsékletet, ha az ajtó nincs kinyitva. A hőmérséklet állandósulása után a rekesz különböző helyein a tényleges hőmérsékletek eltérnek egymástól, körülbelül $\pm 3$ °C-os eltéréssel.	Ez normális. Várjon egy kis időt a tényleges hőmérséklet ellenőrzése előtt.
Kondenzáció képződik a külső oldalon	Kondenzáció képződhet, ha a helyiségben magas a páratartalom.	Ez normális. Törölje le a kondenzációt egy száraz ruhával.
Kondenzáció képződik a hűtőszekrény és a fiókok belsejében	A hűtőszekrény magas páratartalmat tart fenn, hogy a zöldségek és más élelmiszerek frissen maradjanak. Túl magas a páratartalom a helyiségben, és az ajtók gyakran nyitva vannak. Az ajtótmítések nem tömörök.	Száraz ruhával törölje le a páralecsapódást. Ne nyissa ki olyan gyakran az ajtókat, vagy ne tartsa őket túl sokáig nyitva. Ellenőrizze az ajtótmítést, tisztítsa meg vagy javítsa ki a helyzetét.
Nehéz kinyitni az ajtót	A rekesz belseje és külseje közötti légnyomáskülönbség miatt néha nehéz kinyitni a fagyasztó ajtaját.	Várjon néhány pillanatot, majd próbálja meg lassan kinyitni az ajtót.

A készülék normál használata során bizonyos zajok hallhatók, amelyek nem befolyásolják a megfelelő működést.

Olyan zajok, amelyek könnyen megelőzhetők:

- A készülék nem vízszintes helyzetéből adódó zajok - állítsa vízszintbe a készüléket az állítható elülső lábak segítségével. Alternatív megoldásként helyezzen puha anyagból készült védőket a hátsó görgők alá, különösen akkor, ha a készüléket csempére helyezi.
- A készülék hozzáér a szomszédos bútorokhoz - helyezze el a készüléket.
- A fiókok vagy polcok nyikorognak - vegye ki és cserélje ki a fiókot vagy polcot.
- Összekoccanó palackok hangja - távolítsa el a palackokat egymástól.

A normál használat során hallható hangokat elsősorban a kompresszor és a hűtőrendszer működése (bekapcsolása) okozza (a hűtőfolyadék áramlása által okozott hőtágulás és összehúzódás a radiátorban).

## ÜGYFÉLSZOLGÁLAT ÉS SZERVIZ

Mindig eredeti pótalkatrészeket használjon.

Ha felveszi a kapcsolatot a hivatalos szervizközpontunkkal, gondoskodjon arról, hogy a következő adatok rendelkezésre álljanak: Modell- és sorozatszám.

Az adatok a teljesítménytáblán találhatóak. Előzetes értesítés nélkül változhat.

### TECHNIKAI ADATOK

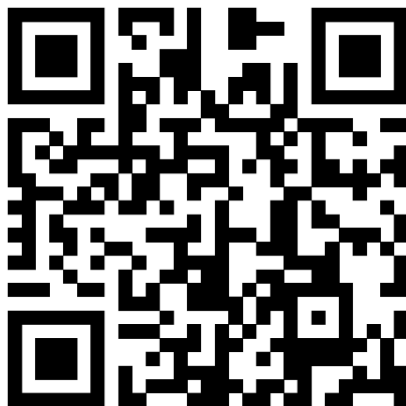
A műszaki adatok a készülék belső oldalán lévő teljesítménytáblán és az energiacímkén találhatóak.

A készülékhez mellékelt energiacímkén található QR-kód egy weblinket biztosít a készülék teljesítményével kapcsolatos információkhoz az EU EPREL adatbázisában.

Az energiacímkét a használati útmutatóval és a készülékhez mellékelt minden más dokumentummal együtt őrizze meg referenciaként.

Ugyanezeket az információkat az EPREL adatbázisban is megtalálhatja a <https://eprel.ec.europa.eu> link, valamint a készülék címtábláján található típusnév és termékszám segítségével.

A termékre vonatkozó információk eléréséhez az EPREL portálon az alábbi kódok beolvasásával juthat hozzá:



Köszönjük, hogy megvásárolta ezt a terméket. Ha támogatásra van szüksége a termékkel kapcsolatban, látogasson el weboldalunkra az alábbi linkek segítségével.

**Felhasználói kézikönyvek beszerzése:** <https://www.heinner.ro>

**Szervizinformációk:** <https://www.heinner.ro>



#### Környezetbarát ártalmatlanítás

Ön is hozzájárulhat a környezet védelméhez!

Ne feledje, hogy tartsa be a helyi előírásokat: adja le a nem működő elektromos berendezéseket a megfelelő hulladékkezelő központban.



A HEINNER a Network One Distribution SRL bejegyzett védjegye. Más márkák és terméknevek a megfelelő jogosultak védjegyei vagy bejegyzett védjegyei.

A specifikációk semmilyen formában vagy eszközzel nem reprodukálhatók, illetve nem használhatók fel származékos termékek készítésére, például fordításra, átalakításra vagy adaptációra a NETWORK ONE DISTRIBUTION engedélye nélkül.

Szerzői jog © 2013 Network One Distribution. Minden jog fenntartva.

[www.heinner.com](http://www.heinner.com), <http://www.nod.ro>



Ez a termék megfelel az Európai Közösség normáinak és szabványainak.



Gyártó és importőr: **Network One Distribution**

Marcel Iancu Street, 3-5, Bukarest, Románia

Tel: +40 21 211 18 56, [www.heinner.com](http://www.heinner.com), [www.nod.ro](http://www.nod.ro)