

WINE COOLER

Model: HRV-A52DRM18



- Number of bottles: 18
- Energy class: G

HEINNER

1. INTRODUCTION

Please read the instructions carefully and keep the manual for future information.

This manual is designed to give all necessary instructions concerning installation, use and maintenance of the unit. In order to operate the unit correctly and safely, please read this instruction manual carefully before installation and use.

2. CONTENT OF YOUR PACKAGE

- ➔ **Wine cooler**
- ➔ **User manual**
- ➔ **Warranty certificate**

3. SAFETY WARNINGS

Warning



Risk of fire/flammable materials

- Your safety is of the utmost importance to our company. Please make sure that you read this instruction booklet before attempting to install or use the appliance. If you are unsure of any of the information contained in this booklet, please contact the Technical Department.
- This appliance can be used by children aged from 8 years and above and people with reduced physical, sensory or mental capabilities or lack of experience and knowledge if they have been given supervision or instruction concerning use of the appliance in a safe way and understand the hazards involved. Children should not play with the appliance. Cleaning and user maintenance shall not be done by children without supervision.
- Children aged from 3 to 8 years are not allowed to load and unload refrigerating appliances. Children should be supervised to ensure that they do not play with the appliance.
- This appliance is intended for HOUSEHOLD USE ONLY and not for commercial or industrial use.
- **Warning:** Keep ventilation openings, in the appliance enclosure or in the built-in structure, clear of obstruction.
- **Warning:** Do not use mechanical devices or other means to accelerate the defrosting process, other than those recommended by the manufacturer.
- **Warning:** Do not damage the refrigerator circuit.
- **Warning:** Do not use electrical appliances inside the storage compartments of the appliance, unless they are of the type recommended by the manufacturer.
- **Warning:** Make sure that the appliance is connected to power supply in accordance with the rating label.
- **Warning:** Use an independent grounded socket with 10A or higher, do not connect to transformer or socket with multiple outlets.
- **Warning:** Make sure the socket is grounded properly and do not modify the power cord & plug.
- **Warning:** Connect the power plug with socket firmly in case of possible risk of fire.
- **Warning:** Plugs should be within reach for easy disconnection after the appliance positioned in case of accidents occurred.
- **Warning:** Do not store or burn gasoline or other inflammable near the appliance in case of possible fire.

- **Warning:** Do not store inflammable explosives, acid & alkaline liquids etc.in the compartment of the appliance.
- **Warning:** Do not operate other appliances in the compartment.
- **Warning:** The appliance is designed to stand alone on the floor and cannot be built under the counter.

Child Safety

- Do not allow children to play inside the appliance in case of entrapment.
- Do not allow children to hang on the door to play in case of falling off the appliance.
- Do not allow a child to reach into a compressor compartment or touch metal components at rear of the appliance in case of possible injury.

Keep away from water

- Do not spray water on the appliance or wash the appliance by pouring or filling water in case of invalid insulation and possible electric shock.

Be careful of freezing

- Do not touch the surface of the liner inside the compartment, especially with a wet hand, in case of frozen injury while the appliance is in operation.

Do not open the door for long periods

- Opening the door for long periods can cause a significant increase of the temperature in the compartments of the appliance.

Modification of the appliance is not allowed

- Do not reconstruct the appliance by yourself, which might cause damage to the appliance.

Unplug the appliance under certain conditions

- Unplug the appliance before cleaning & maintenance.
- Unplug the appliance when a power cut occurred.

Disposal of the appliance

- Please, according to local regulations regarding disposal of the appliance for its flammable refrigerant and blowing gas.
- Before you scrap the appliance, please take off the doors to prevent children from being trapped.
- Send the appliance to the designated disposal location.

Electricity related warnings

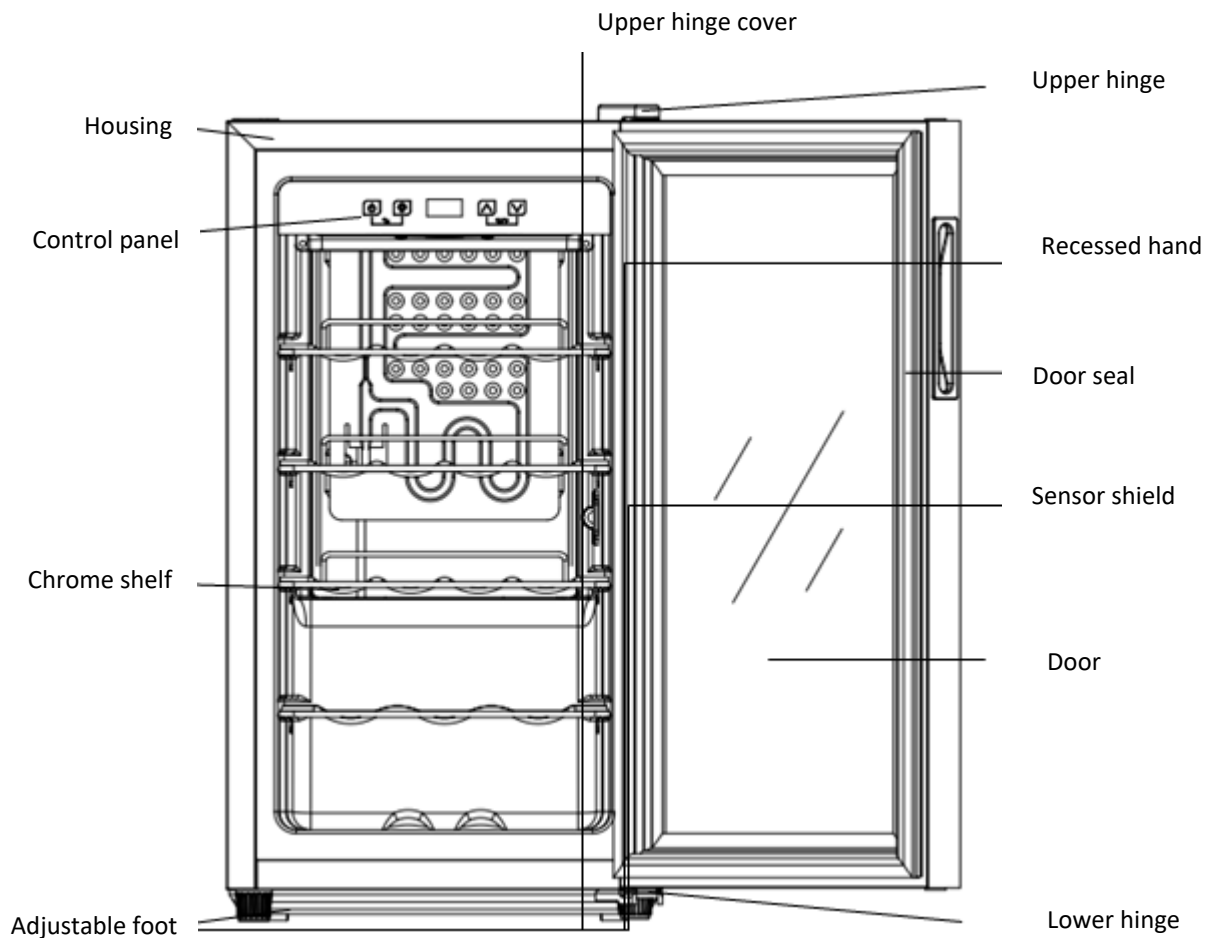
Do not damage the power cord

- Do not disconnect the appliance by pulling power cord rather than pulling the plug.
- Do not set the appliance above the power cord or step on the cord intentionally.
- Put the power cord at right place when moving the appliance.

When the power cord is damaged

- Do not use damaged power cords, and get it replaced immediately by manufacturer service agent or by qualified electrician.
- If needed, extend the power cord with cord of 0.75mm² or bigger by qualified electrician.

4. PRODUCT DESCRIPTION



The picture above is only for reference. The actual configuration will depend on the physical product or statement by the distributor.

5. INSTALLATION

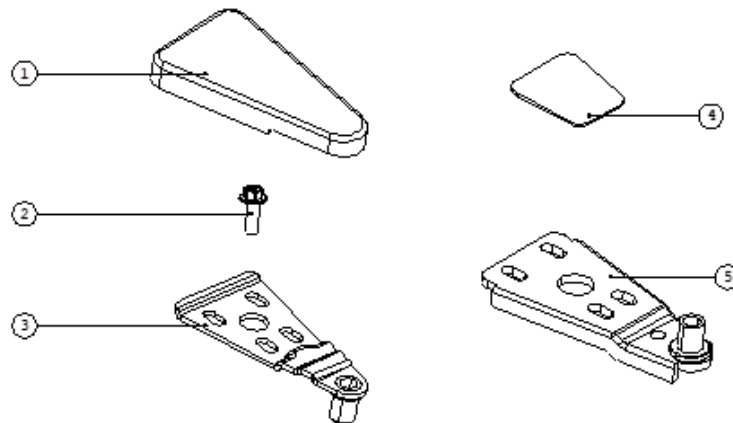
Position

- ⚠ Do not lean the appliance over 45° when moving it to position.
- ⚠ The appliance must be put on flat, firm & dry floor or similar noncombustible pad; do not use the package foam pad.
- ⚠ Do not put the appliance in a wet place.
- ⊘ Do not use the appliance in the frozen place.
Do not use the appliance outdoors in case of sunlight or rain.
- ⚠ The appliance must be set with a 10 cm wider space around for good ventilation; it is normal for the housing of the cabinet to get heat when it's in operation.

Wine bottles could be stored when you feel cooling inside after the appliance operates around 1 hour.

Door reversing

1. Parts for door reversing

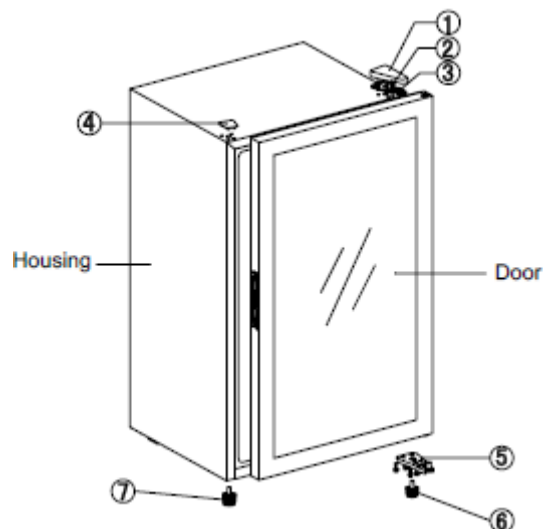


1. Door hinge cover
2. Flange screw
3. Door hinge
4. Cap
5. Lower door hinge

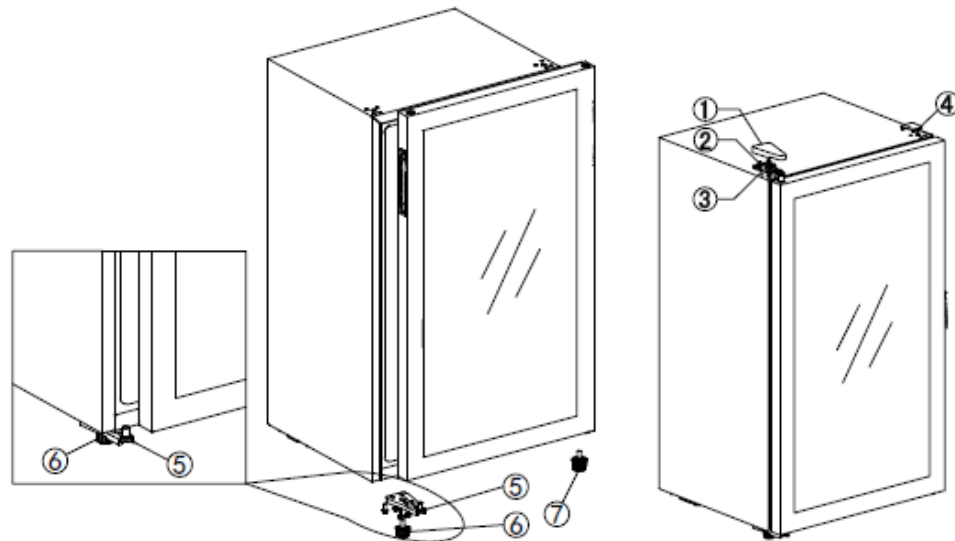
2. Reversing the door

Our wine coolers are delivered with the door opening from left to right. To reverse the opening direction:

- 1) Close the door.
- 2) Take off the door hinge cover (1) on the up right corner; Unscrew the flange screws (2); Take off door hinge (3); Remove the up left side cap (4).
- 3) Lift the door up until the door gets off the lower door hinge (5).
- 4) Unscrew the lower door hinge. Remove the short cabinet foot (6) and height cabinet foot (7).



- 5) Fit the lower door hinge (5) to the down left corner; Install the short cabinet foot (6) and the height cabinet foot (7). Put the door above and insert into the lower door hinge.
- 6) Fit the door hinge (3) to the up left corner and screw the flange screws (2); Put on the door hinge cover (1); Put the cap to the up right side (4).



6. OPERATION

Start operation

1. Cleaning the compartment

Before power on, clean inside of the appliance and check the drainage pipe in good connection.

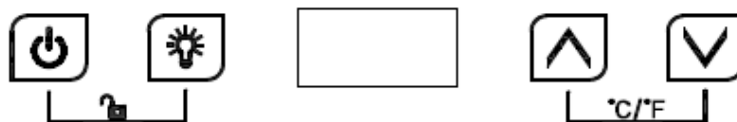
2. Put the appliance still

Before the power is on, level the appliance on the firm & dry floor for at least 3 hours.

3. Power on

The appliance starts operation, and it will cool down inside after 1 hour, otherwise you should check the power connection.

Control panel



All keys would be invalid in lock mode. Please unlock first.



ON/OFF

1. Keep pressing the key for 3 seconds, power down, and go to stand-by mode.
2. Keep pressing the key again for 3 seconds to return to normal work.



Light

Press the key, turn it on or turn off the LED lights inside. In stand-by mode, the key is invalid.



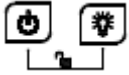
UP

Press the key once, LED Display in regular flash showing current set temperature. Continue pressing to adjust set temperature, one press increases 1°C. Regular flash quit after 5 seconds detecting no press and new set temperature save. The LED display returns to show the actual temperature inside.



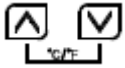
Down

Press the key once, LED Display in regular flash showing current set temperature. Continue pressing to adjust set temperature, one press reduces 1°C. Regular flash quit after 5 seconds detecting no press and new set temperature save. The LED display returns to show actual temperature inside.



Child Lock (Combination key)

- 1.Lock : Press both keys at the same time for 3 seconds to lock.
- 2.Unlock : Press both keys at the same time for 3 seconds to unlock.

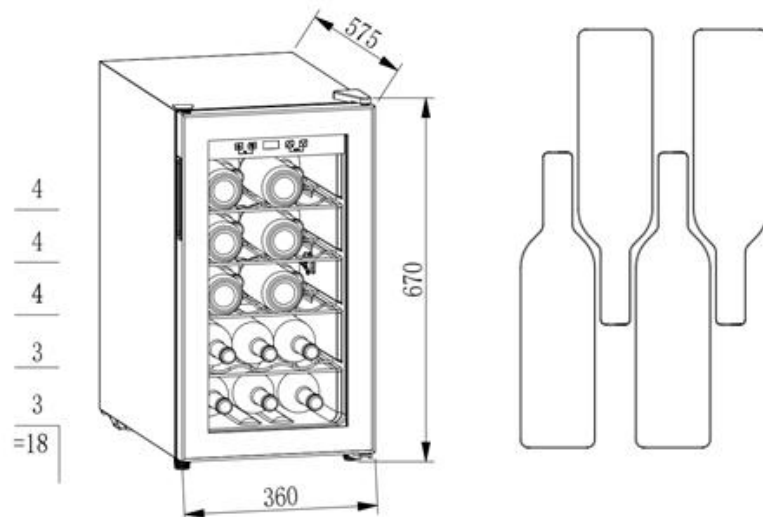


Fahrenheit/Celsius display interchange

Switch temperature display between Fahrenheit and Celsius by pressing both keys at the same time for 2 seconds.

Wine storage

The appliance equips with sufficient shelves to allow your collection of wine to mature quietly and peacefully. 4 chrome shelves loading capacity: 18 bottles. (Standard Bordeaux with 750ml)



- Loading capacity will vary in terms of different ways of bottle arrangement or different bottle sizes.
- Each shelf is designed to put on 1 or 2 layers of wine bottles. More than 2 layers of bottle arrangement on one shelf are not recommended.
- Each shelf could pull out partly to store wine bottles easily.
- Open the door straight enough before pulling out shelves.
- The shelf should be avoided in front of the fan as much as possible to avoid blocking the air inlet and affecting the cooling efficiency.
- If the wine cooler has no load for a long time, it is recommended to power it off, clean it carefully, and open the door for ventilation.
- Below table is the recommended temperature for wine storage & drinking:

Red Wine	15-18°C
White Wine	9-14°C
Rose wine	10-11°C
Champagne & sparkling wine	5- 8°C



1. The ex-factory temperature of this product is 12°C, and the corresponding temperature range needs to be set according to the actual wine.
2. The cooling temperature could be set from 5 to 20°C.
3. Alarm sound: when the system malfunctions occur and alarm sound, press any key on the control panel to cancel the alarm sound.

7. MAINTENANCE AND CLEANING

Cleaning

- Disconnect the appliance before cleaning.
- Clean the appliance with soft cloth or sponge by water.
- Do not use organic solvents, alkaline detergent, boiling water, washing powder or acid liquid etc.
- Do not flush the compartment of the appliance.
- Clean regular surfaces that can come in contact with accessible drainage systems.

The below items will damage the surface of wine cooler:



Power cut

Most power cuts could be resolved within a short time. To protect your wines during a power cut, avoid opening the door as much as possible. During very long power cuts, take the necessary measures to protect your wine.

Out of service for long time

Remove all bottles from the appliance, switch off, defrost, clean, dry, and leave the door open to prevent mould developing within the appliance.



If the appliance is disconnected or if there is a power cut, you must wait at least five minutes before re-starting

Out of service for long time

Remove all bottles from the appliance, switch off, defrost, clean, dry, and leave the door open to prevent mould developing within the appliance.

Moving the appliance

Cut off the power supply and unplug the appliance.

Remove all bottles from the appliance.

When moving the appliance, do not lean the appliance over 45°.

8. TROUBLESHOOTING

Problem	Solution
The appliance makes lots of noise?	Please adjust the front foot, keep the appliance leveling. Please keep the appliance a bit space from walls.
Liquid flowing sound inside the cabinet?	It is normal because of the refrigerant working inside.
The appliance does not start?	Make sure the appliance is connected to the power properly. Make sure to switch on the power. The compressor re-starts after 5 minutes for a power cut.
Compressor runs continuously?	If no cold is being produced, call the retailer's after-sale service.
Doors do not seal tightly?	After long time use, the door seal might get stiff & distorted partially. 1. Heat the door seal with a hot-wind blower or hot towel. 2. The door seal gets softened and closes the door.
The appliance does not cool sufficiently?	Please adjust the temperature setting. Keep the appliance away from sunlight or heat. Please do not open the door frequently.
Unpleasant smells inside cabinet?	A little bit plastic smell for newly-buy appliances is normal and will disappear after a short time. Clean the compartment and ventilate it for a few hours.
Condensate on the glass door?	Please do not open the door frequently or for a long time. Please do not set the temperature too low. High ambient temperature and humidity would cause condensate.
Is the light not working?	Check the power supply first. Call the retailer's after-sale service if the light is broken.

Error code:

When the temperature sensor failures occur, error code displays:
E1 for an open circuit. / E2 for short circuit.

CUSTOMER CARE AND SERVICE

Always use original spare parts.

When contacting our Authorized Service Centre, ensure that you have the following data available: Model and Serial Number.

The information can be found on the rating plate. Subject to change without notice.

TECHNICAL DATA

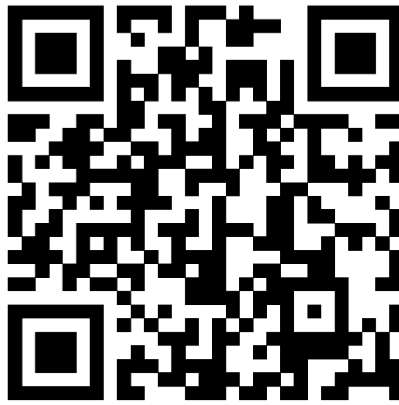
The technical information is situated in the rating plate on the internal side of the appliance and on the energy label.

The QR code on the energy label supplied with the appliance provides a web link to the information related to the performance of the appliance in the EU EPREL database.

Keep the energy label for reference together with the user manual and all other documents provided with this appliance.

It is also possible to find the same information in EPREL using the link <https://eprel.ec.europa.eu> and the model's name and product number that you find on the rating plate of the appliance.

To access information about your product in the EPREL portal, you can scan the codes below:



Thank you for purchasing this product. If you need support with your product, visit our website using the links below.

Get User manuals: <https://www.heinner.ro>

Get Service information: <https://www.heinner.ro>



Environmentally friendly disposal

You can help protect the environment!

Please remember to respect the local regulations: hand in the non-working electrical equipment's to an appropriate waste disposal center.



HEINNER is a registered trademark of **Network One Distribution SRL**. Other brands and product names are trademarks or registered trademarks of their respective holders.

No part of the specifications may be reproduced in any form or by any means or used to make any derivative such as translation, transformation, or adaptation without permission from NETWORK ONE DISTRIBUTION.

Copyright © 2013 Network One Distribution. All rights reserved.

www.heinner.com, <http://www.nod.ro>



This product is in conformity with the norms and standards of European Community



Importer: **Network One Distribution**

Marcel Iancu Street, 3-5, Bucharest, Romania

Tel: +40 21 211 18 56, www.heinner.com , www.nod.ro

RĂCITOR DE VINURI

Model: HRV-A52DRM18



- Numar de sticle: 18
- Clasa de eficiență energetică: G

HEINNER

1. INTRODUCERE

Vă rugăm să citiți instrucțiunile cu atenție și să păstrați manualul pentru consultări ulterioare. Acest manual are scopul de a vă oferi toate instrucțiunile necesare cu privire la instalarea, utilizarea și întreținerea aparatului. Pentru utilizarea corectă și în siguranță a aparatului, vă rugăm să citiți cu atenție acest manual de instrucțiuni înainte de instalare și utilizare.

2. CONȚINUTUL PACHETULUI DUMNEAVOASTRĂ

- ➔ Răcitor de vinuri
- ➔ Manual de utilizare
- ➔ Certificat de garanție

3. AVERTISMENTE PRIVIND SIGURANȚA

Avertisment



Risc de incendiu/materiale inflamabile

- Siguranța dumneavoastră este extrem de importantă pentru compania noastră. Vă rugăm să citiți acest manual de instrucțiuni înainte de a încerca să instalați sau să utilizați aparatul. Dacă aveți nelămuriri cu privire la informațiile din acest manual, vă rugăm să contactați departamentul tehnic.
- Aparatul poate fi utilizat de către copii cu vârste începând de la 8 ani și de către persoane cu capacități fizice, senzoriale sau mentale reduse, cu lipsă de experiență sau cunoștințe, numai dacă acestea sunt supravegheate sau instruite în ceea ce privește utilizarea în siguranță a aparatului și dacă înțeleg pericolele pe care le implică utilizarea. Copiii nu au voie să se joace cu aparatul. Curățarea și întreținerea nu trebuie efectuate de către copii nesupravegheați.
- Copiilor cu vârste începând de la 3 ani nu le este permis să introducă și să scoată alimente din aparatele frigorifice. Copiii trebuie supravegheați, astfel încât aceștia să nu se joace cu aparatul.
- Acest aparat este DESTINAT NUMAI UZULUI CASNIC, nu și celui comercial sau industrial.
- **Atentie:** Asigurați-vă că gurile de ventilație ale carcasei aparatului sau ale corpului acestuia nu sunt obturate.
- **Atentie:** Utilizați numai dispozitive mecanice sau mijloace de grăbire a procesului de dezghețare recomandate de către producător.
- **Atentie:** Nu deteriorați circuitul de refrigerare.
- **Atentie:** Nu folosiți aparate electrice în interiorul compartimentelor de depozitare din acest aparat, decât dacă acestea sunt de tipul celor recomandate de către producător.
- **Atentie:** Asigurați-vă că aparatul este conectat la o sursă de alimentare ale cărei caracteristici să corespundă cu cele specificate pe eticheta cu date tehnice.
- **Atentie:** Utilizați o priză separată, cu împământare, de 10A sau mai mare; nu conectați aparatul la un transformator sau la o priză multiplă.
- **Atentie:** Asigurați-vă că priza este conectată la împământare în mod corespunzător și nu modificați cablul de alimentare sau ștecărul.
- **Atentie:** Conectați ferm ștecărul la priză, pentru a evita riscul de producere a unui incendiu.

- **Atentie:** Ștecărele trebuie să fie la îndemână, pentru a putea fi deconectate ușor după poziționarea aparatului, în cazul producerii unui accident.
- **Atentie:** Pentru a evita riscul de producere a unui incendiu, nu depozitați și nu ardeți benzină sau alte materiale inflamabile în apropierea aparatului.
- **Atentie:** Nu depozitați materiale inflamabile, explozive, lichide acide sau alcaline etc. în compartimentul aparatului.
- **Atentie:** Nu utilizați alte aparate în compartiment.
- **Atentie:** Aparatul este conceput pentru a fi poziționat independent pe podea și nu poate fi montat sub blat.

Siguranța copiilor

- Nu permiteți copiilor să se joace în interiorul aparatului, pentru a evita riscul de blocare.
- Nu permiteți copiilor să se agațe de ușă, pentru a preveni pericolul de rănire în cazul răsturnării aparatului.
- Pentru a preveni pericolul de rănire, nu permiteți copiilor să atingă compartimentul compresorului sau componentele metalice din spatele aparatului.

Feriți produsul de apă!

- Nu pulverizați apă pe aparat și nu spălați aparatul cu apă, deoarece izolația ar putea fi deteriorată și ar putea interveni pericolul de electrocutare.

Atenție la degerături!

- În timpul funcționării aparatului, nu atingeți suprafața interioară a compartimentului, pentru a evita degerăturile.

Nu lăsați deschisă ușa aparatului pe perioade lungi

- Dacă ușa aparatului este lăsată deschisă pe perioade lungi, temperatura din compartimentele aparatului crește semnificativ.

Modificarea aparatului nu este permisă

- Nu încercați să modificați aparatul, deoarece există riscul să îl deteriorați.

Deconectați aparatul de la sursa de alimentare cu energie electrică în anumite situații

- Deconectați aparatul de la sursa de alimentare cu energie electrică înainte de efectuarea operațiilor de curățare și întreținere.
- Deconectați aparatul de la sursa de alimentare cu energie electrică în cazul unei întreruperi a alimentării cu energie electrică.

Eliminarea produsului

- Vă rugăm să respectați reglementările locale cu privire la eliminarea aparatului, deoarece acesta conține gaz izolan sub presiune și agent de refrigerare inflamabil.
- Înainte de eliminarea aparatului, vă rugăm să demontați ușile, pentru a evita blocarea copiilor în interior.
- Trimiteți aparatul la un centru de colectare autorizat.

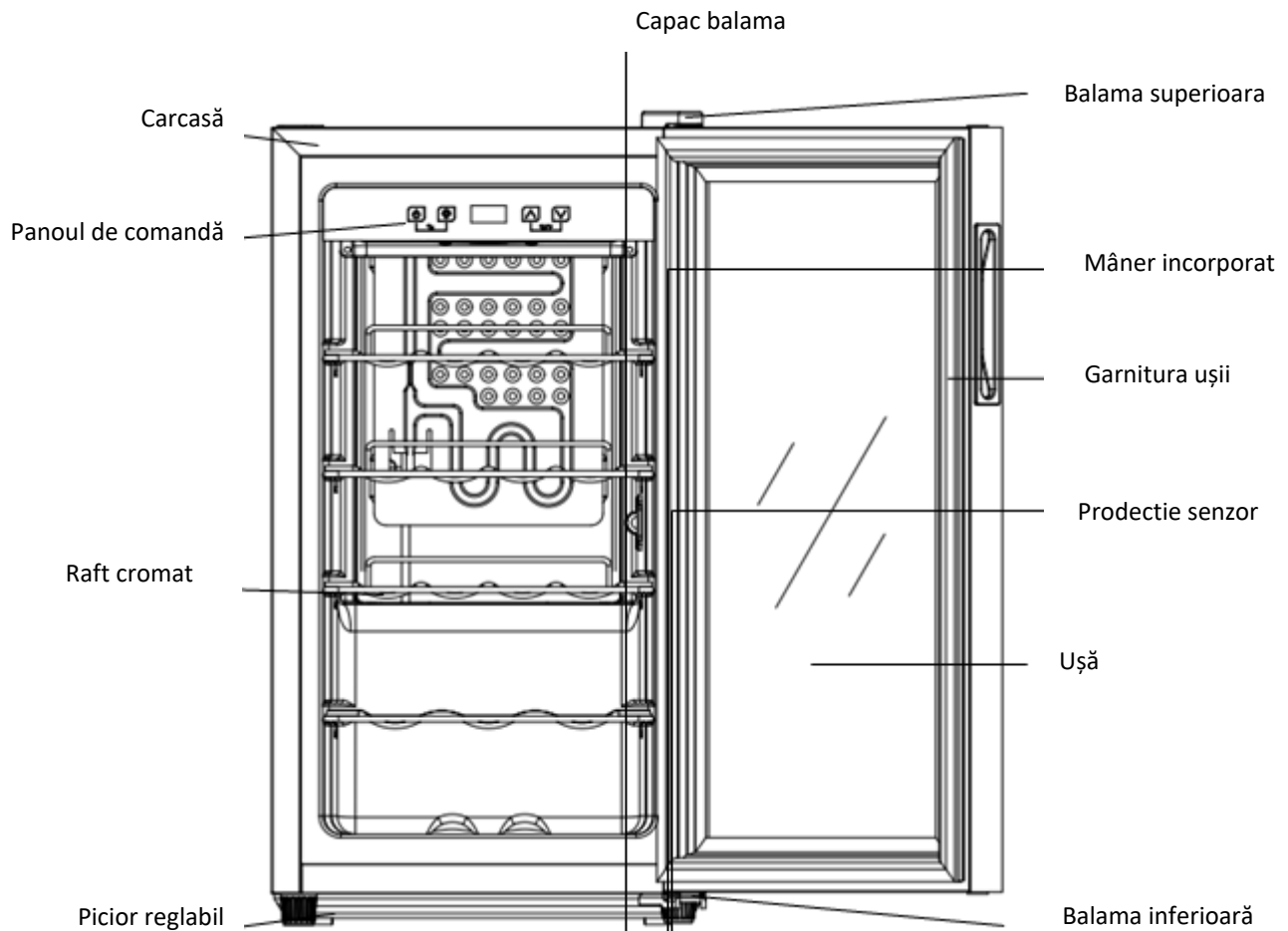
Nu deteriorați cablul de alimentare

- Nu deconectați aparatul de la sursa de alimentare trăgând de cablul acestuia, ci trageți întotdeauna de ștecăr.
- Nu așezați aparatul pe cablul de alimentare și nu călcați intenționat pe acesta.
- Puneți cablul de alimentare în poziția corectă atunci când mutați aparatul.

În cazul în care cablul de alimentare prezintă deteriorări

- Nu utilizați cabluri de alimentare care prezintă deteriorări; înlocuiți-le imediat prin intermediul unui service autorizat sau al unui electrician calificat.
- Dacă este necesar, prelungiți cablul de alimentare doar cu un cablu de minimum 0,75 mm², montat de un electrician calificat.

4. DESCRIEREA PRODUSULUI



Imaginea de mai sus are numai scop informativ. Produsul real poate fi ușor diferit de cel prezentat în ilustrație.

5. INSTALARE

Poziția de instalare

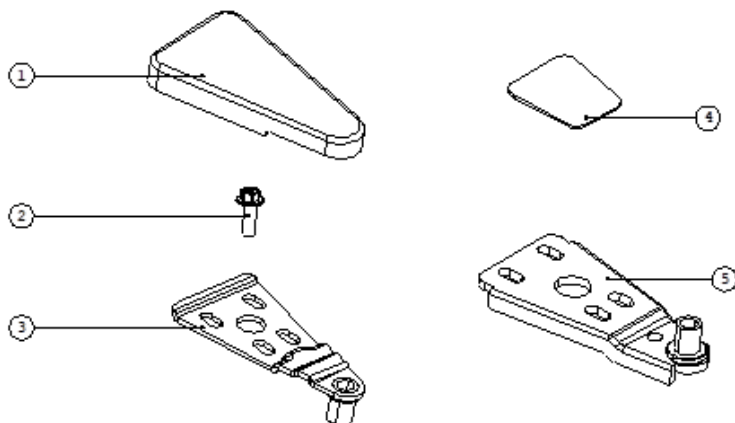
- ⚠ Nu înclinați aparatul la un unghi mai mare de 45° atunci când îl mutați în locul de instalare.
- ⚠ Aparatul trebuie așezat pe o suprafață plană, solidă și uscată sau pe un suport similar, neinflamabil; nu utilizați suportul de spumă din ambalaj.
- ⚠ Nu amplasați aparatul într-un loc umed.
- ⚠ Nu utilizați aparatul în încăperi unde temperatura poate scădea sub limita de îngheț.

Nu utilizați aparatul în aer liber, pentru a evita expunerea la lumina directă a soarelui și la ploaie.

⚠ Aparatul trebuie instalat astfel încât să existe un spațiu liber de cel puțin 10 cm în jurul acestuia, pentru o ventilație corespunzătoare; este normal ca exteriorul carcasei să se încălzească în timpul funcționării. Puteți depozita sticlele de vin după ce simțiți că interiorul aparatului se răcește, la aproximativ o oră după pornirea acestuia.

Inversarea sensului de deschidere a ușii

1. Pieșe pentru inversarea ușii

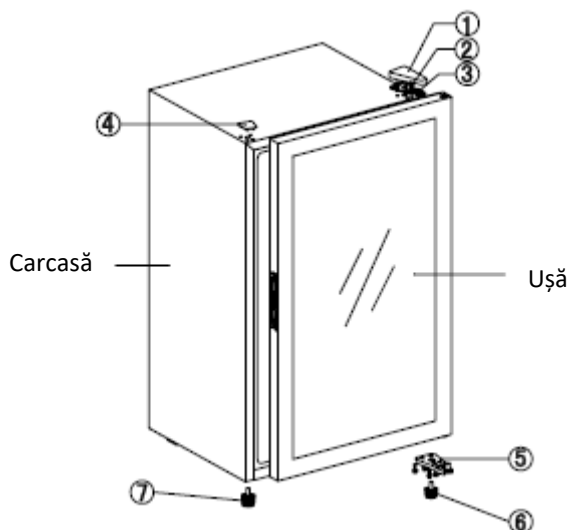


1. Capac balama
2. Șurub flanșă
3. Balama ușă
4. Capac
5. Balama ușă inferioară

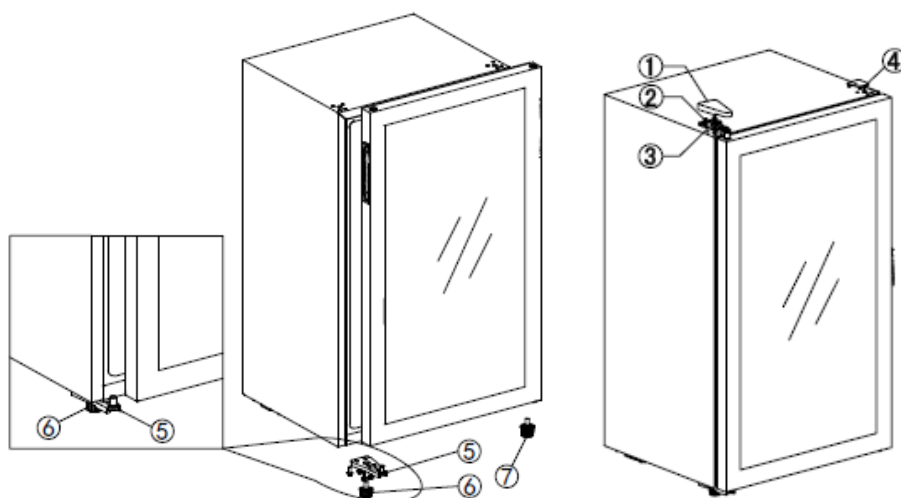
2. Inversarea sensului de deschidere a ușii

Răcitoarele noastre de vinuri sunt livrate cu ușa configurată să se deschidă dinspre stânga spre dreapta. Pentru schimbarea sensului de deschidere a ușii:

- 1) Închideți ușa.
- 2) Scoateți capacul balamalei ușii (1) din colțul dreapta sus; defaceți șuruburile cu flanșă (2); îndepărtați balamaua ușii (3); scoateți capacul din partea stângă sus (4).
- 3) Ridicați ușa până când aceasta se desprinde de balamaua inferioară (5).
- 4) Defaceți balamaua inferioară a ușii. Îndepărtați piciorul scurt (6) și piciorul înalt (7).



- 5) Montați balamaua inferioară a ușii (5) în colțul din stânga jos; instalați piciorul scurt (6) și piciorul înalt (7). Așezați ușa deasupra și introduceți-o în balamaua inferioară.
- 6) Montați balamaua ușii (3) în colțul din stânga sus și fixați-o cu șuruburile cu flanșă (2); puneți capacul balamalei ușii (1); montați capacul pe partea dreaptă sus (4).



6. MOD DE UTILIZARE

Pornirea aparatului

1. Curățarea compartimentului

Înainte de conectarea la sursa de alimentare, curățați interiorul aparatului și asigurați-vă că ați conectat corespunzător conducta de scurgere.

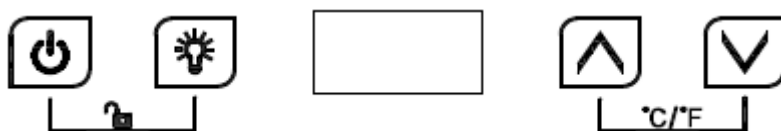
2. Așezați aparatul în poziție stabilă

Înainte de pornire, așezați aparatul pe o suprafață uniformă și uscată și lăsați-l să se stabilizeze timp de cel puțin 3 ore.

3. Pornirea aparatului

Aparatul începe să funcționeze, iar interiorul acestuia se va răci în aproximativ o oră. Dacă observați că interiorul aparatului nu se răcește, verificați dacă alimentarea cu energie electrică este corespunzătoare.

Panoul de comandă



Toate butoanele sunt inactive când panoul de comandă este blocat. Vă rugăm să deblocați mai întâi panoul.



PORNIRE/OPRIRE

1. Apăsați și mențineți apăsat acest buton timp de 3 secunde, pentru a opri alimentarea și a comuta la modul stand-by.

2. Apăsați și mențineți apăsat din nou butonul timp de 3 secunde, pentru a reveni la modul normal de funcționare.



Lumina

Apăsați pe acest buton pentru a aprinde sau stinge luminile LED din interior. În modul stand-by, acest buton nu este activ.



SUS

Apăsați o dată pe acest buton. Afișajul LED clipește, indicând temperatura setată curentă. Continuați să apăsați pentru a regla temperatura. Fiecare apăsare crește temperatura cu câte 1°C. După 5 secunde, dacă aparatul nu detectează nicio apăsare de buton, afișajul LED nu mai clipește și se salvează noua temperatură setată. Afișajul LED revine la indicarea temperaturii curente.



JOS

Apăsați o dată pe acest buton. Afișajul LED clipește, indicând temperatura setată curentă. Continuați să apăsați pentru a regla temperatura. Fiecare apăsare reduce temperatura cu câte 1°C. După 5 secunde, dacă aparatul nu detectează nicio apăsare de buton, afișajul LED nu mai clipește și se salvează noua temperatură setată. Afișajul LED revine la indicarea temperaturii curente.



Blocare împotriva acționării de către copii (combinație de butoane)

1. Blocare: apăsați și mențineți apăsat simultan ambele butoane timp de 3 secunde, pentru a bloca panoul de comandă.
2. Deblocare: apăsați și mențineți apăsat simultan ambele butoane timp de 3 secunde, pentru a debloca panoul de comandă.



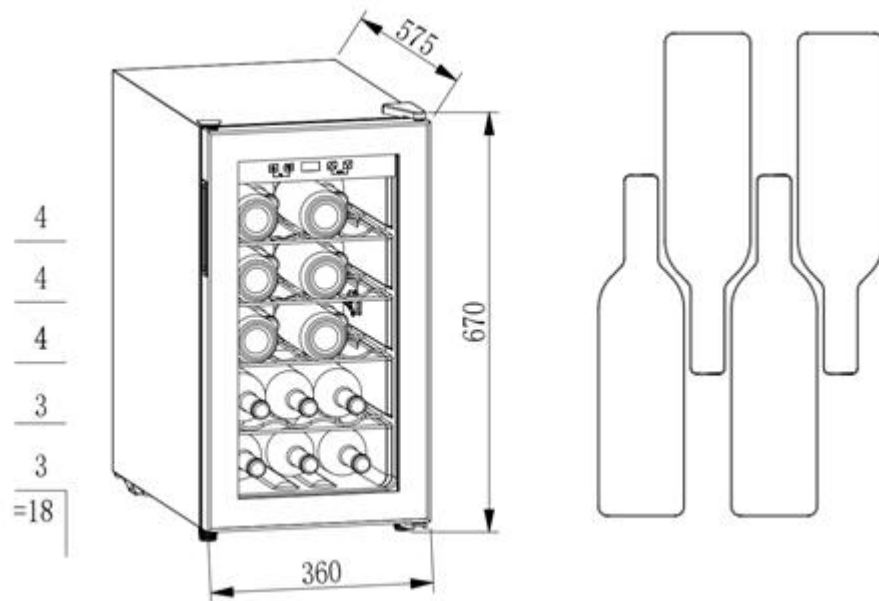
Comutare între afișare în grade Fahrenheit și grade Celsius

Apăsați și mențineți apăsat simultan ambele butoane timp de 2 secunde pentru a comuta între afișarea temperaturii în grade Fahrenheit și grade Celsius.

Depozitarea vinurilor

Aparatul este prevăzut cu suficiente rafturi, pentru a vă permite să depozitați colecția de vinuri în condiții ideale, în liniște și siguranță.

Aparatul dispune de 4 rafturi cromate și are o capacitate de depozitare de până la 18 de sticle standard Bordeaux (750 ml).



- Capacitatea de încărcare poate varia în funcție de modul de aranjare a sticlelor sau de dimensiunea acestora.
- Fiecare raft este proiectat pentru a susține 1 sau 2 rânduri de sticle de vin. Nu se recomandă așezarea a mai mult de 2 rânduri de sticle pe un singur raft.
- Fiecare raft se poate trage parțial, pentru a facilita depozitarea sticlelor.
- Deschideți ușa complet înainte de a trage rafturile.
- Evitați poziționarea raftului în fața ventilatorului, pentru a nu bloca admisia de aer și a nu afecta eficiența răcirii.
- Dacă urmează să nu utilizați răcitorul de vinuri pentru o perioadă îndelungată, se recomandă să îl opriți, să îl curățați cu atenție și să lăsați ușa deschisă pentru aerisire.
- Tabelul de mai jos prezintă temperaturile recomandate pentru depozitarea și servirea vinului:

Vin roșu	15-18°C
Vin alb	9-14°C
Vin rosé	10-11°C
Șampanie și vin spumant	5- 8°C



1. Temperatura prestabilită în fabrică pentru acest produs este de 12°C; setați temperatura potrivită în funcție de tipul de vin depozitat.
2. Temperatura de răcire poate fi setată între 5 și 20°C.
3. Dacă apar defecțiuni ale sistemului și se activează un sunet de avertizare, puteți opri sunetul de avertizare apăsând pe orice buton de pe panoul de comandă.

7. CURĂȚARE ȘI ÎNTREȚINERE

Curățarea

- Deconectați aparatul de la sursa de alimentare cu energie electrică înainte de efectuarea operațiilor de curățare.
- Curățați aparatul folosind o lavetă moale sau un burete umezit cu apă.
- Nu utilizați solvenți organici, detergenți alcalini, apă clocotită, detergenți pulbere sau lichide acide etc.
- Nu spălați compartimentul aparatului prin clătire cu apă.

- Curățați periodic sistemele de scurgere ale aparatului.
Următoarele produse pot deteriora suprafața răcitorului de vinuri:



Detergenți alcalini

Solvenți organici

Bureți abrazivi

Apă clocotită

În caz de întrerupere a alimentării cu energie electrică

Majoritatea întreruperilor alimentării cu energie electrică se remediază în scurt timp. Pentru a proteja vinurile în timpul unei întreruperi a alimentării cu energie electrică, evitați pe cât posibil deschiderea ușii. În cazul întreruperilor foarte lungi, luați măsurile necesare pentru a vă proteja vinurile.



Dacă aparatul a fost deconectat de la sursa de alimentare sau a avut loc o întrerupere a alimentării cu energie electrică, trebuie să așteptați cel puțin cinci minute înainte de a-l pune din nou în funcțiune.

În caz de neutilizare pentru perioade îndelungate

Scoateți toate sticlele din aparat, opriți-l, decongeleți-l, curățați-l, ștergeți-l bine și lăsați-i ușa deschisă, pentru a preveni formarea mușchiului în interiorul acestuia.

Deplasarea aparatului

Opriti alimentarea cu energie electrică și deconectați aparatul de la sursa de alimentare cu energie electrică. Scoateți toate sticlele din aparat.

Când deplasați aparatul, nu îl înclinați la un unghi mai mare de 45°.

8. REMEDIEREA PROBLEMELOR

Problemă	Soluție
Aparatul produce mult zgomot.	Reglați picioarele frontale, pentru a menține aparatul în poziție orizontală. Lăsați un spațiu între aparat și pereți.
Se aude un lichid curgând în interiorul carcasei.	Este normal, deoarece agentul frigorific circulă în interiorul aparatului.
Aparatul nu pornește.	Asigurați-vă că aparatul este conectat corect la sursa de alimentare. Asigurați-vă că alimentarea cu energie electrică este pornită. Compresorul repornește după 5 minute în cazul unei întreruperi a alimentării cu energie electrică.
Compresorul funcționează continuu.	Dacă aparatul nu răcește, contactați serviciul de asistență tehnică.
Ușile nu se închid etanș.	După o perioadă lungă de utilizare, garnitura ușii se poate rigidiza sau deforma parțial. 3. Încălziți garnitura cu un uscător de păr sau cu un prosop fierbinte. 4. Garnitura se va înmuia și ușa se va închide corect.
Aparatul nu răcește suficient.	Modificați valoarea temperaturii setate. Feriți aparatul de lumina directă a soarelui și de surse de căldură. Vă rugăm să nu deschideți ușa frecvent.

Se formează mirosuri neplăcute în interiorul aparatului.	Un miros ușor de plastic la aparatele nou achiziționate este normal și va dispărea după scurt timp. Curățați compartimentul și lăsați-l să se aerisească pentru câteva ore.
Se formează condens pe ușa de sticlă.	Vă rugăm să nu deschideți ușa frecvent sau pentru perioade lungi. Nu setați o temperatură prea scăzută. Temperatura și umiditatea ambientală ridicată pot cauza apariția condensului.
Lumina nu funcționează.	Verificați mai întâi sursa de alimentare cu energie electrică. Dacă becul este defect, contactați serviciul de asistență tehnică.

Cod de eroare:

În cazul în care intervin defecțiuni ale senzorului de temperatură, pe afișaj va apărea un cod de eroare: E1 pentru circuit deschis; E2 pentru scurtcircuit

SERVICE ȘI ASISTENȚĂ PENTRU CLIEȚI

Utilizați numai piese de schimb originale.

Când contactați centrul nostru de service autorizat, asigurați-vă că aveți la îndemână următoarele informații: Denumirea modelului și numărul de serie.

Informațiile pot fi găsite pe plăcuța cu date tehnice. Acestea pot suferi modificări fără o notificare prealabilă.

DATE TEHNICE

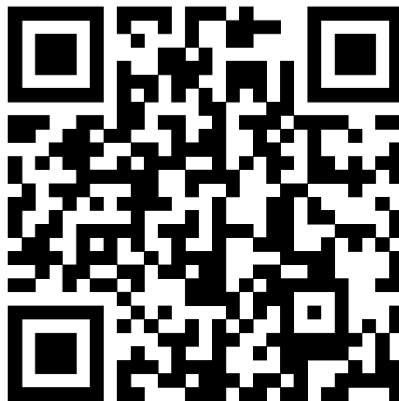
Informațiile tehnice se află pe plăcuța cu date tehnice din interiorul aparatului și pe eticheta energetică.

Codul QR de pe eticheta energetică furnizată împreună cu aparatul oferă un link web către informațiile din baza de date EPREL cu privire la performanțele aparatului.

Păstrați eticheta energetică pentru consultări ulterioare, împreună cu manualul de utilizare și cu toate celelalte documente furnizate împreună cu acest aparat.

De asemenea, puteți găsi aceleași informații în baza de date EPREL, folosind link-ul <https://eprel.ec.europa.eu> și denumirea modelului și numărul de serie al produsului, pe care le găsiți pe plăcuța cu date tehnice a aparatului.

Pentru a accesa informații despre produsul dumneavoastră în portalul EPREL, puteți scana codurile de mai jos:



Vă mulțumim pentru achiziționarea acestui produs! Dacă aveți nevoie de asistență în ceea ce privește produsul dumneavoastră, vizitați site-ul nostru web utilizând linkurile de mai jos.

Obțineți manuale de utilizare: <https://www.heinner.ro>

Obțineți informații privind reparațiile: <https://www.heinner.ro>

**Eliminarea deșeurilor în mod responsabil față de mediu**

Puteți ajuta la protejarea mediului!

Va rugăm să respectați reglementările locale, prin predarea echipamentelor electrice nefuncționale unui centru de colectare a echipamentelor electrice uzate.



HEINNER este marcă înregistrată a companiei **Network One Distribution SRL**. Celelalte branduri și denumirile produselor sunt mărci de comerț sau mărci de comerț înregistrate ale respectivilor deținători.

Nicio parte a specificațiilor nu poate fi reprodusă sub nicio formă și prin niciun mijloc, nici utilizată pentru obținerea unor derivate precum traduceri, transformări sau adaptări, fără consimțământul prealabil al companiei NETWORK ONE DISTRIBUTION.

Copyright © 2013 Network One Distribution. Toate drepturile rezervate.

www.heinner.com, <http://www.nod.ro>



Acest produs este proiectat și realizat în conformitate cu standardele și normele Comunității Europene.



Importator: **Network One Distribution**

Str. Marcel Iancu, nr. 3-5, București, România

Tel: +40 21 211 18 56, www.heinner.com , www.nod.ro

ОХЛАДИТЕЛ ЗА ВИНО

Модел: HRV-A52DRM18



- Брой бутилки: 18
- Енергиен клас: G

HEINNER

1. ВЪВЕДЕНИЕ

Моля, прочетете внимателно инструкциите и запазете ръководството за бъдеща информация. Настоящото ръководство е предназначено да даде всички необходими инструкции относно монтажа, използването и поддръжката на уреда. За да работите с уреда правилно и безопасно, моля, прочетете внимателно това ръководство за употреба преди монтажа и използването му.

2. СЪДЪРЖАНИЕ НА ОПАКОВКАТА

- ➔ Охладител за вино
- ➔ Ръководство за употреба
- ➔ Гаранционен сертификат

3. ПРЕДУПРЕЖДЕНИЯ ЗА БЕЗОПАСНОСТ

Предупреждение



Риск от пожар/запалими материали

- Вашата безопасност е от първостепенно значение за нашата компания. Моля, уверете се, че сте прочели тази книжка с инструкции, преди да се опитате да инсталирате или използвате уреда. Ако не сте сигурни в някоя от информациите, съдържащи се в тази брошура, моля, свържете се с техническия отдел.
- Този уред може да се използва от деца на възраст от 8 години нагоре и от хора с намалени физически, сетивни или умствени способности или с липса на опит и познания, ако са получили надзор или инструкции относно използването на уреда по безопасен начин и разбират свързаните с него опасности. Децата не трябва да си играят с уреда. Почистването и потребителската поддръжка не трябва да се извършват от деца без надзор.
- На деца на възраст от 3 до 8 години не се разрешава да зареждат и разтоварват хладилни уреди. Децата трябва да бъдат наблюдавани, за да се гарантира, че не си играят с уреда.
- Този уред е предназначен САМО ЗА УПОТРЕБА В ДОМА, а не за търговска или промишлена употреба.
- **Предупреждение:** Поддържайте вентилационните отвори в корпуса на уреда или вградената конструкция свободни от препятствия.
- **Предупреждение:** Не използвайте механични устройства или други средства за ускоряване на процеса на размразяване, различни от препоръчаните от производителя.
- **Предупреждение:** Не повреждайте електрическата верига на хладилника.
- **Предупреждение:** Не използвайте електрически уреди в отделенията за съхранение на уреда, освен ако не са от типа, препоръчан от производителя.
- **Предупреждение:** Уверете се, че уредът е свързан към електрозахранването в съответствие с етикета за номинална мощност.
- **Предупреждение:** Използвайте независим заземен контакт с 10А или по-висок ток, не го свързвайте към трансформатор или контакт с множество контакти.
- **Предупреждение:** Уверете се, че контактът е правилно заземен и не променяйте хранващия кабел и щепсела.

- **Предупреждение:** Свържете здраво щепсела с контакта в случай на възможен риск от пожар.
- **Предупреждение:** Щепселите трябва да са на една ръка разстояние за лесно изключване след позициониране на уреда в случай на възникнали инциденти.
- **Предупреждение:** Не съхранявайте и не изгаряйте бензин или други запалителни вещества в близост до уреда в случай на възможен пожар.
- **Предупреждение:** Не съхранявайте запалими експлозивни, киселинни и алкални течности и др. в отделението на уреда.
- **Предупреждение:** Не използвайте други уреди в отделението.
- **Предупреждение:** Уредът е проектиран да стои самостоятелно на пода и не може да се вгражда под плота.

Безопасност за деца

- Не позволявайте на деца да играят вътре в уреда в случай на заклещване.
- Не позволявайте на децата да висят на вратата, за да играят, в случай че паднат от уреда.
- Не позволявайте на дете да достига до отделението на компресора или да докосва метални компоненти в задната част на уреда в случай на възможно нараняване.

Пазете далеч от вода

- Не пръскайте вода върху уреда и не мийте уреда чрез изливане или пълнене на вода в случай на невалидна изолация и възможен токов удар.

Внимавайте за замръзване

- Не докосвайте повърхността на облицовката във вътрешността на отделението, особено с мокра ръка, в случай на нараняване от замръзване, докато уредът работи.

Не отваряйте вратата за дълъг период от време

- Отварянето на вратата за дълги периоди от време може да доведе до значително повишаване на температурата в отделенията на уреда.

Не се разрешава модифициране на уреда

- Не преустройвайте уреда сами, което може да доведе до повреда на уреда.

Изключете уреда от електрическата мрежа при определени условия

- Изключете уреда от електрическата мрежа преди почистване и поддръжка.
- Изключете уреда от електрическата мрежа при прекъсване на електрозахранването.

Изхвърляне на уреда

- Моля, съобразете се с местните разпоредби относно изхвърлянето на уреда заради неговия запалим хладилен агент и издухващ се газ.
- Преди да бракувате уреда, моля, свалете вратите, за да предотвратите попадането на деца в капана.
- Изпратете уреда на определеното място за изхвърляне.

Предупреждения, свързани с електричеството

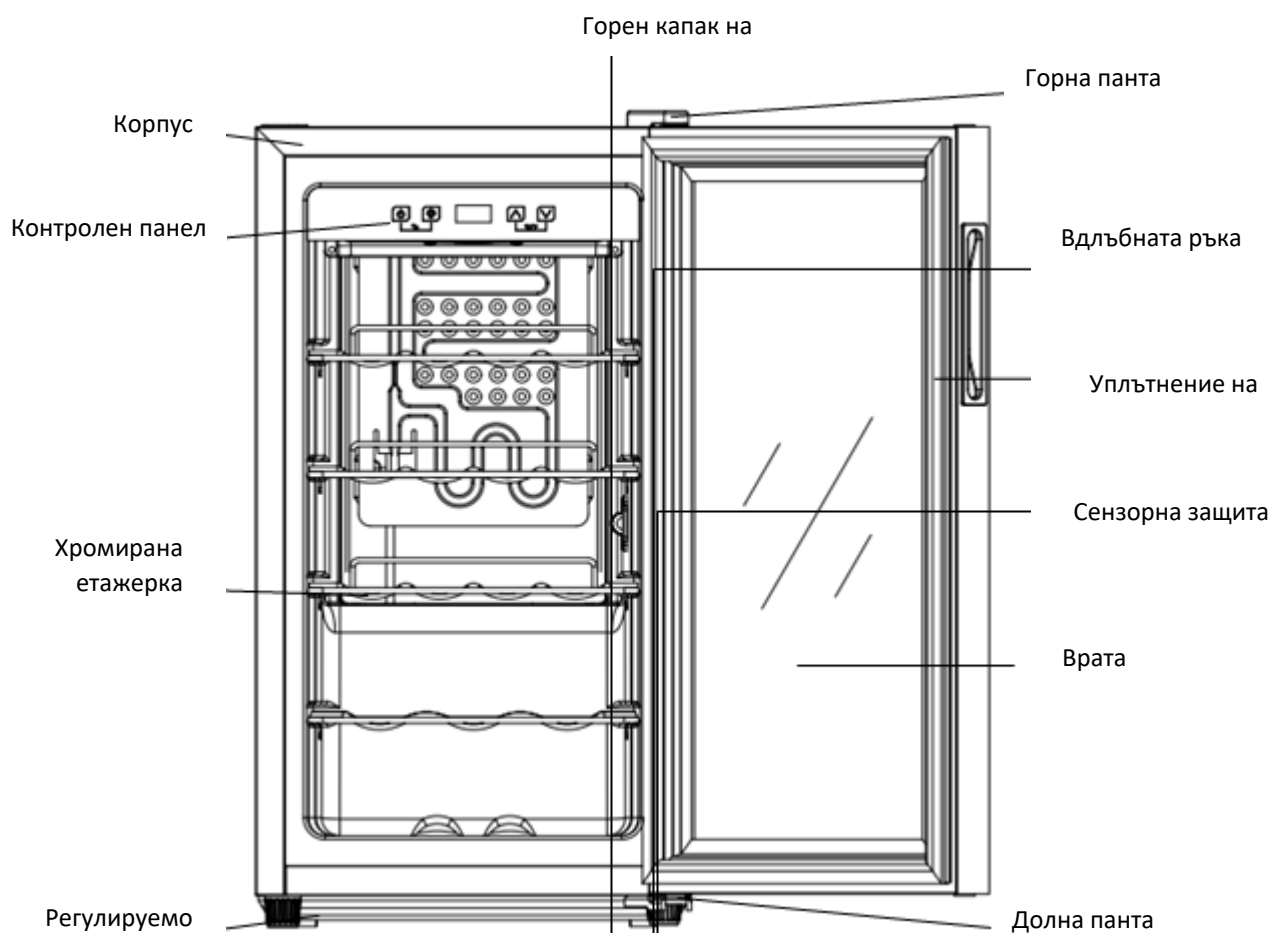
Не повреждайте захранващия кабел

- Не изключвайте уреда чрез издърпване на захранващия кабел, а не чрез издърпване на щепсела.
- Не поставяйте уреда над захранващия кабел и не стъпвайте умишлено върху кабела.
- Поставете захранващия кабел на правилното място, когато премествате уреда.

Когато захранващият кабел е повреден

- Не използвайте повреден захранващ кабел и незабавно го подменете от сервизния агент на производителя или от квалифициран електротехник.
- Ако е необходимо, удължете захранващия кабел с кабел от 0,75 мм² или по-голям от квалифициран електротехник.






4. ОПИСАНИЕ НА ПРОДУКТА



Горната снимка е само за справка. Действителната конфигурация зависи от физическия продукт или от изявлението на дистрибутора.

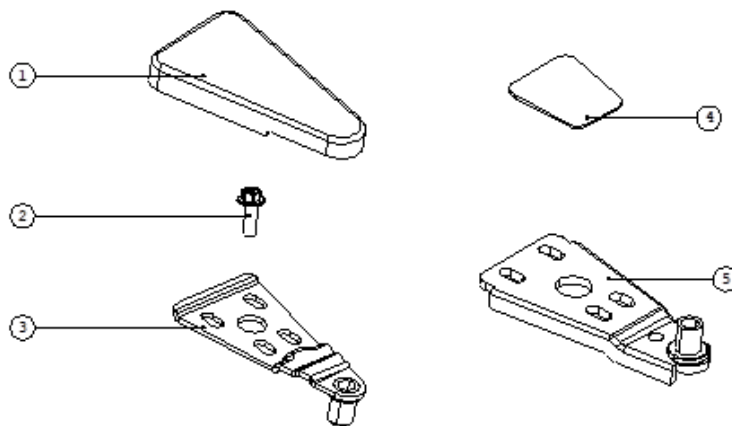
5. ИНСТАЛИРАНЕ

Позиция

-  Не наклоняйте уреда на повече от 45°, когато го премествате в позиция.
 -  Уредът трябва да бъде поставен върху плосък, твърд и сух под или подобна негорима подложка; не използвайте подложката от пенопласт от опаковката.
 -  Не поставяйте уреда на влажно място.
 -  Не използвайте уреда на замръзнало място.
- Не използвайте уреда на открито в случай на слънчева светлина или дъжд.
-  Уредът трябва да се постави с 10 см по-широко пространство наоколо за добра вентилация; нормално е корпусът на шкафа да се нагрива, когато работи.
- Бутилките с вино могат да се съхраняват, когато почувствате охлаждане вътре, след като уредът работи около 1 час.

Обръщане на вратата

1. Части за обръщане на вратата

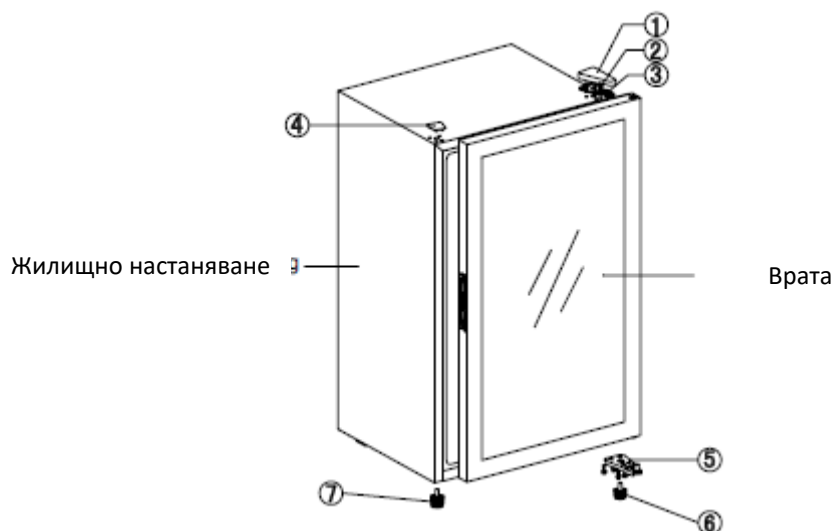


1. Капак на пантата на вратата
2. Винт за фланец
3. Панта на вратата
4. Капак
5. Долна панта на вратата

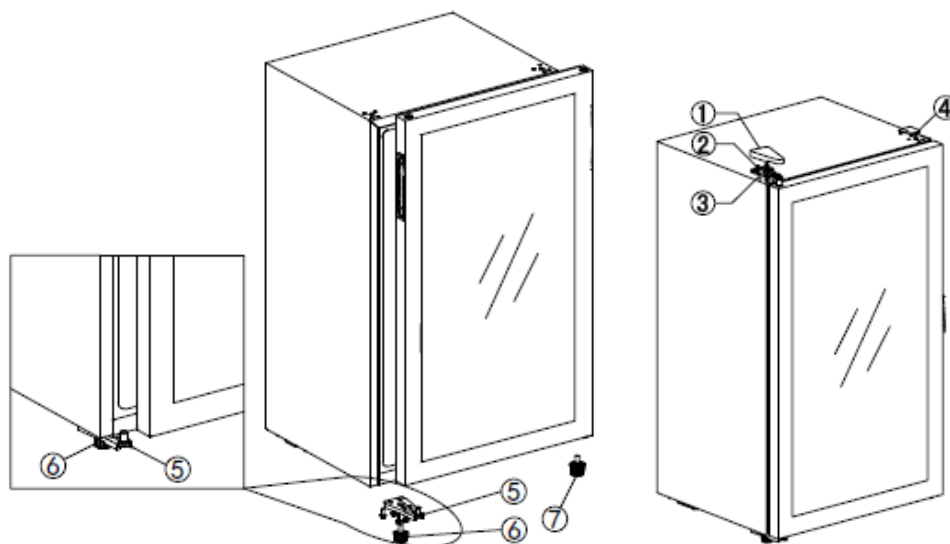
2. Обръщане на вратата

Нашите охладители за вино се доставят с врата, която се отваря отляво надясно. За да обърнете посоката на отваряне:

- 1) Затворете вратата.
- 2) Свалете капака на пантата на вратата (1) в горния десен ъгъл; Отвийте винтовете на фланеца (2); Свалете пантата на вратата (3); Свалете капака на горната лява страна (4).
- 3) Повдигнете вратата нагоре, докато вратата се отлепи от долната панта на вратата (5).
- 4) Отвийте долната панта на вратата. Отстранете късото краче на шкафа (6) и височинното краче на шкафа (7).



5) Монтирайте долната панта на вратата (5) в долния ляв ъгъл; Монтирайте късото краче на шкафа (6) и височинното краче на шкафа (7). Поставете вратата отгоре и я поставете в долната панта на вратата.
 6) Монтирайте пантата на вратата (3) към горния ляв ъгъл и завийте винтовете на фланеца (2); Поставете капачката на пантата на вратата (1); Поставете капачката към горната дясна страна (4).



6. РАБОТА

Започване на работа

1. Почистяване на отделението

Преди да включите захранването, почистете вътрешността на уреда и проверете дали дренажната тръба е добре свързана.

2. Поставете уреда все още

Преди да включите захранването, изравнете уреда върху твърд и сух под за поне 3 часа.

3. Включване на захранването

Уредът започва да работи и след 1 час ще се охлади отвътре, в противен случай трябва да проверите захранващата връзка.

Панел за управление



Всички ключове ще бъдат невалидни в режим на заключване. Моля, първо отключете.



ВКЛЮЧВАНЕ/ИЗКЛЮЧВАНЕ

- задръжте натиснат клавиша за 3 секунди, изключете захранването и преинете в режим на готовност.
- задръжте отново натиснат клавиша за 3 секунди, за да се върнете към нормална работа.



Светлина

Натиснете ключа, включете или изключете светодиодните светлини вътре. В режим на готовност ключът е невалиден.



НАГОРЕ

Натиснете клавиша веднъж, светодиодният дисплей в редовна мигаща светлина показва текущата зададена температура. Продължете да натискате, за да регулирате зададената температура, едно натискане увеличава 1°C . Редовното мигане се прекратява след 5 секунди, когато не е установено натискане и новата зададена температура е запаметена. Светодиодният дисплей се връща към показване на действителната температура вътре в помещението.



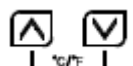
Надолу

Натиснете клавиша веднъж, светодиодният дисплей в редовна мигаща светлина показва текущата зададена температура. Продължете да натискате, за да регулирате зададената температура, едно натискане намалява 1°C . Редовното мигане се прекратява след 5 секунди, като не се открива натискане и запамятаване на нова зададена температура. Светодиодният дисплей се връща към показване на действителната температура вътре.



Заключване за деца (комбиниран ключ)

- заключване : Натиснете двата клавиша едновременно за 3 секунди, за да заключите.
- Отключване : Натиснете едновременно и двата клавиша за 3 секунди, за да отключите.



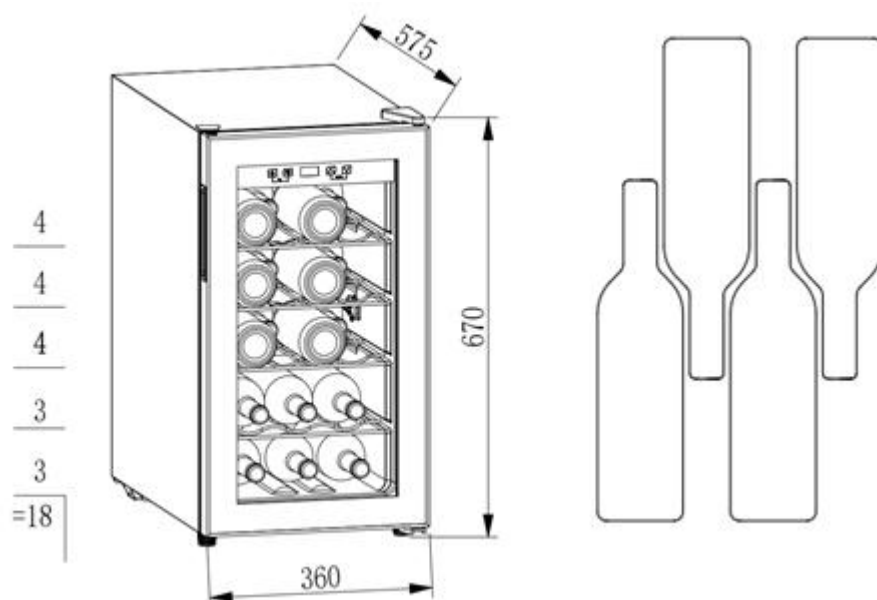
Смяна на дисплея по Фаренхайт/Целзий

Превключете температурния дисплей между Фаренхайт и Целзий, като натиснете двата клавиша едновременно за 2 секунди.

Съхранение на вино

Уредът е оборудван с достатъчно рафтове, за да може колекцията ви от вина да отлежава тихо и спокойно.

4 хромирани рафта Капацитет на зареждане: 18 бутилки. (Стандартна бутилка "Бордо" с вместимост 750 ml)



- Капацитетът на зареждане ще варира при различни начини на подреждане на бутилките или различни размери на бутилките.
- Всеки рафт е предназначен за поставяне на 1 или 2 слоя бутилки с вино. Не се препоръчва подреждането на повече от 2 слоя бутилки на един рафт.
- Всеки рафт може да се издърпа частично, за да се съхраняват лесно бутилките с вино.
- Преди да извадите рафтовете, отворете вратата достатъчно право.
- Рафтът трябва да се избягва пред вентилатора, доколкото е възможно, за да се избегне блокиране на входа на въздуха и да се повлияе на ефективността на охлаждането.
- Ако охладителят за вино не е бил натоварван дълго време, се препоръчва да го изключите, да го почистите внимателно и да отворите вратата за проветряване.
- В таблицата по-долу е представена препоръчителната температура за съхранение и пиене на вино:

Червено вино	15-18°C
Бяло вино	9-14°C
Розово вино	10-11°C
Шампанско и пенливо вино	5- 8°C



1. Температурата от завода на този продукт е 12°C , а съответният температурен диапазон трябва да се определи според действителното вино.
2. Температурата на охлаждане може да бъде настроена от 5 до 20 .°C
3. Алармен звук: когато възникнат неизправности в системата и се включи алармен звук, натиснете който и да е клавиш на контролния панел, за да отмените алармения звук.

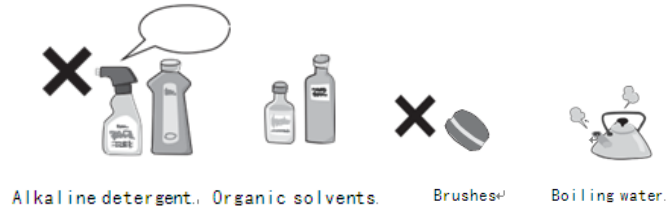
7. ПОДДРЪЖКА И ПОЧИСТВАНЕ

Почистване

- Преди почистване изключете уреда от електрическата мрежа.
- Почистете уреда с мека кърпа или гъба с вода.
- Не използвайте органични разтворители, алкални почистващи препарати, вряла вода, прах за пране или киселинна течност и др.

- Не изплаквайте отделението на уреда.
- Почиствайте редовно повърхностите, които могат да влязат в контакт с достъпни дренажни системи.

Посочените по-долу предмети ще повредят повърхността на охладителя за вино:



Прекъсване на електрозахранването

Повечето прекъсвания на електрозахранването могат да бъдат отстранени в рамките на кратко време. За да предпазите вината си по време на прекъсване на електрозахранването, избягвайте да отваряте вратата колкото е възможно повече. При много дълги прекъсвания на електрозахранването вземете необходимите мерки за защита на вината си.

Прекъсване на работата за дълго време

Извадете всички бутилки от уреда, изключете го, размразете, почистете, подсушете и оставете вратата отворена, за да предотвратите появата на мухъл в уреда.



Ако уредът е изключен или ако има прекъсване на електрозахранването, трябва да изчакате поне пет минути, преди да отново да го стартирате.

Изключен от експлоатация за дълго време

Извадете всички бутилки от уреда, изключете го, размразете, почистете, подсушете и оставете вратата отворена, за да предотвратите появата на мухъл в уреда.

Преместване на уреда

Прекъснете електрозахранването и изключете уреда от електрическата мрежа.

Извадете всички бутилки от уреда.

Когато премествате уреда, не го наклоняйте на повече от 45°.

8. ОТСТРАНЯВАНЕ НА НЕИЗПРАВНОСТИ

Проблем	Решение
Уредът издава много шум?	Моля, регулирайте предния крак, за да поддържате уреда в хоризонтално положение. Моля, дръжте уреда на малко разстояние от стените.
Звук от течаща течност в шкафа?	Това е нормално поради работата на хладилния агент вътре.
Уредът не се стартира?	Уверете се, че уредът е свързан правилно към електрическата мрежа. Уверете се, че сте включили захранването. При прекъсване на електрозахранването компресорът се стартира отново след 5 минути.
Компресорът работи непрекъснато?	Ако не се произвежда студ, обадете се на следпродажбения сервиз на търговеца на дребно.
Вратите не се затварят плътно?	След продължителна употреба уплътнението на вратата може да стане твърдо и да се изкриви частично. 5. Загрейте уплътнението на вратата с вентилатор с горещ вятър или с гореща кърпа. 6. Уплътнението на вратата се омекотява и затваря вратата.
Уредът не се охлажда достатъчно?	Моля, регулирайте настройката на температурата. Пазете уреда от слънчева светлина или топлина. Моля, не отваряйте често вратата.
Неприятни миризми в шкафа?	Малко миризма на пластмаса за новозакупените уреди е нормална и ще изчезне след кратко време. Почистете отделението и го проветрете за няколко часа.
Кондензат върху стъклената врата?	Моля, не отваряйте вратата често или за дълго време. Моля, не настройвайте твърде ниска температура. Високата температура и влажност на околната среда биха причинили конденз.
Светлината не работи?	Първо проверете захранването. Обадете се на следпродажбения сервиз на търговеца, ако светлината е повредена.

Код за грешка:

Когато се появят повреди в температурния сензор, се извежда код за грешка:
E1 за отворена верига. / E2 за късо съединение.

ГРИЖА ЗА КЛИЕНТА И ОБСЛУЖВАНЕ

Винаги използвайте оригинални резервни части.

Когато се свързвате с нашия оторизиран сервизен център, уверете се, че разполагате със следните данни: Модел и сериен номер.

Информацията може да бъде намерена на табелката с данни за мощност. Може да бъде променена без предизвестие.

ТЕХНИЧЕСКИ ДАННИ

Техническата информация е разположена в табелката с номиналните параметри от вътрешната страна на уреда и върху енергийния етикет.

QR кодът върху енергийния етикет, предоставен с уреда, предоставя уеб връзка към информацията, свързана с експлоатационните характеристики на уреда, в базата данни на ЕС EPREL.

Съхранявайте енергийния етикет за справка заедно с ръководството за потребителя и всички други документи, предоставени с този уред.

Същата информация може да се намери и в EPREL, като се използва връзката <https://eprel.ec.europa.eu> и името на модела и продуктивния номер, които се намират на табелката с номиналните параметри на уреда.

За да получите достъп до информацията за вашия продукт в портала EPREL, можете да сканирате кодовете по-долу:



Благодарим ви, че закупихте този продукт. Ако се нуждаете от поддръжка за вашия продукт, посетете нашия уебсайт, като използвате връзките по-долу.

Получаване на ръководства за потребителя: <https://www.heinner.ro>

Получете информация за сервиз: <https://www.heinner.ro>



Екологично изхвърляне

Вие можете да помогнете за опазването на околната среда!

Моля, не забравяйте да спазвате местните разпоредби: предайте неработещото електрическо оборудване в подходящ център за изхвърляне на отпадъци.



HEINNER е регистрирана търговска марка на **Network One Distribution SRL**. Други марки и имена на продукти са търговски марки или регистрирани търговски марки на съответните им притежатели.

Никаква част от спецификациите не може да бъде възпроизвеждана под каквато и да е форма или по какъвто и да е начин, нито да бъде използвана за създаване на производни, като например превод, трансформация или адаптация, без разрешение от NETWORK ONE DISTRIBUTION.

Copyright © 2013 Network One Distribution. Всички права запазени.

www.heinner.com, <http://www.nod.ro>



Този продукт е в съответствие с нормите и стандартите на Европейската общност



Вносител: **Network One Distribution**

Marcel Iancu Street, 3-5, Букурещ, Румъния

Телефон: +40 21 211 18 56, www.heinner.com, www.nod.ro

BORHŰTŐ

Modell: HRV-A52DRM18



- Palackok száma: 18
- Energetikai osztály: G

HEINNER

1. BEVEZETÉS

Kérjük, olvassa el figyelmesen az utasításokat, és őrizze meg a kézikönyvet a későbbi tájékoztatáshoz. Ez a kézikönyv a készülék telepítésére, használatára és karbantartására vonatkozó összes szükséges utasítást tartalmazza. A készülék helyes és biztonságos működtetése érdekében kérjük, hogy a telepítés és használat előtt figyelmesen olvassa el ezt a használati útmutatót.

2. A CSOMAG TARTALMA

- ➔ **Borhűtő**
- ➔ **Felhasználói kézikönyv**
- ➔ **Jótállási igazolás**

3. BIZTONSÁGI FIGYELMEZTETÉSEK

Figyelmeztetés



Tűzveszély/gyúlékony anyagok

- Cégünk számára az Ön biztonsága a legfontosabb. Kérjük, győződjön meg róla, hogy elolvasta ezt a használati útmutatót, mielőtt megpróbálná a készüléket üzembe helyezni vagy használni. Ha bizonytalan a jelen füzetben szereplő bármely információval kapcsolatban, kérjük, forduljon a műszaki osztályhoz.
- Ezt a készüléket 8 éves kortól és idősebb gyermekek, valamint csökkent fizikai, érzékszervi vagy szellemi képességekkel rendelkező, illetve tapasztalat és ismeretek hiányában lévő személyek is használhatják, ha felügyeletet vagy utasítást kaptak a készülék biztonságos használatára vonatkozóan, és megértették az ezzel járó veszélyeket. A gyermekek nem játszhatnak a készülékkel. A tisztítást és a felhasználói karbantartást gyermekek felügyelet nélkül nem végezhetik.
- A 3 és 8 év közötti gyermekek nem rakodhatnak be és ki hűtőgépeket. A gyermekeket felügyelni kell, hogy ne játsszanak a készülékkel.
- Ez a készülék **KIZÁRÓLAG HÁZI HASZNÁLATRA**, és nem kereskedelmi vagy ipari használatra készült.
- **Figyelmeztetés:** A készülékházban vagy a beépített szerkezetben lévő szellőzőnyílásokat tartsa szabadon.
- **Figyelmeztetés:** Ne használjon a leolvasztási folyamat felgyorsítására a gyártó által javasoltaktól eltérő mechanikus eszközöket vagy más eszközöket.
- **Figyelmeztetés:** Ne károsítsa a hűtőszekrény áramkörét.
- **Figyelmeztetés:** Ne használjon elektromos készülékeket a készülék tárolórekeszeiben, kivéve, ha azok a gyártó által ajánlott típusúak.
- **Figyelmeztetés:** Győződjön meg arról, hogy a készüléket a teljesítménycímkének megfelelően csatlakoztatta az áramellátáshoz.
- **Figyelmeztetés:** Használjon független, földelt, 10A vagy annál nagyobb teljesítményű aljzatot, ne csatlakoztassa transzformátorhoz vagy több konnectorral rendelkező aljzathoz.
- **Figyelmeztetés:** Győződjön meg róla, hogy a konnector megfelelően földelt, és ne módosítsa a tápkábelt és a dugót.
- **Figyelmeztetés:** Az esetleges tűzveszély esetén a hálózati csatlakozót szilárdan csatlakoztassa a konnectorhoz.
- **Figyelmeztetés:** A dugóknak elérhető közelségben kell lenniük, hogy a készülék elhelyezése után könnyen kihúzhatóak legyenek, ha baleset történik.

- **Figyelmeztetés:** Ne tároljon vagy égessen benzint vagy más gyúlékony anyagot a készülék közelében, esetleges tűzveszély esetén.
- **Figyelmeztetés:** Ne tároljon gyúlékony robbanóanyagokat, savas és lúgos folyadékokat stb. a készülék rekeszében.
- **Figyelmeztetés:** Ne működtessen más készülékeket a rekeszben.
- **Figyelmeztetés:** A készüléket úgy tervezték, hogy egyedül álljon a padlón, és nem építhető be a pult alá.

Gyermekbiztonság

- Ne engedje, hogy gyermekek a készülék belsejében játszanak, mert fennáll a beszorulás veszélye.
- Ne engedje, hogy a gyermekek az ajtón lógva játszanak a készülékről való leesés veszélye miatt.
- Ne engedje, hogy a gyermek benyúljon a kompresszor rekeszébe, vagy megérintse a készülék hátulján lévő fém alkatrészeket, lehetséges sérülés esetén.

Tartsa távol a víztől

- Ne permetezzen vizet a készülékre, és ne mossa a készüléket vízzel való leöntéssel vagy vízzel való feltöltéssel, érvénytelen szigetelés és esetleges áramütés esetén.

Óvakodjon a fagyástól

- Ne érintse meg a rekesz belsejében lévő bélés felületét, különösen ne nedves kézzel, mert a készülék működése közben fagyási sérülést okozhat.

Ne nyissa ki az ajtót hosszú időre

- Az ajtó hosszú időre történő kinyitása a készülék rekeszeinek hőmérsékletének jelentős emelkedését okozhatja.

A készülék módosítása nem megengedett

- Ne építse át saját maga a készüléket, ami a készülék károsodását okozhatja.

Bizonyos körülmények között húzza ki a készüléket a hálózatról

- Tisztítás és karbantartás előtt húzza ki a készüléket a hálózatról.
- Húzza ki a készüléket, ha áramkimaradás történt.

A készülék ártalmatlanítása

- Kérjük, hogy a készülék ártalmatlanítására vonatkozó helyi előírásoknak megfelelően gondoskodjon a készülék gyúlékony hűtőközegéről és fűvógázáról.
- Mielőtt leselejtezi a készüléket, kérjük, vegye le az ajtókat, hogy megakadályozza a gyermekek beszorulását.
- Küldje a készüléket a kijelölt ártalmatlanítási helyre.

Elektromossággal kapcsolatos figyelmeztetések

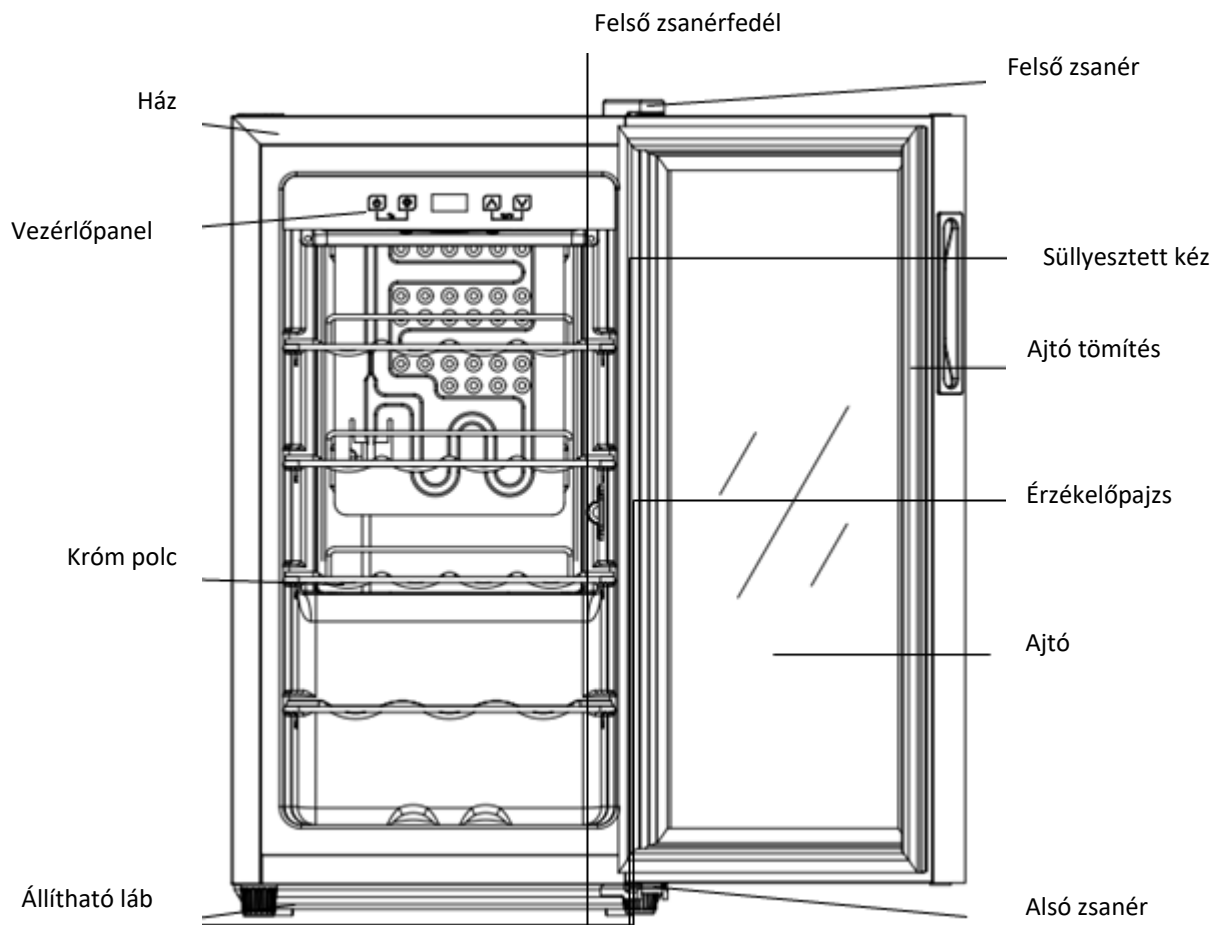
Ne sértse meg a hálózati kábelt

- Ne húzza ki a készüléket a tápkábel meghúzása helyett a dugó kihúzásával.
- Ne állítsa a készüléket a tápkábel fölé, és ne lépjen rá szándékosan a vezetékre.
- A készülék mozgatásakor helyezze a tápkábelt a megfelelő helyre.

Ha a tápkábel megsérült

- Ne használja a sérült tápkábelt, és azonnal cseréltesse ki a gyártó szervizzel vagy szakképzett villanyszerelővel.
- Szükség esetén hosszabbítsa meg a tápkábelt 0,75 mm² vagy nagyobb méretű kábellel szakképzett villanyszerelő által.

4. TERMÉKLEÍRÁS



A fenti kép csak tájékoztató jellegű. A tényleges konfiguráció a fizikai terméktől vagy a forgalmazó nyilatkozatától függ.

5. BEÁLLÍTÁS

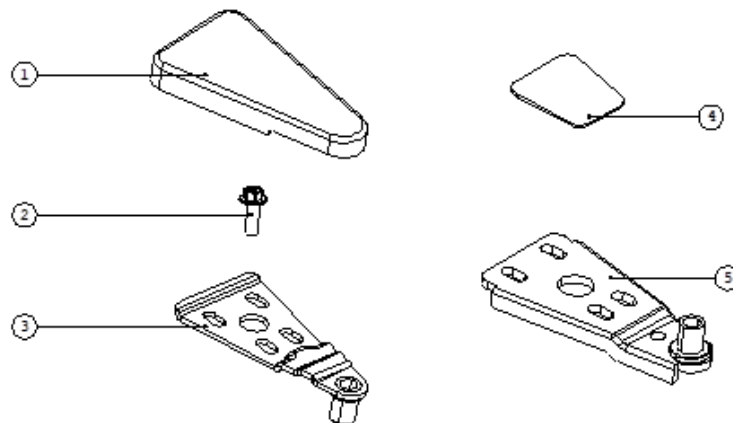
Pozíció

- ⚠ Ne döntse a készüléket 45°-nál jobban, amikor a helyére állítja.
- ⚠ A készüléket sima, szilárd és száraz padlóra vagy hasonló, nem éghető alátétre kell helyezni; ne használja a csomagban található habszivacs alátétet.
- ⚠ Ne tegye a készüléket nedves helyre.
- ⚠ Ne használja a készüléket fagyott helyen.
Ne használja a készüléket kültéren napfény vagy eső esetén.
- ⚠ A készüléket úgy kell elhelyezni, hogy körülötte 10 cm-rel szélesebb hely legyen a jó szellőzés érdekében; normális, hogy a készülékház működése közben felmelegszik.

A borosüvegeket akkor lehet tárolni, ha a készülék működése után kb. 1 órával belül hűlést érez.

Ajtó visszafordítása

1. Az ajtó megfordításához szükséges alkatrészek

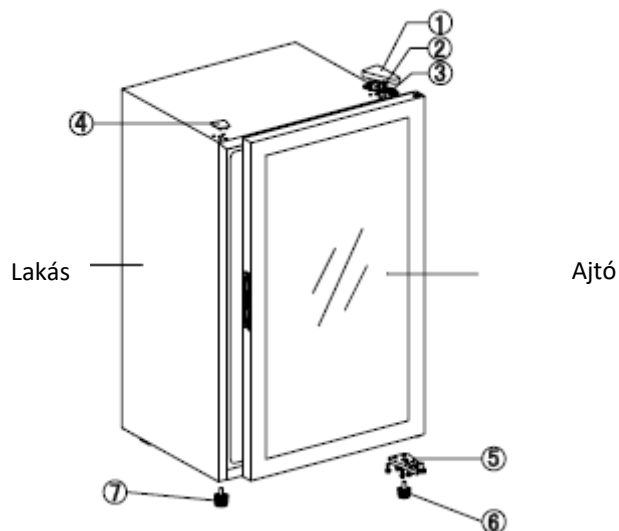


1. Ajtó zsanérfedél
2. Karimacsavar
3. Ajtó zsanér
4. Sapka
5. Alsó ajtópánt

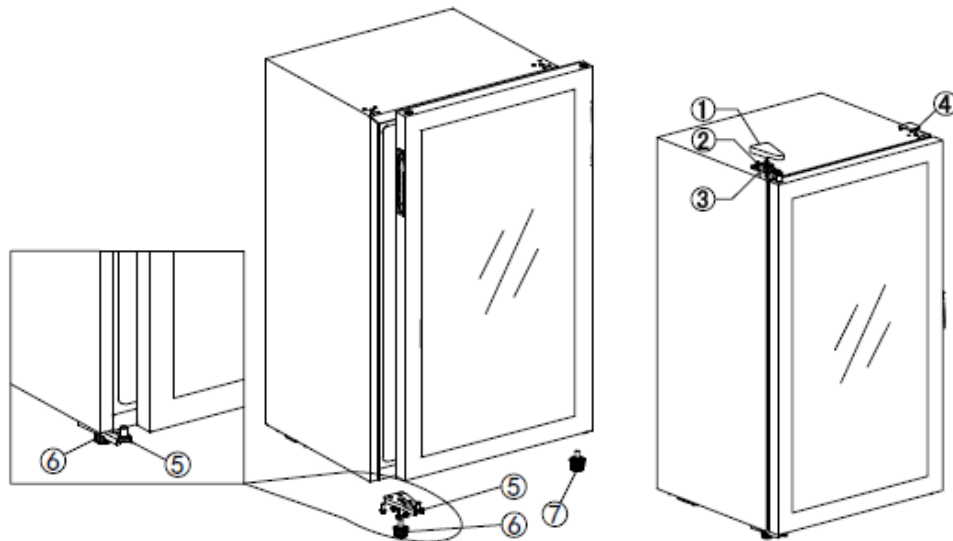
2. Az ajtó megfordítása

Borhűtőinket balról jobbra nyíló ajtóval szállítjuk. A nyitási irány megfordításához:

- 1) Csukja be az ajtót.
- 2) Vegye le az ajtópánt fedelét (1) a jobb felső sarokban; Csavarja ki a peremcsavarokat (2); Vegye le az ajtópántot (3); Vegye le a bal felső oldali sapkát (4).
- 3) Emelje fel az ajtót, amíg az ajtó le nem kerül az alsó ajtópántról (5).
- 4) Csavarja le az alsó ajtópántot. Vegye le a rövid szekrénylábát (6) és a magas szekrénylábát (7).



- 5) Szerelje fel az alsó ajtópántot (5) a bal alsó sarokba; Szerelje fel a rövid szekrénylábát (6) és a magas szekrénylábát (7). Tegye az ajtót felülre, és illessze be az alsó ajtópántba.
- 6) Illessze az ajtópántot (3) a bal felső sarokba, és csavarja be a peremcsavarokat (2); Tegye fel az ajtópánt fedelet (1); Tegye a kupakot a jobb felső oldalra (4).



6. MŰKÖDÉS

Működés megkezdése

1. A rekesz tisztítása

Bekapcsolás előtt tisztítsa meg a készülék belsejét, és ellenőrizze a lefolyócső jó csatlakozását.

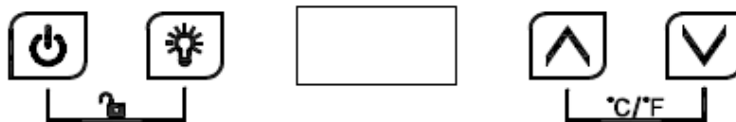
2. Tegye a készüléket még

Mielőtt bekapcsolja a készüléket, legalább 3 órán keresztül egyenesítse ki a készüléket a szilárd és száraz padlón.

3. Kapcsolja be a készüléket

A készülék működésbe lép, és 1 óra múlva lehűl belül, ellenkező esetben ellenőrizze a hálózati csatlakozást.

Vezérlőpanel



Zárolt üzemmódban minden gomb érvénytelen lenne. Kérjük, először oldja fel a reteszelést.



ON/OFF

1. Tartsa lenyomva a gombot 3 másodpercig, kapcsolja ki a készüléket, és lépjen készenléti üzemmódba.
2. Nyomja meg újra a billentyűt 3 másodpercig, hogy visszatérjen a normál működéshez.



Fény

Nyomja meg a billentyűt, kapcsolja be vagy kapcsolja ki a benne lévő LED világítást. Készenléti üzemmódban a billentyű érvénytelen.



UP

Nyomja meg egyszer a gombot, a LED kijelző szabályos villogással mutatja az aktuálisan beállított hőmérsékletet. A beállított hőmérséklet beállításához nyomja tovább a gombot, egy nyomásra nő 1°C . A

rendszeres villogás 5 másodperc után megszűnik, ha nem nyomja meg a gombot, és az új beállított hőmérsékletet elmenti. A LED kijelző visszatér a belső aktuális hőmérséklet megjelenítéséhez.



Lefelé

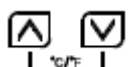
Nyomja meg egyszer a gombot, a LED kijelző szabályos villogással mutatja az aktuálisan beállított hőmérsékletet. A beállított hőmérséklet beállításához nyomja tovább a gombot, egy nyomásra csökken 1°C. A rendszeres villogás 5 másodperc múlva megszűnik, ha nem nyomja meg a gombot, és az új beállított hőmérsékletet elmenti. A LED kijelző visszatér az aktuális belső hőmérséklet megjelenítéséhez.



Gyermekzár (kombinációs kulcs)

1.Lock : Lezáráshoz nyomja meg mindkét billentyűt egyszerre 3 másodpercig.

2.Unlock : Nyomja meg mindkét gombot egyszerre 3 másodpercig a feloldáshoz.

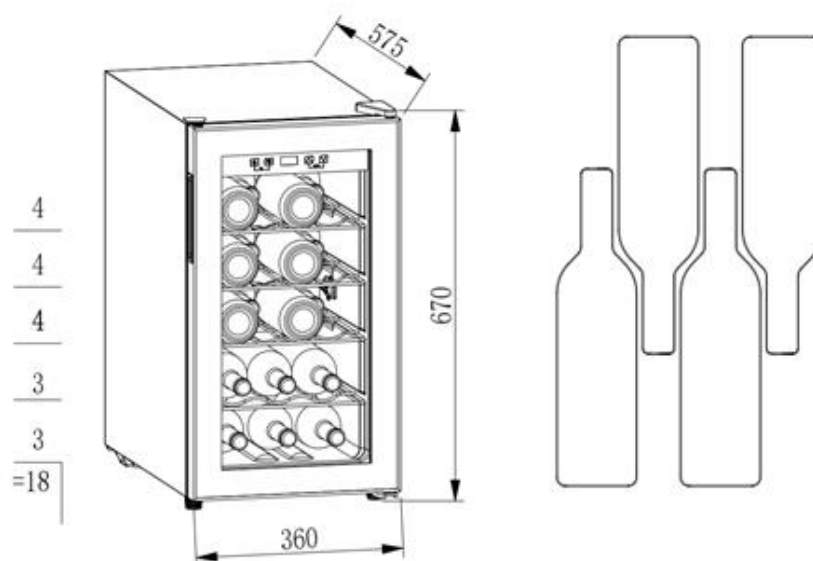


Fahrenheit/Celsius kijelző váltakozása

Váltson a hőmérséklet-kijelzés között Fahrenheit és Celsius között a két gomb egyidejű, 2 másodpercig tartó megnyomásával.

Bortárolás

A készülék elegendő polccal van felszerelve, hogy a borgyűjteménye nyugodtan és békésen érlelődhesen. 4 krómozott polcok betöltési kapacitása: 18 palack. (Standard Bordeaux 750ml-es palackkal)



- A betöltési kapacitás a palackok különböző elrendezési módjai vagy a különböző palackméretek függvényében változik.
- Minden polc úgy van kialakítva, hogy 1 vagy 2 réteg boros palackot tegyen rá. Egy polcon 2 rétegnél több palackelrendezés nem ajánlott.
- Minden polc részben kihúzható, hogy a borsüvegeket könnyen tárolhassa.
- A polcok kihúzása előtt nyissa ki az ajtót eléggé egyenesen.
- A polcot a lehető legjobban el kell kerülni a ventilátor előtt, hogy ne akadályozza a levegő beáramlását és ne befolyásolja a hűtés hatékonyságát.
- Ha a borhűtő hosszabb ideig nincs terhelés, ajánlott kikapcsolni, gondosan megtisztítani, és kinyitni az ajtót a szellőzés érdekében.
- Az alábbi táblázat a bor tárolásához és ivásához ajánlott hőmérsékletet tartalmazza:

Vörösbor	15-18°C
Fehérbor	9-14°C
Rózsabor	10-11°C
Pezsgő és habzóbor	5- 8°C



1. A termék gyári hőmérséklete 12°C , és a megfelelő hőmérsékleti tartományt a tényleges bornak megfelelően kell beállítani.
2. A hűtési hőmérséklet 5 és 20°C között állítható be.
3. Riasztási hang: Ha a rendszer meghibásodása és riasztási hangjelzés jelentkezik, nyomja meg a kezelőpanel bármelyik gombját a riasztási hangjelzés megszüntetéséhez.

7. KARBANTARTÁS ÉS TISZTÍTÁS

Tisztítás

- Tisztítás előtt húzza ki a készüléket a hálózathoz.
- Tisztítsa meg a készüléket puha ruhával vagy szivaccsal vízzel.
- Ne használjon szerves oldószereket, lúgos tisztítószerrel, forró vizet, mosóport vagy savas folyadékot stb.
- Ne öblítse le a készülék rekeszét.
- Tisztítsa rendszeresen azokat a felületeket, amelyek érintkezhetnek a hozzáférhető vízvezető rendszerekkel.

Az alábbi tárgyak károsítják a borhűtő felületét:



Áramszünet

A legtöbb áramkimaradás rövid időn belül megoldható. A borok védelme érdekében áramszünet idején lehetőleg ne nyissa ki az ajtót. Nagyon hosszú áramszünet esetén tegye meg a szükséges intézkedéseket a borok védelme érdekében.

Hosszú ideig nem üzemel

Vegye ki az összes palackot a készülékből, kapcsolja ki, olvasztja le, tisztítsa meg, szárítsa meg, és hagyja nyitva az ajtót, hogy megakadályozza a készülékben a penész kialakulását.



Ha a készüléket kikapcsolták vagy áramszünet van, legalább öt percet várjon a újraindításával.

Hosszú ideig üzemel kívül

Távolítsa el az összes palackot a készülékből, kapcsolja ki, olvasztja le, tisztítsa meg, szárítsa meg, és hagyja nyitva az ajtót, hogy megakadályozza a készülékben a penész kialakulását.

A készülék mozgatása

Kapcsolja ki az áramellátást, és húzza ki a készüléket a konnektorból.

Vegye ki az összes palackot a készülékből.

A készülék mozgatásakor ne döntse a készüléket 45°-nál jobban.

8. HIBAELHÁRÍTÁS

Probléma	Megoldás
A készülék sok zajt csap?	Kérjük, állítsa be az elülső lábat, tartsa a készüléket vízszintesen. Kérjük, tartsa a készüléket egy kis távolságra a falaktól.
Folyékony folyadék áramlásának hangja van a szekrény belsejében?	Ez normális, mert a hűtőközeg dolgozik a belsejében.
A készülék nem indul el?	Győződjön meg róla, hogy a készülék megfelelően csatlakoztatva van a hálózathoz. Győződjön meg róla, hogy bekapcsolta a készüléket. A kompresszor 5 perc után újraindul áramszünet esetén.
A kompresszor folyamatosan működik?	Ha nem termel hideget, hívja a kereskedő vevőszolgálatát.
Az ajtók nem zárnak szorosan?	Hosszú használat után az ajtótmítés részben megmerevedhet és eltorzulhat. 7. Melegítse fel az ajtótmítést melegszélfúvóval vagy forró törölközővel. 8. Az ajtótmítés megpuhul és bezárja az ajtót.
A készülék nem hűl le eléggé?	Kérjük, módosítsa a hőmérséklet-beállítást. Tartsa a készüléket napfénytől vagy hőtől távol. Kérjük, ne nyissa ki gyakran az ajtót.
Kellemetlen szagok a szekrény belsejében?	Egy kis műanyagszag az újonnan vásárolt készülékeknél normális, és rövid idő után el fog tűnni. Tisztítsa meg a rekeszt és néhány órán át szellőztesse ki.
Kondenzátum az üvegajtón?	Kérjük, ne nyissa ki gyakran vagy hosszú időre az ajtót. Kérjük, ne állítsa túl alacsonyra a hőmérsékletet. A magas környezeti hőmérséklet és páratartalom kondenzációt okozhat.
Nem működik a világítás?	Először ellenőrizze az áramellátást. Hívja a kereskedő vevőszolgálatát, ha a lámpa elromlott.

Hibakód:

Ha a hőmérséklet-érzékelő meghibásodik, hibakód jelenik meg a kijelzőn:

E1 nyitott áramkör esetén. / E2 rövidzárlat esetén.

ÜGYFÉLSZOLGÁLAT ÉS SZERVIZ

Mindig eredeti pótalkatrészeket használjon.

Ha felveszi a kapcsolatot hivatalos szervizközpontunkkal, gondoskodjon arról, hogy a következő adatok rendelkezésre álljanak: Modell- és sorozatszám.

Az adatok a teljesítménytáblán találhatóak. Előzetes értesítés nélkül változhat.

TECHNIKAI ADATOK

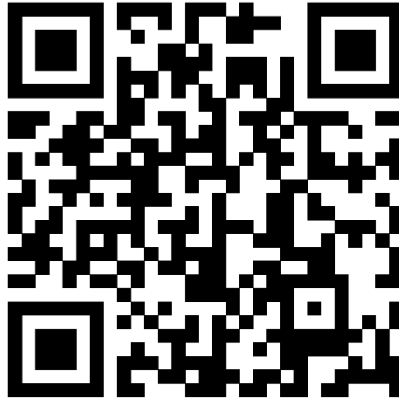
A műszaki adatok a készülék belső oldalán lévő teljesítménytáblán és az energiacímkén találhatóak.

A készülékhez mellékelt energiacímkén található QR-kód egy weblinket biztosít a készülék teljesítményével kapcsolatos információkhoz az EU EPREL adatbázisában.

Az energiacímkét a használati útmutatóval és a készülékhez mellékelt minden más dokumentummal együtt őrizze meg referenciaként.

Ugyanezeket az információkat az EPREL adatbázisban is megtalálhatja a <https://eprel.ec.europa.eu> link, valamint a modell neve és a készülék címtábláján található termékszám segítségével.

A termékére vonatkozó információkhoz az EPREL portálon az alábbi kódok beolvasásával juthat hozzá:



Köszönjük, hogy megvásárolta ezt a terméket. Ha támogatásra van szüksége a termékkel kapcsolatban, látogasson el weboldalunkra az alábbi linkek segítségével.

Felhasználói kézikönyvek beszerzése: <https://www.heinner.ro>

Szervizinformációk: <https://www.heinner.ro>



Környezetbarát ártalmatlanítás

Ön is hozzájárulhat a környezet védelméhez!

Ne feledje, hogy tartsa be a helyi előírásokat: adja le a nem működő elektromos berendezéseket a megfelelő hulladékkezelő központban.



A HEINNER a Network One Distribution SRL bejegyzett védjegye. Más márkák és terméknevek a megfelelő jogosultak védjegyei vagy bejegyzett védjegyei.

A specifikációk semmilyen formában vagy eszközzel nem reprodukálhatók, illetve nem használhatók fel származékos termékek készítésére, például fordításra, átalakításra vagy adaptációra a NETWORK ONE DISTRIBUTION engedélye nélkül.

Szerzői jog © 2013 Network One Distribution. Minden jog fenntartva.

www.heinner.com, <http://www.nod.ro>



Ez a termék megfelel az Európai Közösség normáinak és szabványainak.



Importőr: **Network One Distribution**

Marcel Iancu Street, 3-5, Bukarest, Románia

Tel: +40 21 211 18 56, www.heinner.com, www.nod.ro

ОХОЛОДЖУВАЧ ВІНА

Модель: HRV-A52DRM18



- Кількість пляшок: 18
- Клас енергоспоживання: G

HEINNER

1. ВСТУП

Будь ласка, уважно прочитайте інструкцію та збережіть її для подальшого використання. Ця інструкція містить усі необхідні вказівки щодо встановлення, використання та технічного обслуговування пристрою. Для правильної та безпечної експлуатації пристрою, будь ласка, уважно прочитайте цю інструкцію перед встановленням та використанням.

2. ВМІСТ ВАШОЇ УПАКОВКИ

- ➔ Охолоджувач вина
- ➔ Посібник користувача
- ➔ Гарантійний талон

3. ЗАСТЕРЕЖЕННЯ ЩОДО БЕЗПЕКИ

Попередження



Небезпека пожежі/займистих матеріалів

- Ваша безпека є надзвичайно важливою для нашої компанії. Будь ласка, переконайтеся, що ви прочитали цю інструкцію перед тим, як намагатися встановити або використовувати прилад. Якщо ви не впевнені в будь-якій інформації, що міститься в цій брошурі, будь ласка, зверніться до технічного відділу.
- Цим приладом можуть користуватися діти віком від 8 років і старше, а також люди з обмеженими фізичними, сенсорними або розумовими здібностями або з недостатнім досвідом і знаннями, якщо вони перебувають під наглядом або проінструктовані щодо безпечного використання приладу і розуміють пов'язані з цим небезпеки. Діти не повинні гратися з приладом. Чищення та обслуговування приладу не повинні виконуватися дітьми без нагляду дорослих.
- Дітям віком від 3 до 8 років не дозволяється завантажувати та розвантажувати холодильні прилади. Діти повинні перебувати під наглядом, щоб не гратися з приладом.
- Цей прилад призначений **ЛИШЕ ДЛЯ ДОМАШНЬОГО ВИКОРИСТАННЯ**, а не для комерційного або промислового використання.
- **Попередження:** Тримайте вентиляційні отвори в корпусі приладу або у вбудованій конструкції вільними від перешкод.
- **Попередження:** Не використовуйте механічні пристрої або інші засоби для прискорення процесу розморожування, окрім рекомендованих виробником.
- **Попередження:** Не пошкоджуйте електричний контур холодильника.
- **Попередження:** Не використовуйте електричні прилади у відсіках для зберігання приладу, якщо вони не рекомендовані виробником.
- **Попередження:** Переконайтеся, що прилад підключено до електромережі відповідно до параметрів, зазначених на таблиці з технічними даними.
- **Попередження:** Використовуйте окрему заземлену розетку на 10 А або вище, не підключайте до трансформатора або розетки з декількома розетками.
- **Попередження:** Переконайтеся, що розетка заземлена належним чином, і не модифікуйте шнур живлення та вилку.
- **Попередження:** Надійно вставляйте штепсельну вилку в розетку, щоб уникнути ризику загоряння.

- **Попередження:** Штепсельні вилки повинні бути в межах досяжності для легкого від'єднання після встановлення приладу в разі нещасного випадку.
- **Попередження:** Не зберігайте і не спалюйте бензин або інші легкозаймисті речовини поблизу приладу через можливу пожежу.
- **Попередження:** Не зберігайте легкозаймисті вибухові речовини, кислоти, луги тощо у відділенні приладу.
- **Попередження:** Не використовуйте інші прилади у відділенні.
- **Попередження:** Прилад призначений для самостійного встановлення на підлозі і не може бути вбудований під стільницею.

Безпека дітей

- Не дозволяйте дітям гратися всередині приладу, щоб уникнути його заклинювання.
- Не дозволяйте дітям висіти на дверцятах, щоб уникнути падіння з приладу.
- Не дозволяйте дітям залазити в компресорний відсік або торкатися металевих компонентів на задній панелі приладу, щоб уникнути травмування.

Тримати подалі від води

- Не розбризкуйте воду на прилад і не мийте його, наливаючи або заливаючи воду, щоб уникнути пошкодження ізоляції та можливого ураження електричним струмом.

Обережно, замерзання

- Не торкайтеся поверхні вкладиша всередині відділення, особливо мокрою рукою, щоб уникнути обмороження під час роботи приладу.

Не відчиняйте дверцята на тривалий час

- Відчинення дверцят на тривалий час може призвести до значного підвищення температури у відділеннях приладу.

Забороняється вносити зміни в конструкцію приладу

- Не вносьте зміни в конструкцію приладу самостійно, це може призвести до його пошкодження.

Від'єднуйте прилад від мережі за певних умов

- Від'єднуйте прилад від мережі перед чищенням і технічним обслуговуванням.
- Від'єднуйте прилад від електромережі, якщо сталося відключення електроенергії.

Утилізація приладу

- Будь ласка, дотримуйтесь місцевих норм щодо утилізації приладу, який містить легкозаймистий холодоагент і газ для роздування.
- Перед утилізацією приладу зніміть дверцята, щоб діти не могли потрапити в пастку.
- Відправте прилад у спеціально відведене місце утилізації.

Попередження, пов'язані з електрикою

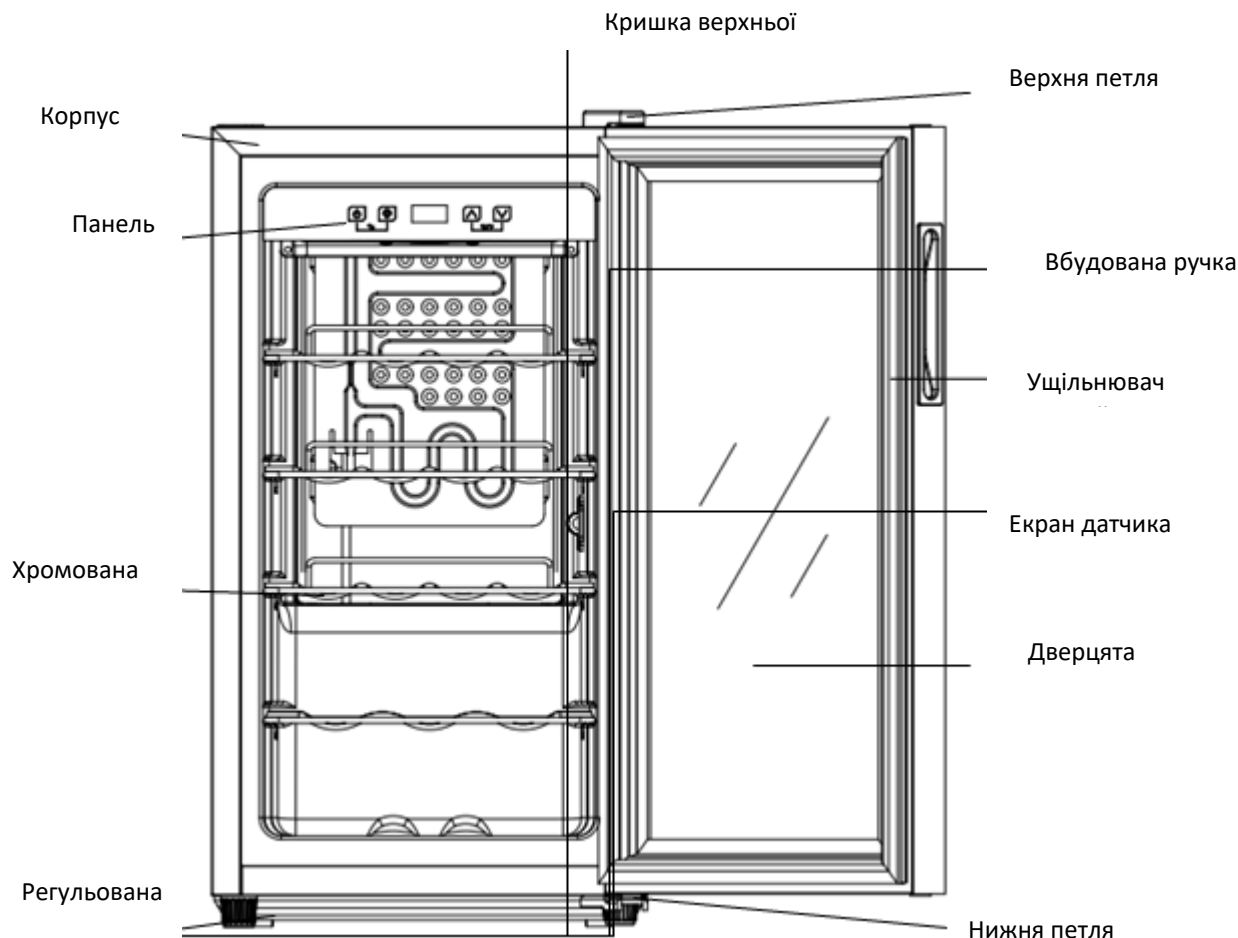
Не пошкоджуйте шнур живлення

- Не вимикайте прилад, тягнучи за шнур живлення, а не витягуючи вилку з розетки.
- Не встановлюйте прилад над шнуром живлення і не наступайте на нього навмисно.
- Під час переміщення приладу кладіть шнур живлення у відповідне місце.

Якщо шнур живлення пошкоджений

- Не використовуйте пошкоджений шнур живлення і негайно замініть його у сервісному центрі виробника або у кваліфікованого електрика.
- За необхідності подовжте шнур живлення за допомогою кабелю з перетином 0,75 мм² або більшим за допомогою кваліфікованого електрика.

4. ОПИС ВИРОБУ



Малюнок вище наведено лише для ознайомлення. Фактична конфігурація буде залежати від фізичного продукту або заяви дистриб'ютора.

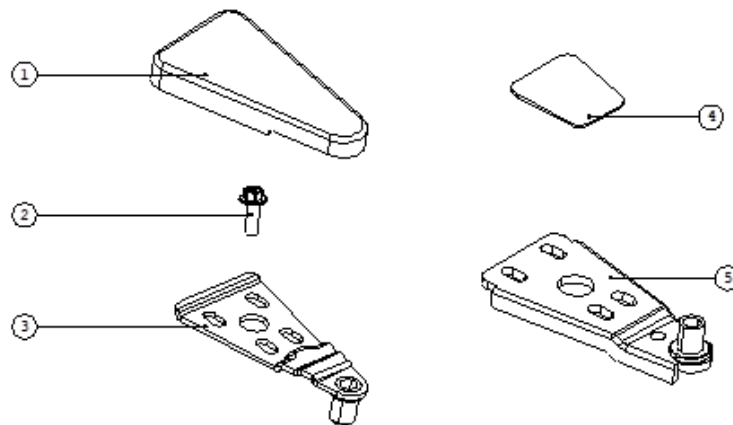
5. ВСТАНОВЛЕННЯ

Положення

- ⚠ Не нахильте прилад під кутом більше 45° під час переміщення його в потрібне положення.
 - ⚠ Прилад повинен стояти на рівній, твердій і сухій підлозі або на аналогічній негорючій підкладці; не використовуйте пінопластову підкладку з упаковки.
 - ⚠ Не ставте прилад у вологому місці.
 - ⚠ Не використовуйте прилад у замерзлому місці.
- Не використовуйте прилад на відкритому повітрі під впливом сонячних променів або дощу.
- ⚠ Прилад слід встановлювати так, щоб навколо нього було на 10 см більше простору для хорошої вентиляції; це нормально, що корпус шафи нагрівається під час роботи приладу.
- Пляшки з вином можна зберігати, коли ви відчуєте охолодження всередині після того, як прилад попрацює приблизно 1 годину.

Реверсування дверцят

1. деталі для відкидання дверцят

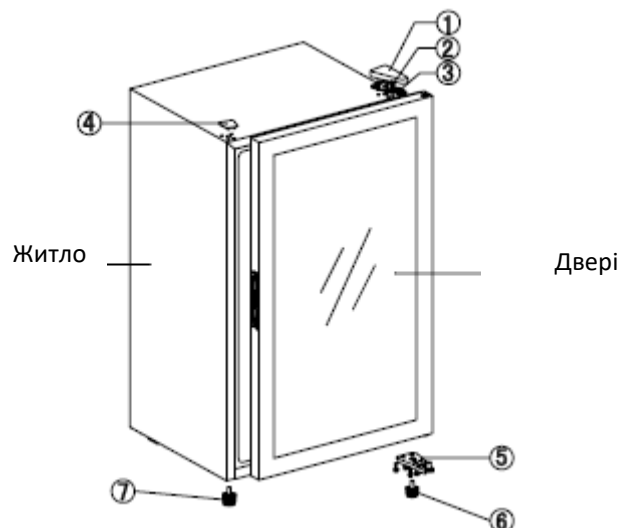


1. Кришка дверних петель
2. Гвинт фланця
3. Петля дверцят
4. Ковпачок
5. Нижня дверна петля

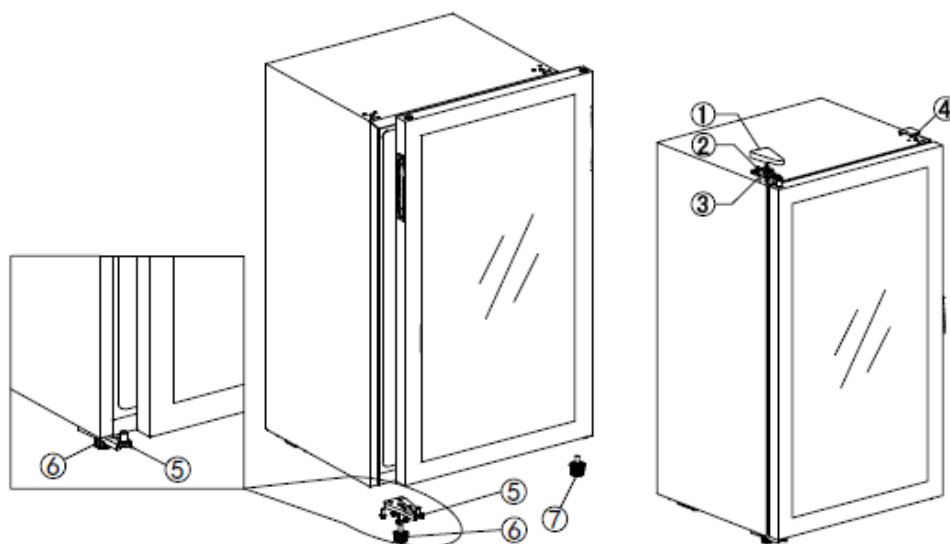
2. Перевертання дверцят

Наші винні шафи поставляються з дверцятами, що відкриваються зліва направо. Щоб змінити напрямок відкривання:

- 1) Закрийте дверцята.
- 2) Зніміть кришку дверних петель (1) у верхньому правому куті; відкрутіть гвинти фланця (2); зніміть дверні петлі (3); зніміть верхню ліву кришку (4).
- 3) Підніміть дверцята вгору, поки вони не знімуться з нижньої дверної петлі (5).
- 4) Відкрутіть нижню дверну петлю. Зніміть коротку ніжку шафи (6) і високу ніжку шафи (7).



- 5) Встановіть нижню дверну петлю (5) у нижній лівий кут; встановіть коротку ніжку шафи (6) і високу ніжку шафи (7). Покладіть дверцята зверху і вставте в нижню петлю.
- 6) Встановіть дверну петлю (3) у верхній лівий кут і закрутіть гвинти фланця (2); надіньте кришку дверної петлі (1); надіньте кришку на праву верхню сторону (4).



6. ЕКСПЛУАТАЦІЯ

Початок роботи

1. Очищення відділення

Перед увімкненням очистіть внутрішню частину приладу та перевірте, чи добре під'єднана дренажна труба.

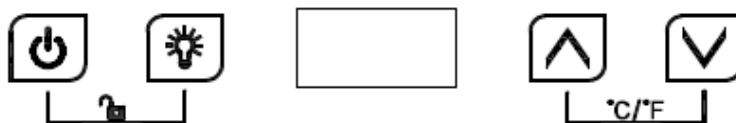
2. Встановіть прилад нерухомо

Перед увімкненням вирівняйте прилад на твердій і сухій підлозі принаймні на 3 години.

3. Увімкнення живлення

Прилад почне працювати і охолоне всередині через 1 годину, в іншому випадку перевірте підключення до електромережі.

Панель керування



У режимі блокування всі клавіші будуть недійсні. Будь ласка, спочатку розблокуйте.



УВІМКНЕННЯ/ВИМКНЕННЯ

- натисніть і утримуйте кнопку протягом 3 секунд, щоб вимкнути пристрій і перейти в режим очікування.
- натисніть і утримуйте клавішу протягом 3 секунд, щоб повернутися до нормальної роботи.



Світло

Натисніть клавішу, щоб увімкнути або вимкнути світлодіодне підсвічування всередині. У режимі очікування кнопка не діє.



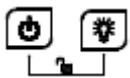
ВГОРУ

Натисніть кнопку один раз, світлодіодний дисплей почне блимати, показуючи поточну задану температуру. Продовжуйте натискати, щоб відрегулювати задану температуру, одне натискання збільшує 1°C. Регулярне миготіння припиняється через 5 секунд, якщо не було жодного натискання, і зберігається нова встановлена температура. Світлодіодний дисплей повернеться до відображення фактичної температури всередині.



ВНИЗ

Натисніть кнопку один раз, світлодіодний дисплей постійно блимає, показуючи поточну задану температуру. Продовжуйте натискати, щоб відрегулювати задану температуру, одне натискання зменшує на 1°C. Регулярне миготіння припиняється через 5 секунд, якщо не було жодного натискання, і зберігається нова встановлена температура. Світлодіодний дисплей повертається до відображення фактичної температури всередині.



Блокування від дітей (комбінована к л а в і ш а)

1. блокування: Натисніть обидві клавіші одночасно протягом 3 секунд, щоб заблокувати.
2. розблокування: натисніть обидві клавіші одночасно протягом 3 секунд, щоб розблокувати.

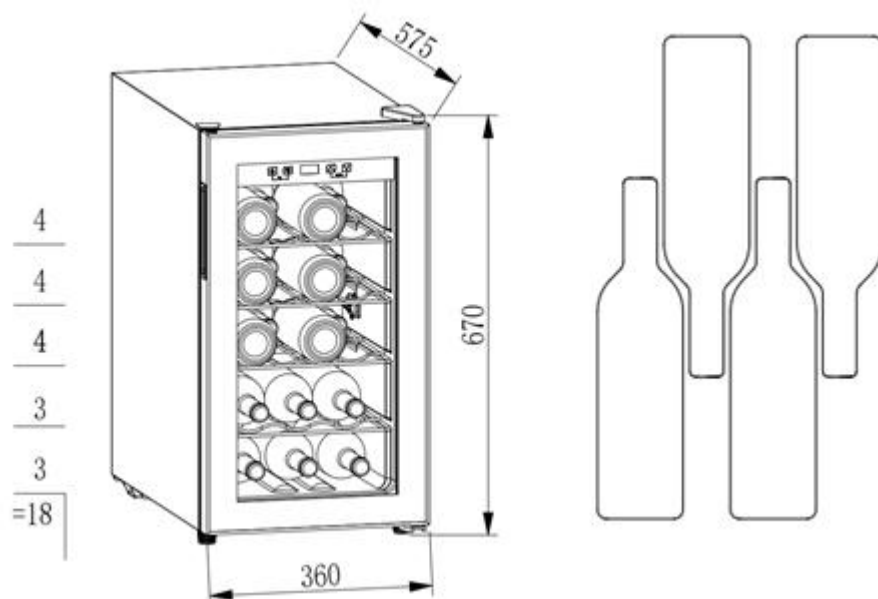


Перемикання дисплея між Фаренгейтом і Цельсієм

Перемикання відображення температури між Фаренгейтом і Цельсієм шляхом одночасного натискання обох кнопок на 2 секунди.

Зберігання вина

Прилад оснащений достатньою кількістю полиць, щоб ваша колекція вин дозрівала в тиші та спокої. 4 хромовані полиці місткістю 18 пляшок. (Стандартне бордо об'ємом 750 мл)



- Місткість залежить від способу розташування пляшок або розміру пляшок.
- Кожна полиця розрахована на 1 або 2 шари винних пляшок. Не рекомендується розміщувати більше 2 шарів пляшок на одній полиці.
- Кожна полиця може частково висуватися для зручного зберігання винних пляшок.

- Перед тим, як витягувати полиці, відкрийте дверцята досить широко.
- Полку слід якомога менше ставити перед вентилятором, щоб не перекривати вхід повітря і не впливати на ефективність охолодження.
- Якщо винна шафа не використовується протягом тривалого часу, рекомендується вимкнути її, ретельно почистити і відкрити дверцята для провітрювання.
- Нижче наведена таблиця з рекомендованою температурою для зберігання та вживання вина:

Червоне вино	15-18°C
Біле вино	9-14°C
Рожеве вино	10-11°C
Шампанське та ігристе вино	5- 8°C



1. Заводська температура цього продукту становить 12°C , і відповідний температурний діапазон повинен бути встановлений відповідно до фактичного вина.
2. Температуру охолодження можна встановити від 5 до 20 .°C
3. Звуковий сигнал тривоги: при виникненні несправностей системи і звукового сигналу тривоги, натисніть будь-яку клавішу на панелі управління, щоб скасувати звуковий сигнал тривоги.

7. ТЕХНІЧНЕ ОБСЛУГОВУВАННЯ ТА ЧИСТКА

Чищення

- Перед чищенням відключіть прилад від мережі.
 - Очистіть прилад м'якою тканиною або губкою, змоченою водою.
 - Не використовуйте органічні розчинники, лужні миючі засоби, окріп, пральний порошок або кислотні рідини тощо.
 - Не змивайте воду у внутрішньому відділенні приладу.
 - Чистіть звичайні поверхні, які можуть контактувати з доступними дренажними системами.
- Наведені нижче засоби можуть пошкодити поверхню охолоджувача для вина:



Alkaline detergent.



Organic solvents.



Brushes¹



Boiling water.

Відключення електроенергії

Більшість перебоїв в електропостачанні можна усунути протягом короткого часу. Щоб захистити свої вина під час відключення електроенергії, намагайтеся не відкривати дверцята, наскільки це можливо. Під час дуже тривалих перебоїв в електропостачанні вживайте необхідних заходів для захисту вина.

Тривале відключення електроенергії

Вийміть усі пляшки з приладу, вимкніть його, розморозьте, почистіть, висушіть і залиште дверцята відкритими, щоб запобігти утворенню плісняви всередині приладу.



Якщо прилад відключено від мережі або якщо сталося відключення електроенергії, необхідно зачекати принаймні п'ять хвилин, перш ніж його повторно ввімкнути.

Тривала перерва в роботі

Вийміть усі пляшки з приладу, вимкніть його, розморозьте, почистіть, висушіть і залиште дверцята відкритими, щоб запобігти утворенню плісняви всередині приладу.

Переміщення приладу

Відключіть електроживлення і витягніть вилку з розетки.

Вийміть усі пляшки з приладу.

Під час переміщення приладу не нахиляйте його більше ніж на 45°.

8. УСУНЕННЯ НЕСПРАВНОСТЕЙ

Проблема	Спосіб усунення
Прилад видає багато шуму?	Відрегулюйте передню ніжку та вирівняйте прилад. Будь ласка, тримайте прилад на невеликій відстані від стін.
Звук протікання рідини всередині шафи?	Це нормально, оскільки всередині працює холодоагент.
Прилад не вмикається?	Переконайтеся, що прилад правильно підключений до електромережі. Увімкніть електроживлення. Компресор перезапускається через 5 хвилин після перерви в подачі електроенергії.
Компресор працює безперервно?	Якщо холод не виробляється, зателефонуйте до служби післяпродажного обслуговування продавця.
Дверцята не закриваються щільно?	Після тривалого використання ущільнювач дверцят може стати жорстким і частково деформуватися. 9. Нагрійте ущільнювач за допомогою гарячого вітру або гарячого рушника. 10. Ущільнювач розм'якшується і закриває дверцята.
Прилад недостатньо охолоджує?	Відрегулюйте налаштування температури. Тримайте прилад подалі від сонячних променів або тепла. Не відчиняйте дверцята часто.
Неприємний запах зсередини?	Невеликий запах пластмаси для нових приладів є нормальним явищем і зникне через деякий час. Почистіть відділення та провітріть його протягом кількох годин.
Конденсат на скляних дверцятах?	Не відчиняйте дверцята часто або надовго. Не встановлюйте занадто низьку температуру. Висока температура і вологість навколишнього середовища можуть призвести до утворення конденсату.
Не працює світло?	Спочатку перевірте джерело живлення. Якщо лампа несправна, зверніться до служби післяпродажного обслуговування продавця.

Код помилки:

У разі виходу з ладу датчика температури на дисплеї з'являється код помилки:

E1 - обрив ланцюга. / E2 - коротке замикання.

ОБСЛУГОВУВАННЯ ТА СЕРВІС

Завжди використовуйте оригінальні запасні частини.

Звертаючись до нашого авторизованого сервісного центру, переконайтеся, що у вас є наступні дані:

Модель і серійний номер.

Інформацію можна знайти на табличці з технічними даними. Ми залишаємо за собою право на зміни без попереднього повідомлення.

ТЕХНІЧНІ ДАНІ

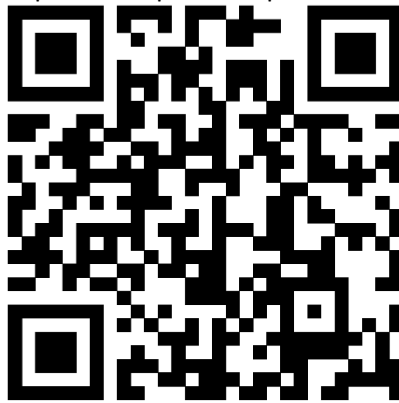
Технічна інформація міститься на табличці з технічними даними на внутрішній стороні приладу та на енергетичній етикетці.

QR-код на енергетичній етикетці, що додається до приладу, містить веб-посилання на інформацію, пов'язану з експлуатаційними характеристиками приладу в базі даних ЄС EPREL.

Зберігайте енергетичну етикетку для довідки разом з інструкцією з експлуатації та всіма іншими документами, що додаються до приладу.

Цю ж інформацію можна також знайти в EPREL за посиланням <https://eprel.ec.europa.eu>, вказавши назву моделі та номер виробу на табличці з технічними даними приладу.

Щоб отримати доступ до інформації про ваш виріб на порталі EPREL, відскануйте наведені нижче коди:



Дякуємо за придбання цього продукту. Якщо вам потрібна підтримка щодо вашого продукту, відвідайте наш веб-сайт, скориставшись посиланнями нижче.

Отримати посібники користувача: <https://www.heinner.ro>

Отримати інформацію про обслуговування: <https://www.heinner.ro>



Екологічно безпечна утилізація

Ви можете допомогти захистити навколишнє середовище!

Будь ласка, пам'ятайте про дотримання місцевих правил: передайте непрацююче електрообладнання до відповідного центру утилізації відходів.



HEINNER є зареєстрованою торговою маркою компанії **Network One Distribution SRL**. Інші торгові марки та назви продуктів є товарними знаками або зареєстрованими товарними знаками відповідних власників.

Жодна частина специфікацій не може бути відтворена в будь-якій формі і будь-якими засобами або використана для створення будь-яких похідних, таких як переклад, трансформація або адаптація, без дозволу NETWORK ONE DISTRIBUTION.

Авторське право © 2013 Network One Distribution. Всі права захищені.

www.heinner.com, <http://www.nod.ro>



Цей продукт відповідає нормам і стандартам Європейського співтовариства



Імпортер: **Network One Distribution**

Вулиця Марселя Янку, 3-5, Бухарест, Румунія

Тел: +40 21 211 18 56, www.heinner.com , www.nod.ro

HLADNJAK ZA VINO

Model: HRV-A52DRM18



- Broj boca: 18
- Energetski razred: G

HEINNER

1. UVOD

Pažljivo pročitajte upute i sačuvajte priručnik za buduće informacije.

Ovaj priručnik je osmišljen kako bi dao sve potrebne upute u vezi s instalacijom, uporabom i održavanjem jedinice. Kako biste ispravno i sigurno radili jedinici, pažljivo pročitajte ovaj priručnik s uputama prije instalacije i uporabe.

2. SADRŽAJ VAŠEG PAKETA

- ➔ Hladnjak za vino
- ➔ Priručnik
- ➔ Potvrda o jamstvu

3. SIGURNOSNA UPOZORENJA

Upozorenje



Opasnost od požara/zapaljivih materijala

- Vaša sigurnost je od najveće važnosti za našu tvrtku. Obavezno pročitajte ovu knjižicu s uputama prije nego što pokušate instalirati ili koristiti uređaj. Ako niste sigurni u bilo koju informaciju sadržanu u ovoj knjižici, obratite se tehničkom odjelu.
- Ovaj uređaj mogu koristiti djeca starija od 8 godina i osobe sa smanjenim fizičkim, osjetilnim ili mentalnim sposobnostima ili nedostatkom iskustva i znanja ako su pod nadzorom ili upute o korištenju uređaja na siguran način i razumiju opasnosti. Djeca se ne smiju igrati s uređajem. Čišćenje i održavanje korisnika ne smiju obavljati djeca bez nadzora.
- Djeca od 3 do 8 godina ne smiju puniti i istovarivati rashladne uređaje. Djecu treba nadzirati kako bi se osiguralo da se ne igraju s uređajem.
- Ovaj uređaj je namijenjen SAMO ZA KUĆANSTVO, a ne za komercijalnu ili industrijsku upotrebu.
- **Upozorenje:** Držite ventilacijske otvore, u kućištu uređaja ili u ugrađenoj konstrukciji, podalje od prepreka.
- **Upozorenje:** Nemojte koristiti mehaničke uređaje ili druga sredstva za ubrzavanje procesa odmrzavanja, osim onih koje preporučuje proizvođač.
- **Upozorenje:** Nemojte oštetiti krug hladnjaka.
- **Upozorenje:** Nemojte koristiti električne uređaje unutar pretinaca za odlaganje uređaja, osim ako nisu tipa koji preporučuje proizvođač.
- **Upozorenje:** Provjerite je li uređaj priključen na napajanje u skladu s natpisnom naljepnicom.
- **Upozorenje:** Koristite neovisnu uzemljenu utičnicu s 10A ili više, nemojte spajati na transformator ili utičnicu s više utičnica.
- **Upozorenje:** Provjerite je li utičnica pravilno uzemljena i nemojte mijenjati kabel za napajanje i utikač.
- **Upozorenje:** Čvrsto priključite utikač s utičnicom u slučaju moguće opasnosti od požara.
- **Upozorenje:** Utikači trebaju biti nadohvat ruke radi lakšeg isključivanja nakon što se uređaj postavi u slučaju nesreće.
- **Upozorenje:** Nemojte skladištiti ili paliti benzin ili druge zapaljive tvari u blizini uređaja u slučaju mogućeg požara.

- **Upozorenje:** Ne skladištite zapaljive eksplozive, kiseline i alkalne tekućine etc.in odjeljku uređaja.
- **Upozorenje:** Nemojte koristiti druge uređaje u odjeljku.
- **Upozorenje:** Uređaj je dizajniran da stoji samostalno na podu i ne može se ugraditi ispod pulta.

Sigurnost djece

- Ne dopustite djeci da se igraju unutar uređaja u slučaju zaglavljivanja.
- Ne dopustite djeci da vise na vratima kako bi se igrala u slučaju pada s uređaja.
- Ne dopustite djetetu da poseže u odjeljak kompresora ili dodiruje metalne dijelove na stražnjoj strani uređaja u slučaju mogućih ozljeda.

Držati podalje od vode

- Nemojte prskati vodu po uređaju niti ga prati ulijevanjem ili punjenjem vode u slučaju nevažeće izolacije i mogućeg strujnog udara.

Pazite na smrzavanje

- Ne dodirujte površinu obloge unutar odjeljka, posebno mokrom rukom, u slučaju ozljeda od smrzavanja dok uređaj radi.

Ne otvarajte vrata dulje vrijeme

- Dugotrajno otvaranje vrata može uzrokovati značajno povećanje temperature u odjeljcima uređaja.

Modifikacija uređaja nije dopuštena

- Nemojte sami rekonstruirati uređaj, jer to može uzrokovati oštećenje uređaja.

Isključite uređaj iz struje pod određenim uvjetima

- Isključite uređaj iz utičnice prije čišćenja i održavanja.
- Isključite uređaj iz utičnice kada dođe do nestanka struje.

Zbrinjavanje uređaja

- Molimo, u skladu s lokalnim propisima o odlaganju uređaja zbog zapaljivog rashladnog sredstva i plina za puhanje.
- Prije nego što odbacite uređaj, skinite vrata kako biste spriječili da djeca budu zarobljena.
- Pošaljite uređaj na određeno mjesto za odlaganje.

Upozorenja vezana uz električnu energiju

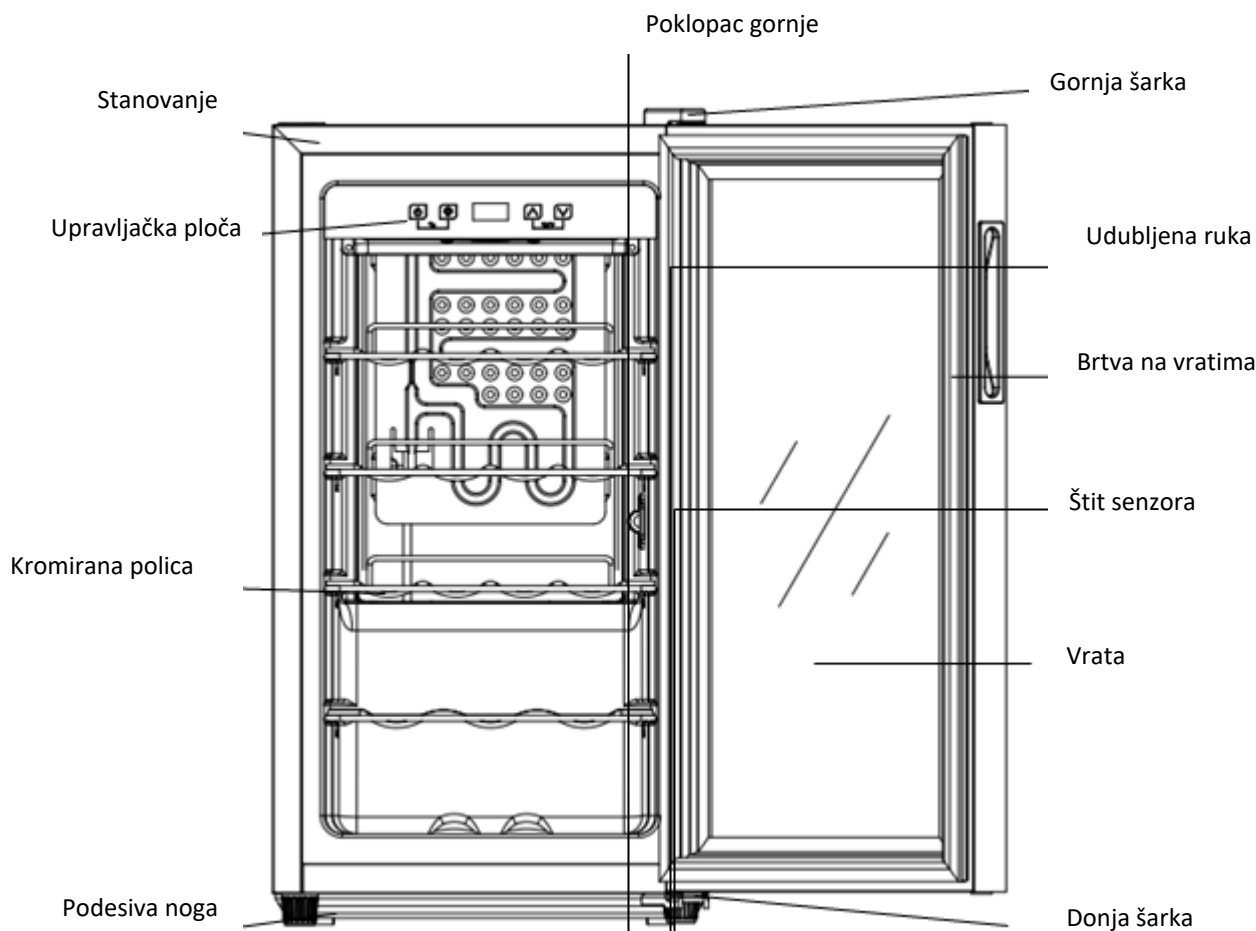
Nemojte oštetiti kabel za napajanje

- Nemojte isključivati uređaj povlačenjem kabela za napajanje, a ne povlačenjem utikača.
- Nemojte postavljati uređaj iznad kabela za napajanje niti namjerno gaziti kabel.
- Stavite kabel za napajanje na pravo mjesto prilikom premještanja uređaja.

Kada je kabel za napajanje oštećen

- Nemojte koristiti oštećene kabele za napajanje i odmah ih zamijenite kod servisera proizvođača ili kvalificiranog električara.
- Ako je potrebno, produžite kabel za napajanje kabelom od 0.75 mm² ili većim od strane kvalificiranog električara.

4. OPIS PROIZVODA



Gornja slika je samo za referencu. Stvarna konfiguracija ovisit će o fizičkom proizvodu ili izjavi distributera.

5. INSTALACIJA

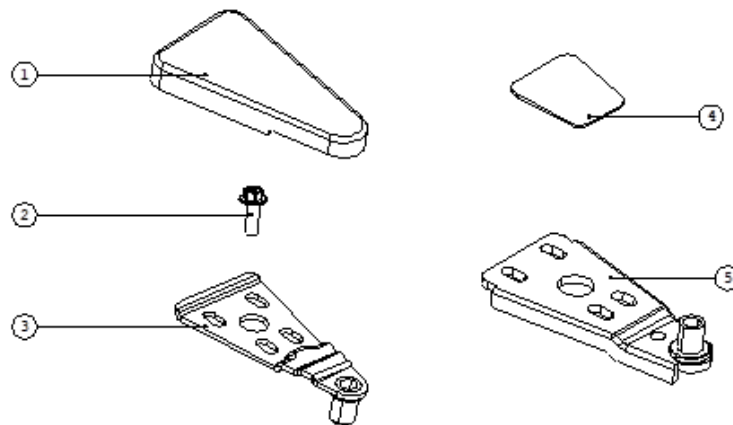
Pozicija

- ⚠ Nemojte naginjati uređaj za više od 45° kada ga pomičete u položaj.
 - ⚠ Uređaj se mora postaviti na ravan, čvrst i suh pod ili sličnu nezapaljivu podlogu; Nemojte koristiti pjenastu podlogu za pakiranje.
 - ⚠ Ne stavljajte uređaj na mokro mjesto.
 - ⚠ Nemojte koristiti uređaj na smrznutom mjestu.
- Nemojte koristiti uređaj na otvorenom u slučaju sunčeve svjetlosti ili kiše.
- ⚠ Uređaj mora biti postavljen s 10 cm širim prostorom za dobru ventilaciju; Normalno je da se kućište ormarića zagrijava dok radi.

Boce vina mogu se pohraniti kada osjetite hlađenje unutra nakon što uređaj radi oko 1 sat.

Vraćanje unatrag

1. Dijelovi za vožnju unatrag vrata

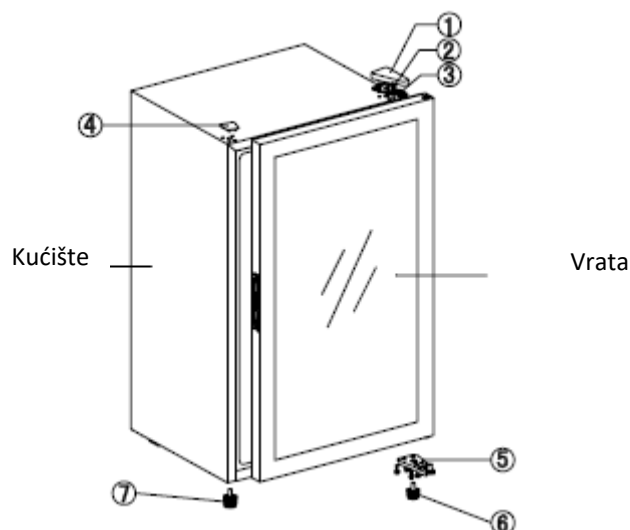


1. Poklopac šarke vrata
2. Vijak za prirubnicu
3. Šarka vrata
4. Kapa
5. Donja šarka vrata

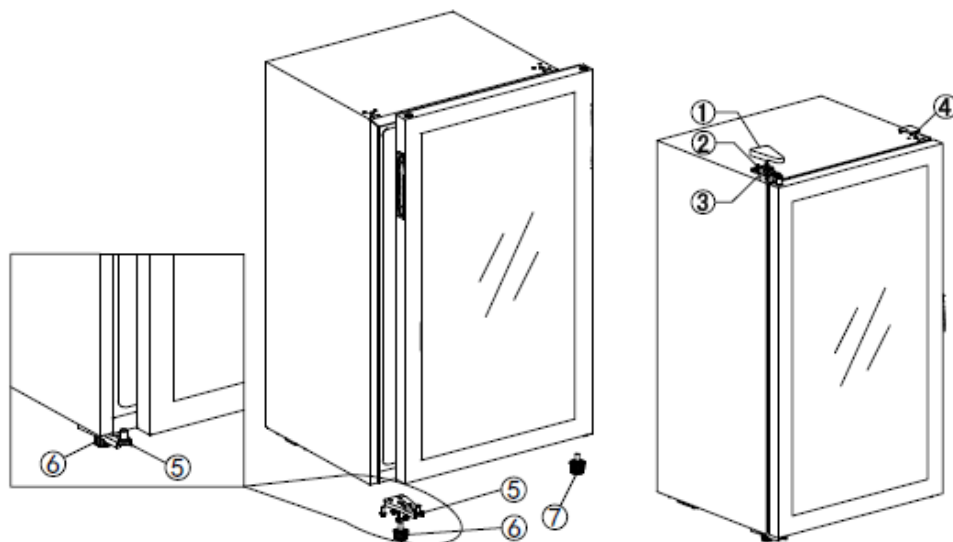
2. Okretanje vrata

Naši hladnjaci za vino isporučuju se s vratima koja se otvaraju s lijeva na desno. Da biste promijenili smjer otvaranja:

- 1) Zatvorite vrata.
- 2) Skinite poklopac šarke vrata (1) u gornjem desnom kutu; Odvijte vijke prirubnice (2); Skinite šarku vrata (3); Uklonite gornji lijevi bočni poklopac (4).
- 3) Podignite vrata prema gore dok se vrata ne skinu s donje šarke vrata (5).
- 4) Odvijte donju šarku vrata. Uklonite kratku nogu ormarića (6) i visinu podnožja ormarića (7).



- 5) Postavite donju šarku vrata (5) u donji lijevi kut; Ugradite kratku nogu ormarića (6) i visinu podnožja ormarića (7). Stavite vrata iznad i umetnite ih u donju šarku vrata.
- 6) Postavite šarku vrata (3) u gornji lijevi kut i pričvrstite vijke prirubnice (2); Stavite poklopac šarke vrata (1); Stavite čep na gornju desnu stranu (4).



6. OPERACIJA

Započnite s radom

1. Čišćenje pretinca

Prije uključivanja očistite unutrašnjost uređaja i provjerite je li odvodna cijev dobro spojena.

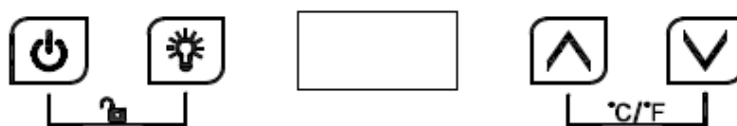
2. Stavite uređaj mirno

Prije uključivanja napajanja, poravnajte uređaj na čvrstom i suhom podu najmanje 3 sata.

3. Uključivanje

Uređaj počinje s radom, a iznutra će se ohladiti nakon 1 sata, inače biste trebali provjeriti priključak za napajanje.

Upravljačka ploča



Svi ključevi bili bi nevažeći u načinu zaključavanja. Prvo otključajte.



UKLJUČENO/ISKLUČENO

1. Nastavite pritiskati tipku 3 sekunde, isključite i prijedite u stanje pripravnosti.
2. Nastavite ponovno pritiskati tipku 3 sekunde kako biste se vratili normalnom radu.



Svjetlo

Pritisnite tipku, uključite je ili isključite LED svjetla unutra. U stanju pripravnosti ključ nije važeći.



GORE

Pritisnite tipku jednom, LED zaslon u običnom bljeskanju prikazuje trenutnu postavljenu temperaturu. Nastavite pritiskati za podešavanje postavljene temperature, jedan pritisak povećava 1°C. Obična bljeskalica

se prekida nakon 5 sekundi, ne otkriva pritisak i sprema novu postavljenu temperaturu. LED zaslon se vraća kako bi prikazao stvarnu temperaturu unutra.



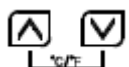
Dolje

Pritisnite tipku jednom, LED zaslon u običnom bljeskanju prikazuje trenutnu postavljenu temperaturu. Nastavite pritiskati za podešavanje postavljene temperature, jedan pritisak smanjuje 1°C. Obična bljeskalica se prekida nakon 5 sekundi, ne otkriva pritisak i sprema novu postavljenu temperaturu. LED zaslon se vraća kako bi prikazao stvarnu temperaturu unutra.



Dječja brava (kombinirani ključ)

1. Zaključavanje: Pritisnite obje tipke u isto vrijeme 3 sekunde za zaključavanje.
2. Otključavanje: Pritisnite obje tipke istovremeno 3 sekunde za otključavanje.

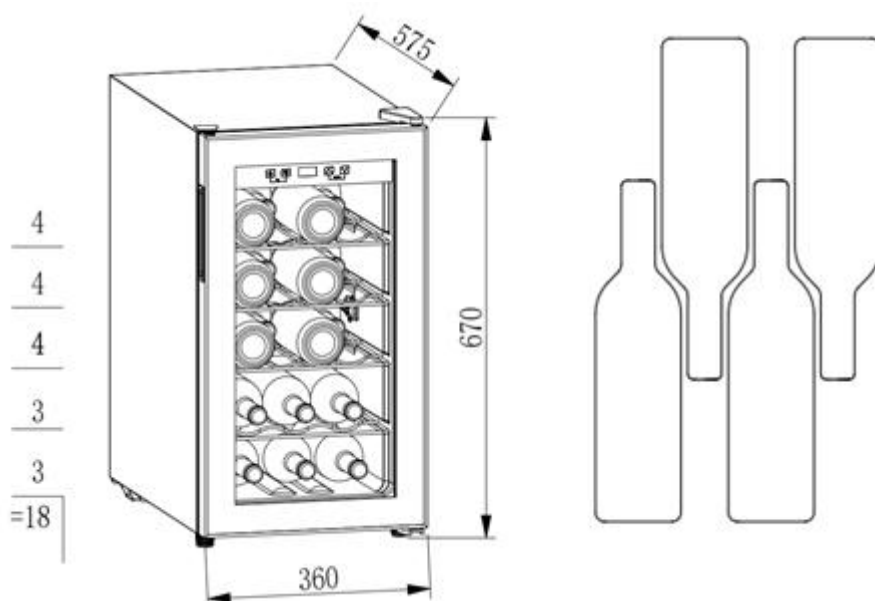


Izmjena zaslona Fahrenheita/Celzijusa

Prebacite prikaz temperature između Fahrenheita i Celzijusa pritiskom na obje tipke u isto vrijeme 2 sekunde.

Skladištenje vina

Uređaj je opremljen s dovoljno polica kako bi vaša kolekcija vina mogla sazrijevati tiho i mirno. Nosivost 4 kromirane police: 18 boca. (Standardni Bordeaux sa 750 ml)



- Kapacitet punjenja ovisit će o različitim načinima rasporeda boca ili različitim veličinama boca.
- Svaka polica dizajnirana je za stavljanje 1 ili 2 sloja boca vina. Ne preporučuje se više od 2 sloja rasporeda boca na jednoj polici.
- Svaka se polica mogla djelomično izvući za lako spremanje boca vina.
- Otvorite vrata dovoljno ravno prije nego što izvučete police.
- Policu treba izbjegavati ispred ventilatora što je više moguće kako bi se izbjeglo blokiranje ulaza zraka i utjecaj na učinkovitost hlađenja.
- Ako hladnjak za vino dulje vrijeme nema opterećenja, preporuča se isključiti ga, pažljivo očistiti i otvoriti vrata za ventilaciju.

- U donjoj tablici nalazi se preporučena temperatura za skladištenje i piće vina:

Crno vino	15-18°C
Bijelo vino	9-14°C
Rose vino	10-11°C
Šampanjac i pjenušac	5- 8°C



1. Tvornička temperatura ovog proizvoda je 12 °C, a odgovarajući temperaturni raspon potrebno je postaviti prema stvarnom vinu.
2. Temperatura hlađenja može se podesiti od 5 do 20 °C.
3. Zvuk alarma: kada dođe do kvarova sustava i zvuka alarma, pritisnite bilo koju tipku na upravljačkoj ploči da biste poništili zvuk alarma.

7. ODRŽAVANJE I ČIŠĆENJE

Čišćenje

- Prije čišćenja isključite uređaj.
- Očistite uređaj mekom krpom ili spužvom vodom.
- Nemojte koristiti organska otapala, alkalni deterdžent, kipuću vodu, prašak za pranje ili kiselu tekućinu itd.
- Nemojte ispirati odjeljak uređaja.
- Očistite obične površine koje mogu doći u dodir s pristupačnim sustavima odvodnje.

Stavke u nastavku oštetit će površinu hladnjaka za vino:



Alkaline detergent.



Organic solvents.



Brushes.



Boiling water.

Nestanak struje

Većina nestanka struje mogla bi se riješiti u kratkom vremenu. Kako biste zaštitili svoja vina tijekom nestanka struje, izbjegavajte otvaranje vrata što je više moguće. Tijekom vrlo dugih nestanka struje poduzmite potrebne mjere kako biste zaštitili svoje vino.

Dugo izvan upotrebe

Izvadite sve boce iz uređaja, isključite, odmrznite, očistite, osušite i ostavite vrata otvorena kako biste spriječili razvoj plijesni unutar uređaja.



Ako je uređaj isključen ili ako je došlo do nestanka struje, morate pričekati najmanje pet minuta prije ponovnog pokretanja

Dugo izvan upotrebe

Izvadite sve boce iz uređaja, isključite, odmrznite, očistite, osušite i ostavite vrata otvorena kako biste spriječili razvoj plijesni unutar uređaja.

Premještanje uređaja

Isključite napajanje i isključite uređaj.

Izvadite sve boce iz uređaja.

Prilikom premještanja uređaja nemojte ga naginjati za 45°.

8. RJEŠAVANJE PROBLEMA

Problem	Otopina
Uređaj stvara veliku buku?	Podesite prednju nogu, držite uređaj u ravnini. Držite uređaj malo dalje od zidova.
Tekući zvuk koji teče unutar ormarića?	To je normalno zbog rashladnog sredstva koje radi unutra.
Uređaj se ne pokreće?	Provjerite je li uređaj pravilno priključen na napajanje. Obavezno uključite napajanje. Kompresor se ponovno pokreće nakon 5 minuta zbog nestanka struje.
Kompresor radi neprekidno?	Ako se ne proizvodi hladnoća, nazovite službu nakon prodaje prodavača.
Vrata se ne brtve čvrsto?	Nakon duljeg vremena korištenja, brtva vrata može postati kruta i djelomično iskrivljena. 11. Zagrijte brtvu vrata puhalom za vrući vjetar ili vrućim ručnikom. 12. Brtva vrata omekšava i zatvara vrata.
Uređaj se ne hladi dovoljno?	Podesite postavku temperature. Držite uređaj dalje od sunčeve svjetlosti ili topline. Nemojte često otvarati vrata.
Neugodni mirisi unutar ormarića?	Malo mirisa plastike za novokupljene uređaje je normalno i nestat će nakon kratkog vremena. Očistite odjeljak i prozračite ga nekoliko sati.
Kondenzat na staklenim vratima?	Nemojte otvarati vrata često ili dulje vrijeme. Nemojte postavljati temperaturu prenisko. Visoka temperatura i vlaga okoline uzrokovali bi kondenzat.
Ne radi li svjetlo?	Prvo provjerite napajanje. Nazovite servis prodavača nakon prodaje ako je svjetlo pokvareno.

Kôd pogreške:

Kada dođe do kvarova senzora temperature, prikazuje se kôd pogreške:

E1 za otvoreni krug. / E2 za kratki spoj.

BRIGA O KUPCIMA I SERVIS

Uvijek koristite originalne rezervne dijelove.

Kada kontaktirate naš ovlaštenu servisni centar, provjerite imate li na raspolaganju sljedeće podatke: Model i serijski broj.

Podaci se mogu naći na natpisnoj pločici. Podložno promjenama bez prethodne najave.

TEHNIČKI PODACI

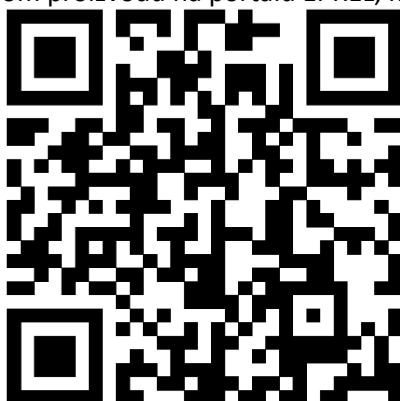
Tehničke informacije nalaze se na natpisnoj pločici na unutarnjoj strani uređaja i na energetske naljepnici.

QR kod na energetske naljepnici isporučenoj s uređajem pruža web poveznicu na informacije koje se odnose na performanse uređaja u EU EPREL bazi podataka.

Sačuvajte energetske naljepnicu za referencu zajedno s korisničkim priručnikom i svim ostalim dokumentima isporučenim s ovim uređajem.

Također je moguće pronaći iste informacije u EPREL-u pomoću poveznice <https://eprel.ec.europa.eu> i naziva modela i broja proizvoda koje pronađete na natpisnoj pločici uređaja.

Da biste pristupili informacijama o svom proizvodu na portalu EPREL, možete skenirati kodove u nastavku:



Hvala vam što ste kupili ovaj proizvod. Ako vam je potrebna podrška za vaš proizvod, posjetite našu web stranicu koristeći donje poveznice.

Nabavite korisničke priručnike: <https://www.heinner.ro>

Informacije o servisu: <https://www.heinner.ro>



Ekološki prihvatljivo odlaganje

Možete pomoći u zaštiti okoliša!

Ne zaboravite poštivati lokalne propise: predajte neispravnu električnu opremu odgovarajućem centru za zbrinjavanje otpada.



HEINNER je registrirani zaštitni znak tvrtke **Network One Distribution SRL**. Ostale robne marke i nazivi proizvoda zaštitni su znakovi ili registrirani zaštitni znakovi njihovih vlasnika.

Nijedan dio specifikacija ne smije se reproducirati u bilo kojem obliku ili na bilo koji način ili koristiti za izradu bilo kakvih izvedenica kao što je prijevod, transformacija ili prilagodba bez dopuštenja NETWORK ONE DISTRIBUTION.

Autorska prava © 2013 Network One Distribution. Sva prava pridržana.

www.heinner.com, <http://www.nod.ro>



Ovaj proizvod je u skladu s normama i standardima Europske zajednice



Uvoznik: **Network One distribucija**

Ulica Marcela Iancua, 3-5, Bukurešt, Rumunjska

Tel: +40 21 211 18 56, www.heinner.com, www.nod.ro