

# AUTOMATIC WASHING MACHINE

Model:

**HWM-HME1014IVA10+++**



- **Automatic washing machine**
- **Capacity: 10 kg**
- **Energy efficiency class: A**

**HEINNER**

## 1. INTRODUCTION

Please read the instructions carefully and keep the manual for future information.

This manual is designed to give all necessary instructions concerning installation, use and maintenance of the unit. In order to operate the unit correctly and safely, please read this instruction manual carefully before installation and use.

## 2. CONTENT OF YOUR PACKAGE

- Automatic washing machine
- User manual
- Warranty certificate

## 3. SAFETY MEASUREMENTS

### Safety precautions

- Do not operate the appliance without understanding or reading this manual. Failure to follow the instructions or improper operation may cause damage to laundry or equipment, or result in personal injury. Please keep the manual near the appliance for easy access.
- This appliance is intended to be used in household. If the appliance is used for professional, for-profit purpose or purpose exceeding normal use in a household, or if the appliance is used by a person who is not a consumer, the warranty period shall be equal to the shortest warranty period required by relevant legislation.
- This appliance is not intended for use by people (including children) with reduced physical, sensory, or mental capabilities, or lack of experience and knowledge, unless they have been given supervision or instruction concerning use of the appliance by a person responsible for their safety.
- Children should be supervised to ensure that they do not play with the appliance. Children of less than 3 years should be kept away unless continuously supervised.
- This appliance can be used by children aged from 8 years and above and people with reduced physical, sensory, or mental capabilities or lack of experience and knowledge if they have been given supervision or instruction concerning use of the appliance in a safe way and understand the hazards involved.
- Children should not play with the appliance. Cleaning and user maintenance shall not be done by children without supervision.
- The maximum capacity in some cycles for dry clothes to be used is [information missing in original].
- To connect the appliance to water supply, make sure to use the supplied water supply hose and gaskets. Water pressure has to be between 0.1–1 MPa (1–10 bar; 1–10 kp/cm<sup>2</sup>; 10–100 N/cm<sup>2</sup>). Always use a new water supply hose to connect the appliance to water supply; do not reuse an old water supply hose.
- For appliances with ventilation openings in the base, the ventilation openings must not be obstructed by a carpet. If the supply cord is damaged, it must be repaired by the manufacturer, its service agent, or similarly qualified people in order to avoid a hazard.

## Electrical safety

- This appliance complies with the relevant safety standards. Before connecting the washer to the power mains, wait for at least 2 hours until it reaches room temperature. This appliance must be repaired by an authorised service center, using only spare parts approved by authorised manufacturers.
- Any repairs or maintenance related to safety or performance should be conducted by trained professionals. Do not attempt to repair the appliance by yourself. Repairs performed by unqualified personnel may result in personal injury or more serious errors. Please consult your local service center and always insist on genuine spare parts.
- Do not attempt to operate the appliance if it is damaged, defective, partially disassembled, or has missing or damaged parts, including damaged wires or plugs. Do not excessively bend the power cord or place heavy objects on it. Do not clean the inside or outside the appliance with spray water. In case of flooding, please disconnect the power plug and contact the after-sales service center.
- Models with a drying function enable automatic shutdown of the heater to prevent overheating. The heater automatically shuts off when the temperature exceeds the safety threshold and restarts when the temperature drops below the threshold.
- Do not connect multiple power sockets, extension cords, or dual adapters to the appliance. Do not connect the appliance to the power mains using an extension cord. Do not connect the appliance to a power socket intended for an electric shaver or hair dryer. Do not connect the appliance to a power socket intended for small loads.
- Before connecting the appliance to the power supply, ensure that the electric voltage specified on the rating plate matches the voltage of your socket. The power socket must be securely grounded, and the water supply must be unobstructed.
- Do not connect the appliance to power mains using an external switching device such as a programming timer, or connect it to power mains that is regularly switched on and off by the power supply provider. Exhaust air must not be discharged into a flue designed to discharge combustion gases or other fuel exhaust gases.
- 

## Installation

- Before using the appliance, be sure to remove the packaging (sponge, polystyrene foam, etc.) attached to the bottom of the appliance. Please install the appliance correctly according to the instructions and connect it to the water and electricity supply.
- Water piping and electrical wiring should be carried out by a fully trained technician or professional. Do not install the appliance in a location where the door opening is restricted.
- Do not install the appliance where the temperature may drop below 5°C, as its parts may be damaged in case of water freezing. Place the appliance on a solid and level floor. If installed on a high platform, the appliance must be reinforced to prevent it from tipping over.
- The end of the water discharge hose should reach into a water drain line. This appliance should not be stored or used outdoors. Avoid lint accumulation near the appliance.
- Do not install the appliance near heaters or flammable materials. Do not install the appliance in an area where gas leaks may occur. Ensure good ventilation to prevent the gases generated by the appliance from flowing back into the room and causing a fire.

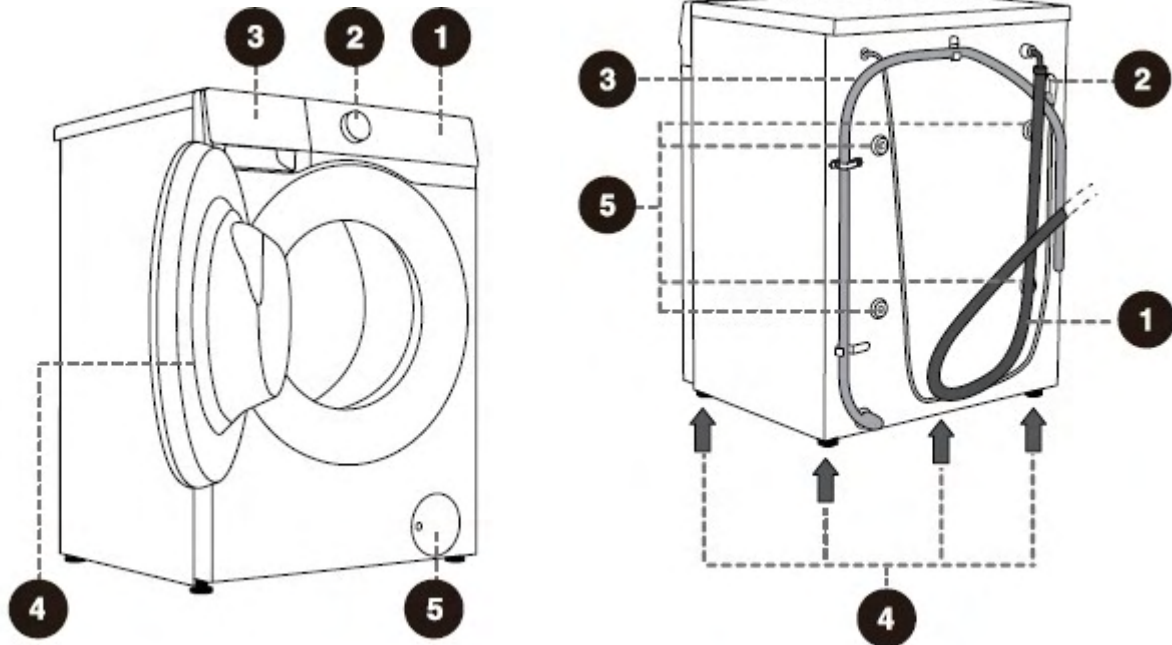


- Repair costs resulting from damage caused by incorrect connection, improper installation and use, or repairs made by unauthorised personnel are the responsibility of the user and are not covered by the warranty.
- The warranty does not cover consumables, minor colour deviations, increased noise due to appliance age that does not affect the functionality of the appliance, and aesthetic defects on components that do not affect the functionality and safety of the appliance.

## Child safety

- Before closing the washer and door and running the program, make sure there is nothing except laundry in the drum. Make sure no child climbed into the drum and closed the door from the inside. Do not leave the door open. Children may hang on the door or climb into the appliance, causing damage or injury.
- Keep all packaging materials out of the reach of children, as they may pose a danger. Keep detergent and softener out of reach of children.
- Children should be supervised to ensure that they do not play with the appliance. Children of less than 3 years should be kept away unless continuously supervised.
- This appliance can be used by children aged from 8 years and above and people with reduced physical, sensory or mental capabilities or lack of experience and knowledge if they have been given supervision or instruction concerning use of the appliance in a safe way and understand the hazards involved.
- Children should not play with the appliance. Cleaning and user maintenance shall not be done by children without supervision.

## 4. PRODUCT DESCRIPTION



### Front

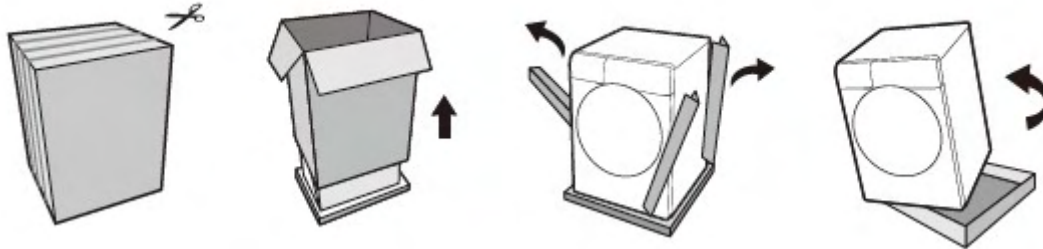
1. Control unit
2. Program selector knob
3. Detergent drawer
4. Door
5. Pump filter cover

### Back

1. Water supply hose
2. Power cord
3. Water discharge hose
4. Adjustable feet
5. Transport screws/rods

## 5. INSTALLATION

First remove all packaging and foam, especially the foam base. When removing the packaging, make sure not to damage the equipment with a sharp object. Keep the packaging materials (plastic bags, other plastic parts etc.) out of reach of children.



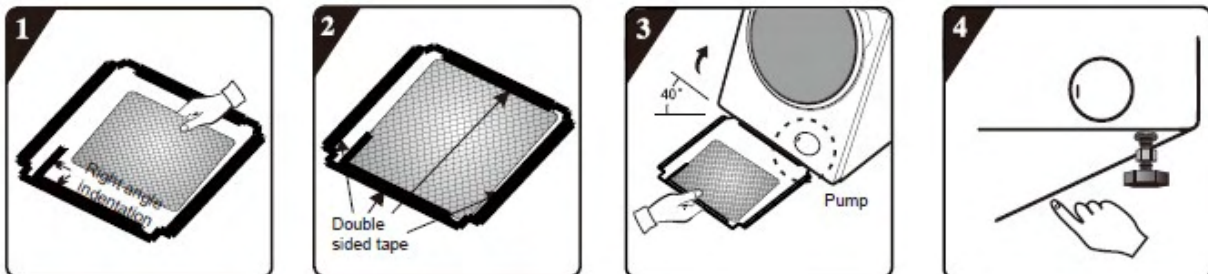
The process of packing the machine is just the opposite of unpacking above.

Check for any damage to the appliance. If you suspect the equipment is damaged, do not use it and immediately contact the service unit.

The accompanying accessories of this equipment include one or more of the following:

- User manual.
- 4 plastic plugs.
- Supply hose.
- Drain hose holder.
- Wrench.
- Noise reduction board/sponge strips/none (depending on the model).

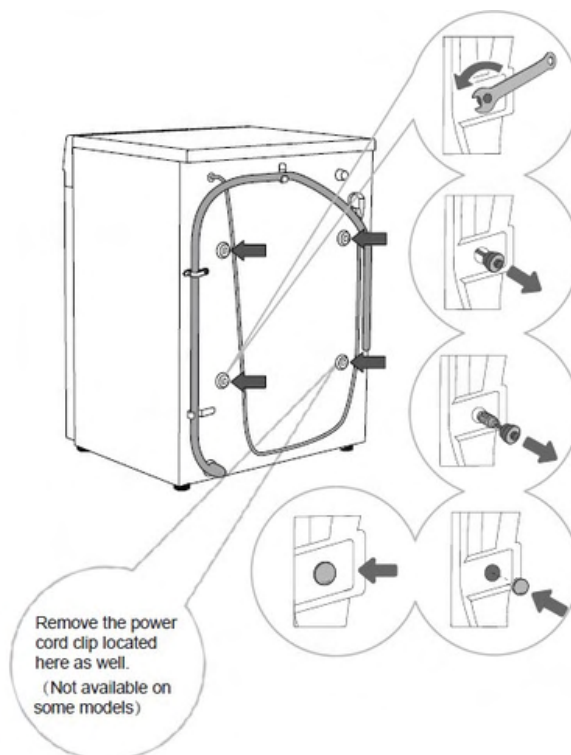
The configuration of different models is different, and the attached accessories are subject to the actual configuration of the model.



1. Before installing the noise reduction board, align and paste the acoustic absorption wool with and along the right-angle impression on the noise reduction board (this procedure is unnecessary for some of the models without acoustic absorption wool).
2. Remove surface paper on double-sided tape at four sides of the noise reduction board.
3. Incline the appliance to an angle of 40° and let the side with right-angle notch face towards the front of the washer, as shown in the figure. Insert the side with an oblique-angle notch between two foot screws at back of the washer completely in place. Then, install the noise reduction board and ensure that it contacts the bottom of the washer closely.
4. Press the double-sided tape on four sides manually to secure the noise reduction board to the appliance firmly.

## Removing the transport screws/rods

Disassemble the transport screws/rods once all packaging has been removed. A blocked appliance may be damaged when it is switched on for operation. Such damage is not covered by the warranty.

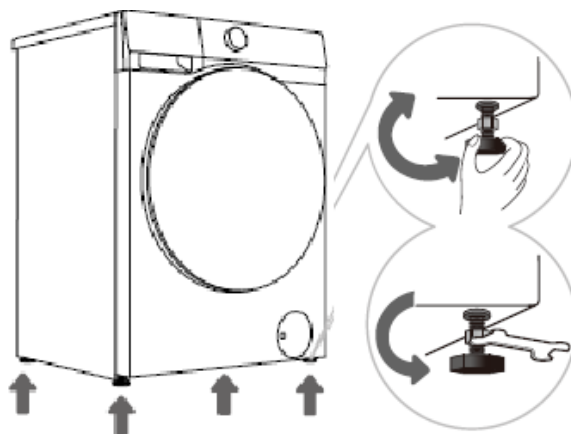


1. Move aside the water discharge hoses and use an appropriate wrench to loosen the four screws on the back in the counterclockwise direction as indicated by the arrows. Loosen the screws approximately 30 mm.
2. Pull all 4 transport screws/rods horizontally.
3. Pull out the transport screws/rods along with the rubber and the plastic parts.
4. Cover the screw holes with plastic plugs. The plastic plugs are supplied in the bag with the washer user manual (the support set).

Save the transport screws/rods in case you have to transport the appliance again later (to reinstall the transport screws/rods, follow the above procedure in reverse order).

## Adjustable feet and installation clearance

Place the appliance on a solid and level floor to keep it stable. The floor should be clean and dry; otherwise, the washer may slide. Also, clean the bottom surface of adjustable feet. Use a spirit level and a suitable wrench.

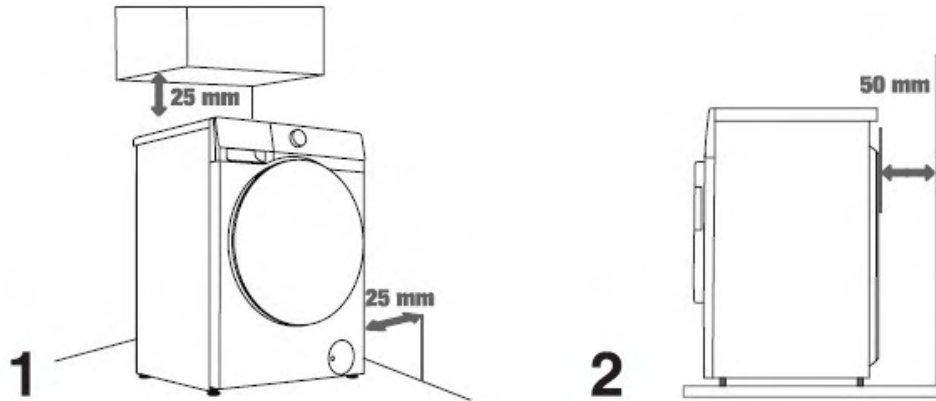


The level can be adjusted by rotating the adjustable foot. Adjustable foot support 2 cm horizontal adjustment.

After adjusting the height, tighten the lock nut counterclockwise with a suitable wrench.

Incorrect levelling of the appliance may cause vibration, appliance sliding across the room, and loud operation. The incorrect levelling of the washer is not subject to warranty.

Sometimes, unusual or louder noise may appear during appliance operation. These are mostly the result of improper installation.

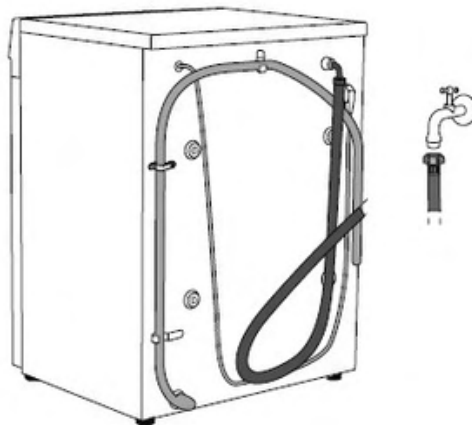


The appliance may not be in contact with a wall or adjacent furniture. For optimum washer operation, we recommend observing the clearances from the walls as indicated in the figure.

In case of failure to observe the minimum required clearances, safe and correct washer operation cannot be ensured. Moreover, overheating can also occur (Figures 1 and 2 above).

## Connection to the water supply

The supplied water supply hose varies by model. Please choose the appropriate connection method based on the actual water supply hose.



- For normal washer operation, the pressure in the water mains should be between 0.1–1 MPa (1–10 bar; 1–10 kp/cm<sup>2</sup>; 10–100 N/cm<sup>2</sup>). Minimum dynamic water pressure can be determined by measuring the water flow. In 15 seconds, 3 litres of water should flow from a fully open tap.
- Only use the water supply hose supplied with the appliance. Do not use any used or other hoses. Make sure the hose is not damaged. If the hose is degraded, brittle, or cracked, it has to be replaced. This appliance is designed for cold water only. Do not connect it to hot water.
- Tighten the water supply hose by hand to ensure proper sealing (maximum torque: 2 Nm). Check the sealing for leaks. Do not use pliers or similar tools as they may damage the nut threads.



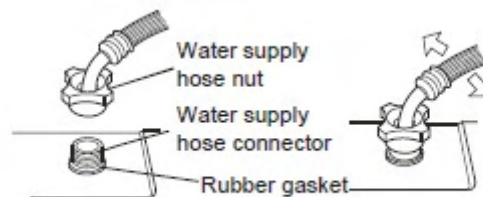
### Checking the connection between the water supply. Hose and the tap

- Gently pull the water supply hose to check if the connection is secure.
- Open the tap to check for leaks.
- The water supply hose should not be twisted or bent.
- Check the water supply hose before each use to prevent incorrect connection.



### Connecting the water supply hose to the appliance

Connect the water supply hose nut to the water supply hose connector of the appliance. Tighten the nut and shake it gently to check that it is firmly secured, as shown in the right figure.



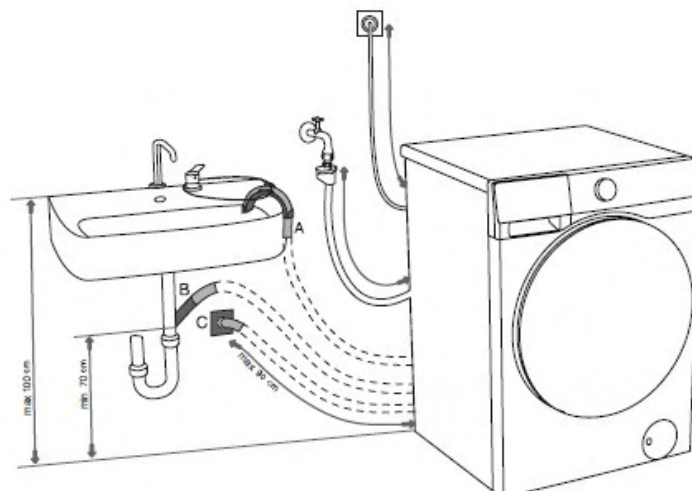
### Note:

Tighten the nut evenly. Avoid rotating the water supply hose, as this may cause damage.

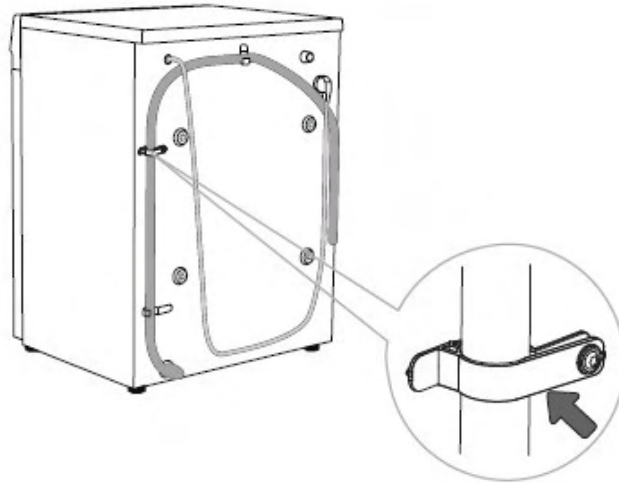
Do not remove the rubber gasket. Before each use, check that the gasket is not detached or damaged. If damaged, please contact after-sales service immediately.

### Connecting and securing the water discharge hose

Feed the water discharge hose into a washbasin or a bathtub, or connect it directly to a drain (discharge hose minimum diameter 4 cm). The vertical distance from the floor to the end of the discharge hose may be 70 to 100 cm. It can be attached in three ways (A, B, C).



- A. The discharge hose end may be placed over a sink or a bathtub. Use a string fed through the opening in the elbow support to attach the hose and prevent it from slipping to the floor.
- B. The discharge hose may also be attached directly to the sink drain. A sink that is too small is not acceptable. Be careful as the drained water may be hot.
- C. The discharge hose can also be attached to a wall drain with a trap. Such traps should be properly installed to allow cleaning.
- D. The discharge hose has to be attached to the clips on the back of the washer, as shown in the figure. These clips must not be removed as this may prevent normal washing.

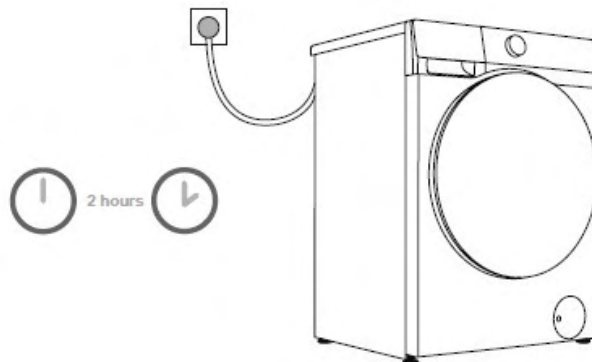


Make sure the drain hose is not damaged.

If the discharge hose is not correctly attached; safe and correct washer operation cannot be ensured.

### Connecting to power mains

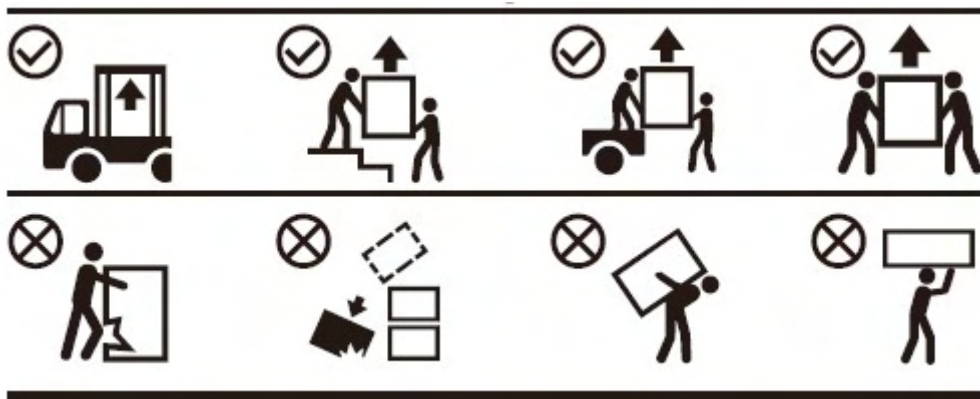
Before connecting the washer to the power mains, wait for at least 2 hours until it reaches room temperature. Connect the washer to a grounded power socket. After installation, the socket should be freely accessible. The socket should be provided with ground protection. Information on your washer is indicated on the rating plate.



- We recommend using over-voltage protection to protect the appliance in case of a lightning strike. The washer may not be connected to the power mains using an extension cord.
- Do not connect the appliance to a power socket intended for small loads.
- Do not plug or unplug the appliance when your hands are wet. Any repair and maintenance of the appliance should be performed by trained experts.
- A damaged power cord may only be replaced by a person authorized by the manufacturer.

## Transport after installation

- If it needs to transport properly installed equipment, please first unplug the power plug, turn off the faucet, remove the water inlet and drain pipes, and ensure that the detergent box and the machine door are closed in place. Be sure to reinstall the transport bolts to avoid damage to the equipment by vibration during transport. Pack all packaging materials properly (plastic bags, other plastic parts, etc.). The equipment is heavy, please carry it by at least two people. When handling, please do not grasp the protruding parts, such as the door, the top cover, etc., so as not to fall off or damage the parts.
- After transport, the equipment should be left to stand still for at least 2 hours before it is connected to the power. The equipment should be installed and connected by a trained technician.
- Please read the instructions carefully before connecting the device again. Damage caused by improper connection or improper use is not covered by the warranty.


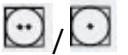


## 6. USING THE PRODUCT

### Before using the first time

- This appliance has been tested at the factory and may contain a small amount of water residue. It is recommended to run a “Drum Clean” (or other high temperature) program to remove any residual water from the drum. Connect the appliance to the power mains and open the water tap. There should not be any laundry in the drum.
- Select and start the program.
- Do not use any solvents or cleaning agents that could damage the washer (please observe the recommendations and warnings provided by the cleaning agent manufacturers).

## Laundry labels

Normal Wash Sensitive laundry	Max washing temp 95C	Max washing temp 60C	Max washing temp 40C	Max washing temp 30C	Hand wash only	Do not wash
						
Bleaching	Bleaching in cool water			Bleaching not allowed		
						
Dry cleaning	Dry cleaning agents	Petroleum solvent, R11, R113	Dry cleaning in kerosene, pure alcohol and R113		Dry cleaning not allowed	
						
Ironing	Hot ironing, max 200C	Hot ironing, max 150C		Hot ironing, max 110C	Ironing not allowed	
						
Drying	Dry flat (place on a surface)	Dry dip/ Line dry		High temp	Do not tumble	
						

## Preparing the washing process

- Sort the laundry by type of fabric (cotton, blends, silk, wool, etc.), care label instructions, colour (white, coloured), and soiling.
- Empty pockets; remove metal items that may damage the laundry or appliance; fasten buttons and turn clothing with buttons or embroidery inside out; close all zippers; tie strings on clothing with drawstrings.
- Place sensitive clothes and small or lightweight items in a special-purpose laundry washing bag and wash them together with other laundry.
- Turn items prone to pilling or long-pile fabrics inside out before washing.
- Stains that are left for too long can be difficult to remove. Treat soiled areas such as cuffs and collars before washing (see chapter "Stain Removal Tips").
- Do not wash heavy comforters, plush toys, or items in laundry washing bags separately in the drum to avoid.



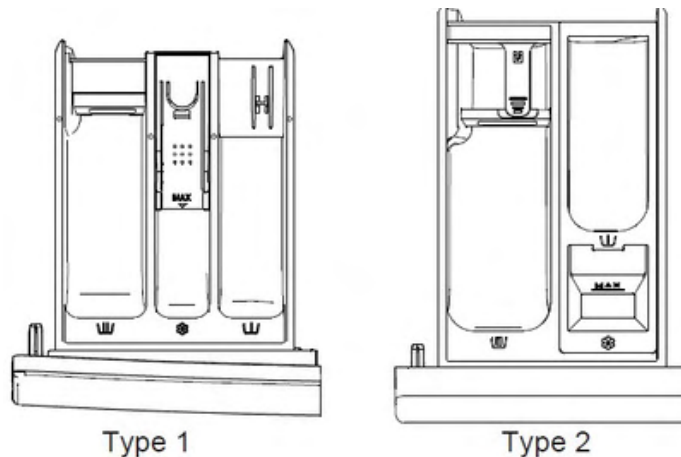
### Non-washable and non-dryable laundry

Leather and fur products (risk of deformation)

Rayon and its blended products (risk of discolouration or deformation)


Large thick rubber cushions (risk of damage or malfunction) Hats with hard materials (risk of washer damage and malfunction) Cushions, pillows, articles with cotton wadding, foam and other sponge materials, carpet covers (risk of damage or malfunction). Others: Wrinkled or embossed clothes; coated down jackets; crepe fabrics; easily deformed clothes (suits, jackets, ties, dresses, etc.); easily fluffing clothes (velvet, cotton flannel). Non-washable and non-dryable laundry includes but is not limited to the above items.

## Adding detergent/softener



Detergent drawer	
	Prewash the dispenser compartment
	Main wash the dispenser compartment
	Softener dispenser compartment

### Precautions for use

1. Always use a high-efficiency, neutral, low-foaming detergent suitable for this appliance. The amount of detergent depends on the type, soil level, laundry colour, and washing temperature. Please add the appropriate amount according to the detergent manufacturer's dosage instructions.
2. Excessive amounts of detergent may result in foaming that in turn impairs washing efficiency. If excessive foam is detected, the appliance may pause the program for defoaming.
3. Using insufficient detergent may result in poor washing effect and could lead to scale buildup in the drum and water pipes.
4. We recommend adding powder detergent right before the wash cycle starts. If added in advance, ensure the detergent dispenser compartment is completely dry; otherwise, the powder detergent may harden and clump before the wash cycle starts.
5. Do not use liquid detergent when selecting the "Delay" or "Prewash" function (if available) as it will be dispensed immediately and may become sticky in the dispenser compartment or drum.
6. Do not allow detergent to harden, as this may lead to blockages, poor rinsing, or unpleasant odours.
7. Pour softener into the compartment marked with"  "and follow the usage recommendations on the softener packaging. Do not exceed the MAX line in the softener compartment, as this may cause premature release of softener, resulting in poor washing effect.
8. Keep detergent and softener out of reach of children.
9. Corrosive descaling agents may damage the appliance. Do not use solvents. Do not wash the laundry that was cleaned with solvents or flammable substances.
10. White residues (streaks etc.) on black laundry may appear if you are using modern phosphate-free detergents. In such case, brush the streaks and use a liquid detergent.

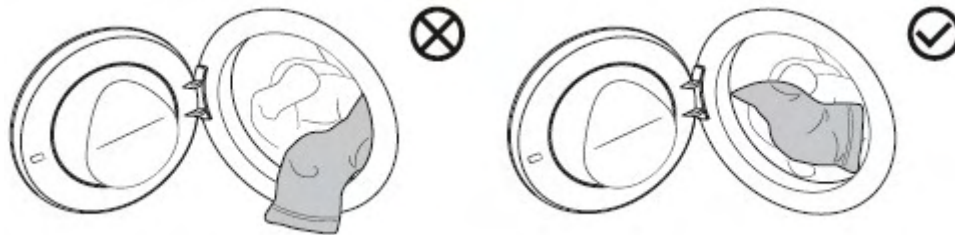
11. Before starting the program, gently close the detergent drawer. Forceful closing may cause detergent to spill into other dispenser compartments or to be dispensed too early into the drum. Be careful not to pinch your fingers when closing the drawer. 12. A small amount of water may remain in the dispenser compartment at the end of the program cycle.

### Loading the washing machine

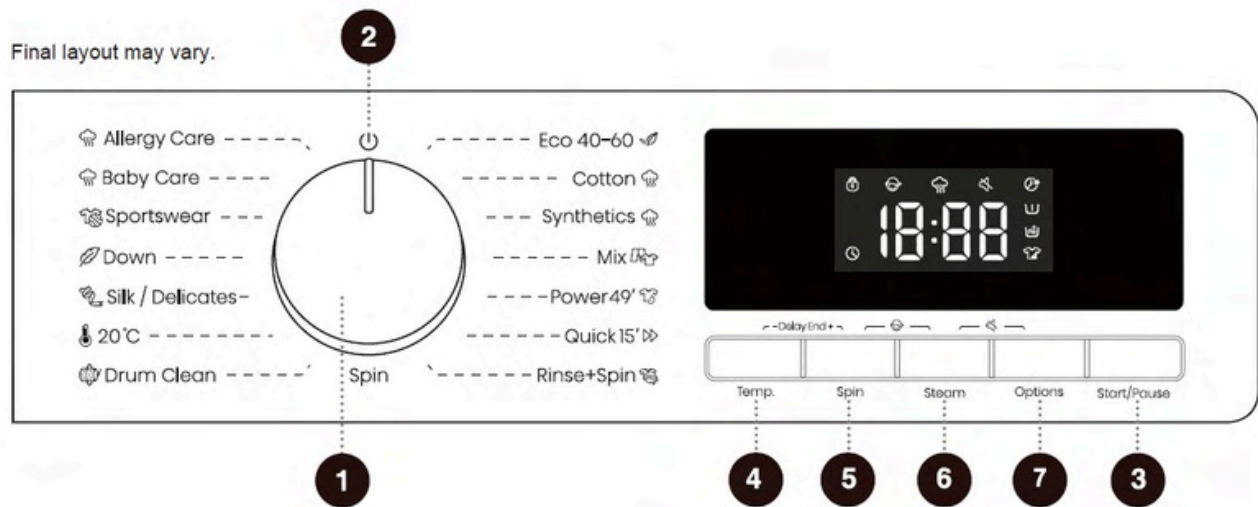
Open the washer door, and insert the laundry loosely into the drum after making sure the drum is empty. Close the washer door. The door is closed when you hear a click.

Do not overload the drum! For maximum load, see "PROGRAM TABLE". If the washer drum is too full, the laundry will not be washed thoroughly.

Ensure the laundry is completely placed into the drum to prevent it from getting caught in the door.



## 7. PROGRAMS



### 1. Cycle Selector

Rotate the knob to select a desired program.

### 2. Power

Switch on/off the appliance.

### 3. Start/Pause

Start/pause the program

### 4. Temp.

Select the washing temperature.

### 5. Spin

For adjusting the spinning rate.

### 6. Steam

Steam function for turning on/off the program.

### 7. Options

Press this button to select extra functions.

#### 4+5. Delay End

Schedule washing at a convenient time.

#### 5+6. Child Lock

Press and hold both buttons simultaneously to enable/disable the child lock.

#### 6+7. Mute

Press and hold both buttons simultaneously to enable/disable the mute mode.

### Program table

Power on the device, choose the program by rotating the main knob (depending on the type of laundry and how heavily soiled it is). During operation, the main knob will not rotate automatically.

<b>Eco 40-60</b>	
Washing temperature	-
Maximum dry laundry amount	10 kg
Spin speed selection(rpm)	1400
Laundry type / descriptions	It is suitable for general dirt level soiled laundry.
<b>Cotton</b>	
Washing temperature	(-, 20°C, 30 °C, 40°C, 60°C, 90°C)
Maximum dry laundry amount	10 kg
Spin speed selection(rpm)	1400
Laundry type / descriptions	It is suitable for washing moderately or heavily soiled cotton or linen fabrics.
<b>Synthetics</b>	
Washing temperature	(-, 20°C, 30°C, 40°C, 60°C)
Maximum dry laundry amount	3.5 kg
Spin speed selection(rpm)	1200
Laundry type / descriptions	It is suitable for washing moderately soiled synthetic fibers or cotton fabrics.
<b>Mix</b>	
Washing temperature	(-, 20°C, 30°C, 40°C)
Maximum dry laundry amount	3.5 kg
Spin speed selection(rpm)	1200
Laundry type / descriptions	It is suitable for lightly or moderately soiled cotton, and synthetic fabrics.
<b>Power 49'</b>	
Washing temperature	(-, 20°C, 30°C, 40°C)
Maximum dry laundry amount	2.5 kg
Spin speed selection(rpm)	1200
Laundry type / descriptions	It is suitable for washing a small amount of heavy soiled laundry, a short time for strong washing.
<b>Quick 15'</b>	
Washing temperature	(-, 20°C, 30°C, 40°C)
Maximum dry laundry amount	1 kg
Spin speed selection(rpm)	800
Laundry type / descriptions	It is suitable for a small load of laundry or lightly soiled laundry. Changing the default settings will extend the washing time.
<b>Rinse + Spin</b>	
Washing temperature	-
Maximum dry laundry amount	10 kg
Spin speed selection(rpm)	1400
Laundry type / descriptions	It is suitable for rinsing and spinning laundry separately. Do not add detergent for this program.
<b>Spin</b>	
Washing temperature	-
Maximum dry laundry amount	10 kg
Spin speed selection(rpm)	1400
Laundry type / descriptions	It is suitable for spinning laundry separately. Do not add detergent or softener for this program.
<b>Drum Clean</b>	
Washing temperature	(90°C)
Maximum dry laundry amount	-
Spin speed selection(rpm)	800
Laundry type / descriptions	It is used to clean the drum and remove any residues of detergent and bacteria that can accumulate and develop, especially when using low temperature programs. Do not add detergent or softener for this program.

<b>20°C</b>	
Washing temperature	(20°C)
Maximum dry laundry amount	10 kg
Spin speed selection(rpm)	1400
Laundry type / descriptions	It is suitable for lightly or moderately soiled laundry to achieve energy saving and environmental protection.
<b>Silk / Delicates</b>	
Washing temperature	(--, 20°C, 30°C, 40°C)
Maximum dry laundry amount	2 kg
Spin speed selection(rpm)	600
Laundry type / descriptions	It is suitable for washing machine-washable silk fabrics (refer to laundry label requirements). Softener is not recommended for this program
<b>Down</b>	
Washing temperature	(--,20°C,30°C,40°C)
Maximum dry laundry amount	2 kg
Spin speed selection(rpm)	600
Laundry type / descriptions	It is suitable for machine washable items filled with synthetic fibers, such as pillows, mattresses and bedspreads, as well as items filled with down.
<b>Sportswear</b>	
Washing temperature	(--,20°C,30°C,40°C)
Maximum dry laundry amount	2.5 kg
Spin speed selection(rpm)	1000
Laundry type / descriptions	It is suitable for washing machine washable sportswear clothing.
<b>Baby Care</b>	
Washing temperature	(40°C, 60°C, 90°C)
Maximum dry laundry amount	2 kg
Spin speed selection(rpm)	1200
Laundry type / descriptions	It is suitable for baby clothes and underwear, etc., sterilised and disinfected through high temperature steam. Softener is not recommended for this program.
<b>Allergy Care</b>	
Washing temperature	(60°C)
Maximum dry laundry amount	2 kg
Spin speed selection(rpm)	1200
Laundry type / descriptions	It is suitable for washing high temperature resistant, not easy to fade clothes, through high temperature to remove pollen, mites, parasites and other allergens

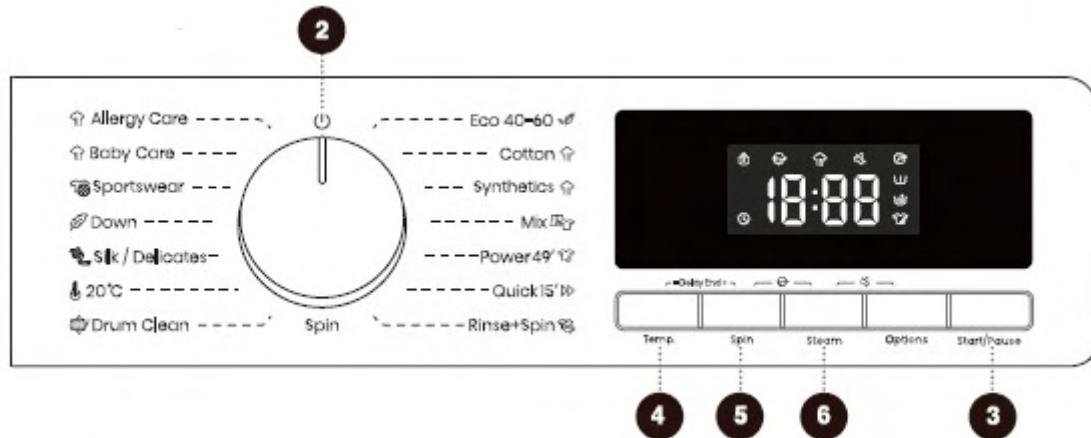
(1) Water Temperature: Select the appropriate water temperature for the chosen washing program. Always follow garment manufacturer's care label or instructions when washing to avoid damage to clothes. (2) Actual water temperature may differ from the declared cycle temperature. (3) The test results depend on water pressure, water hardness, water inlet temperature, room temperature, laundry type and amount of load, degree of soiling, utilized detergent, fluctuations in the power supply and chosen additional options. (4) Overloading the laundry during the washing cycle may reduce washing efficiency, as the appliance initially detects a lower weight and uses less water. Insufficient water may also cause damage to the laundry and extend the washing time. (5) Drum Clean (if available): Make sure the drum is empty before using the Drum Clean program. It is recommended to run it at least once a month. (6) When descaling, only use descaling agents with added anti-corrosion protection. (Only use non-corrosive descaling agents. Follow the manufacturer's instructions.) Finish the descaling process by running "Drum Clean" (or other high temperature) programs several times in order to remove any residual descaling agent. It is recommended to cancel at least once every six months. The maximum or nominal load applies to laundry prepared pursuant to the IEC 60456 standard. For better washing effect, we recommend loading the drum to 2/3 when using the cotton programs.

## Functions

Most programs feature basic settings, but these settings can be changed. Adjust the settings by pressing the relevant function button (before pressing the START/PAUSE button).

Certain settings cannot be selected with some programs. Such settings will not be lit, and when the corresponding button is pressed, an acoustic signal will be emitted, and the button will flash

The additional settings and functions can only be set in the standby mode, that is, before the program starts running, and cannot be selected after the program runs.



### 2. Power

Switch on/off the appliance.

To stop the program during operation, turn the program knob to " " to shut down.

In the standby state or after the program ends, the appliance will automatically shut down if no operations are performed for a period of time.

### 3. Start/Pause

Start/pause the program.

If the door is not closed or locked, an alarm will be displayed on the screen after pressing "Start".

### 4. Temp.

Change the temperature for the selected program. Each program has a preset temperature.

Press this button before starting the program to display the current setting temperature. Press it again to scroll through the preset temperature values (--indicates cold wash). The heating temperature can vary by program.

### 5. Spin

Adjust the spinning rate before starting the program. Press this button to display the current spin spinning rate. Press it again to scroll through the preset values.

### 6. Steam

This function can generate steam, reduce or eliminate wrinkles, and make clothes more comfortable.

Press this key to turn on / off the function



## 7. Options

Press this button to select Program extra functions. Only one function can be set each time you press. After the function is selected, the corresponding icon lights up or flashes.

### Quicker

This function can reduce the washing time of the program and speed up the washing process. For programs with automatic weighing, cancel automatic weighing after selecting this function, and resume automatic weighing after deselecting.

### Pre-wash

This function can increase the pre-washing process before the main washing stage to enhance the washing effect.

When selecting the Prewash function, add detergent to the pre-wash dispenser compartment of the detergent box.

### Extra Rinse

This function can increase the number of rinses for an additional program.

### Intensive


This function can increase the washing time and enhance the washing intensity.

## 4+5. Delay End

Schedule washing at a convenient time.

After selecting the program and functions, set the Delay option. Press and hold the "Temp. +Spin" button. Then, the reservation function is enabled and press Temp. or Spin function button, can reduce or increase the appointment time. Each press changes the time by 1 hour, with a maximum time of 24:00.

The Delay time is the end time of the program, that is, it includes the entire program running time. So, the Delay time must be greater than the program running time. When the

Delay function is activated, the " " icon on the screen lights up or flashes. Once the Delay function is finished, the icon goes out.


If the Delay function is selected before the program starts, it can be disabled by choosing a different program or function.

To disable the Delay function after the program starts, the appliance must be switched off and restarted.



## 5+6. ChildLock


The appliance features a child lock to prevent accidental operation by children and ensure their safety.

Press and hold the "Spin+Steam" buttons simultaneously to activate the child lock. The child lock icon " " lights up. Repeat the same operation to deactivate the child lock. When the Child Lock is set, all buttons except the power are locked.

After completing the program, the child lock will be automatically released.

## 6+7. Mute

Switch off all acoustic signals except for alarms to minimize noise.


When the appliance is in standby, paused, or running mode, press and hold the "Steam+ Options" buttons simultaneously, the "

Repeat the same operation to deactivate the mute function and restore all acoustic signals

## 12. Display

It is used to display the remaining time, appointment time, fault code and other related information of the program.

Icon description

 Door lock indicator icon. The door lock indicator icon lights up, and the door is locked. Do not force the door open to avoid injury.

## Function table

Program	Temp	Spin	Steam	Quicker	Pre-Wash	Extra-Rinse	Intensive	Delay End	Child lock	Mute
Eco40-60	-	●	-	-	-	-	-	●	●	●
Cotton	●	●	●	●	●	●	●	●	●	●
Synthetics	●	●	●	●	●	●	●	●	●	●
Mix	●	●	-	●	●	●	●	●	●	●
Power49'	●	●	-	●	●	●	-	●	●	●
Quick 15'	●	●	-	-	-	●	-	●	●	●
Rinse+Spin	-	●	-	-	-	●	-	●	●	●
Spin	-	●	-	-	-	-	-	●	●	●
DrumClean	-		-	-	-	-	-	●	●	●
20C	-	●	-	-	●	●	●	●	●	●
Silk/Delicates	●	●	-	-	-	●	-	●	●	●
Down	●	●	-	-	-	●	-	●	●	●
Sportswear	●	●	-	-	●	●	●	●	●	●
Baby Care	●	●	○	●	●	●	●	●	●	●
Allergy Care	-	●	○	-	●	●	●	●	●	●

- Optional functions
- Non-selectable functions
- Non-cancellable built-in default functions

## Starting and ending program

Once you have selected the program and extra functions, and added the detergent into the detergent drawer, press the "Start/Pause" button to start the program.



Once you have pressed the "Start/Pause" button, you cannot change any settings except to enable/disable Child Lock and Mute (if available) and adjust the Water Level (if available). When the program starts, "----" appears on the screen to indicate that the laundry is being weighed.

After the start of the program has started, the icon "🔒" is lit on the screen. When the program is completed, the icon disappears. If you press the "Start/Pause" button during the program operation, and all conditions are met for you to open the door, the icon "🔒" will go out as well.

If this icon does not disappear, this means that the door cannot be opened. In such case, do not attempt to open the door by force.

If the time on the screen flashes when the program is paused, check to ensure the door is properly closed, and press the "Start/Pause" button to resume the program.

An acoustic signal will indicate the end of the program. The display will read "End". The appliance will automatically shut down if no operations are performed for a period of time.

1. Switch off the appliance.
2. Close the water tap.
3. Unplug the power cord from the socket.
4. Close the washer door.
5. Take the laundry from the drum.

Some programs automatically detect the laundry weight before washing and adjust the program duration accordingly.

## Interruptions and changing the program

### INTERRUPTION THE PROGRAM

To stop or cancel the program during operation, you must switch off the appliance.

### CHANGING THE PROGRAM

To change the program during operation, switch the appliance off and on again, select the desired program and extra functions, then press the Start/Pause button to start the new program.

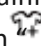
### PAUSE THE PROGRAM

You can stop the program at any time by pressing the "Start/Pause" button. When the remaining program time flashes on the screen, the program is temporarily paused. If the following conditions are met, the door lock is released and allows you to open the door:

1. The temperature inside the drum must be safe.
2. The water in the drum must be below a certain level.

To resume the program, close the door and press the “Start/Pause” button. When the washing program is paused and then restarted; it will continue from the point where it was paused. When the spinning program is paused and then restarted, it will start from the beginning of the spinning cycle.

### ADDING LAUNDRY DURING PROGRAM OPERATION

To add laundry during program operation, wait until the water level and temperature inside the drum are below a predefined threshold. Press the “Start/Pause” button to pause the program; the remaining time flashes on the screen, and the Door Lock icon goes out (on some models, the “Add Laundry” icon  lights up).

You can then open the door to add laundry. If the door lock icon is active, the conditions for opening the door are not met, and you cannot add laundry during program operation.

If a significant amount of extra laundry is added during washing and the water level is insufficient, the cleaning effectiveness may decrease, as the appliance calculates water intake based on the initial weight of the laundry. Insufficient water may also cause damage to the laundry due to friction, and the washing time will be extended.

### FAULT

In case of a fault, the program will be interrupted.

Flashing signal lights and an acoustic signal will warn about such occurrence (see chapter FAULT CODES AND TROUBLESHOOTING), and the fault code (FXX) will be indicated on the screen.

### POWER SUPPLY FAILURE

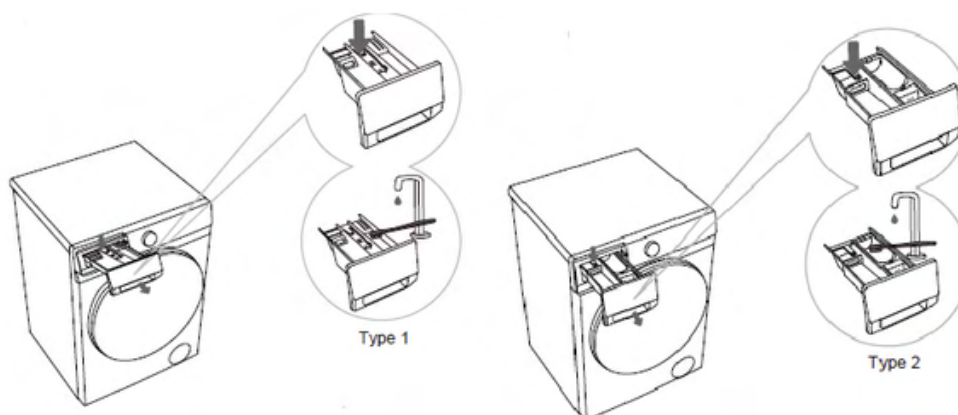
In case of a power supply failure (power outage), the washing program is interrupted. When the power supply is restored, the program is resumed from the point where it was interrupted.

If there is still water in the appliance after a power outage, do not open the door until you have manually drained the water using the pump filter.

## 8. MAINTENANCE AND CLEANING

Regular maintenance can extend the service life of the appliance. Before maintenance, unplug the washer from the power mains and close the water tap. Children should not clean the washer or perform maintenance tasks without proper supervision.

### Cleaning the detergent drawer

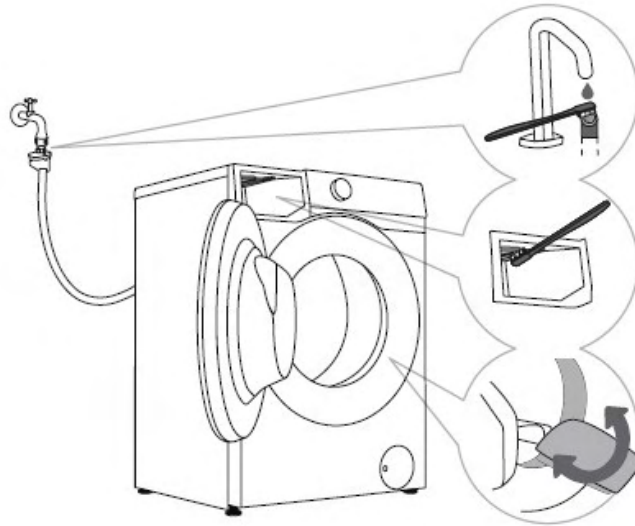


1. Press the limit lever and pull out the detergent drawer. (Refer to the position indicated by the arrow in the left diagram)

2. Clean the detergent drawer with a brush and rinse it with running water and then wipe dry. Remove any detergent residue from the bottom of the housing. Then put the detergent drawer back in place.

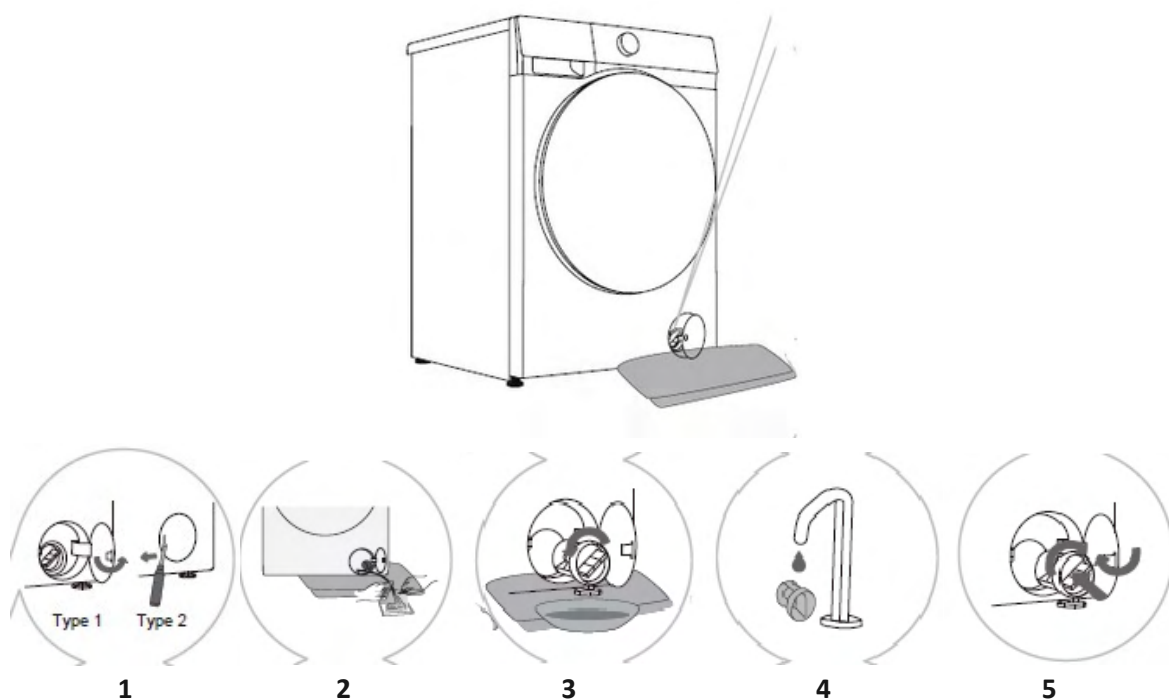
**Do not wash the detergent drawer in a dishwasher.**

### Cleaning the water supply hose, detergent dispenser housing, and rubber door gasket



1. Clean the water supply hose filter regularly. Use a brush to clean the entire detergent dispenser housing, especially the nozzles on the top. After every wash, wipe the rubber door seal to extend its
2. life cycle. To prevent mould growth on the seal, leave the door slightly open after washing to allow moisture to evaporate before closing the door.
- 3.

### Cleaning the pump filter



1. Open the pump filter cover. Type 1: Press the pump filter cover to pop it open. Type 2: Use a suitable tool (flathead screwdriver or similar) to open the pump filter cover. (The type varies depending on the model.)
2. Place a towel under the filter cover. If the appliance is provided with a drain hose, place the end of the hose into a container. Rotate the drain hose plug until it loosens and remove it to allow the water to drain naturally. Then reinstall the drain hose plug. If no drain hose is equipped, place a container under the pump filter. (The type varies depending on the model.)
3. Slowly rotate the pump filter counterclockwise. Pull out the pump filter to allow the water to drain slowly.
4. Clean the pump filter under running water.
5. Reinstall the pump filter as shown in the figure and tighten it by rotating it clockwise. For a good seal, the filter gasket surface should be clean.

The pump filter must be timely cleaned, especially after washing very fleecy, woolly, or very old laundry. Also clean the pump filter if the appliance cannot start the spinning cycle or when there is debris in the pump (buttons, coins, hair pins or clips etc.).

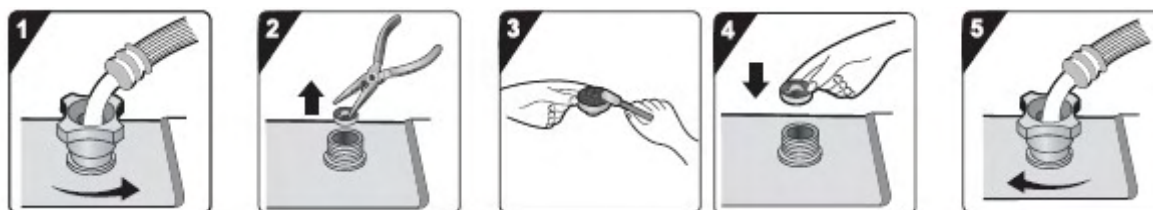
Do not open the pump filter while the appliance is running. Do not operate the appliance until the pump filter is securely installed to avoid leaks or malfunctions.

## Cleaning the inlet filter

Check and clean the inlet filter regularly.

Clean the inlet filter immediately if the water supply is slow.

Operation procedures are as follows:



1. Close the water tap and unscrew the water supply hose.
2. Remove the inlet filter.
3. Reinstall the inlet filter.
4. Clean the inlet filter.
5. Connect the water supply hose. Open the water tap and ensure there are no leaks at the connection.

The inlet filter collects impurities and sediment from the water supply. It is recommended to clean it at least every six months, or more frequently if you have hard water or notice scale buildup.

## Cleaning the exterior

Always disconnect the washer from the power mains before cleaning.

Clean the washer exterior and display unit using soft, damp cotton cloth and water. Then, use soft, dry cloth to wipe the appliance dry.

Do not use any solvents or cleaning agents that could damage the washer (please observe the recommendations and warnings provided by the cleaning agent manufacturers).

Clean the appliance door with a damp cloth, and then wipe it dry with a soft, dry cloth.

Do not use excessive water to clean the appliance.

## 9. TROUBLESHOOTING

Fault phenomen	Recommended contrermeasures
Machine fails to start	<p>Check whether the power cord is plugged into the socket and whether the socket is working functionally (by testing it with another appliance).            Check whether the door is properly closed.            Check whether the "Start/Pause" button is pressed.</p> <p>Machine stops during normal operation            Check whether the door is properly closed. Close the door and press the "Start/Pause" button.            Check for excessive foam. The appliance may pause the program for defoaming. After the defoaming process, the appliance will automatically resume operation.            Check whether safety protection has been activated.</p>
Time displayed at the start of the program increases or decreases	<p>This is the adaptive adjustment of the appliance to the factors that influence the washing time.            Excessive foam.            Unbalance caused by large laundry.            Extended heating time due to low water intake temperature.            As a result of these factors, the remaining time displayed is recalculated and updated accordingly (if the appliance is making an unbalance adjustment, the time displayed remains unchanged).            In addition, the appliance detects the load during the water supply and adjusts the program time accordingly (fuzzy control).</p>
Residual detergent or other additives in the detergent drawer after washing	<p>Check whether the detergent drawer is correctly installed and kept clean.            Check whether the water pressure is normal and whether the inlet filter is clogged</p>
Odour in the machine	<p>The odour may be caused by the rubber materials inside the appliance. It is the rubber smell, which dissipates after a few uses.</p>
Abnormal sound/noise during washing	<p>Foreign objects such as keys, coins or pins may have fallen into the drum.            Stop the appliance and check for foreign objects in the drum.            If the noise persists after restarting, please contact after-sales service. Laundry may be unevenly distributed in the drum.            Pause the program, unlock the door, and redistribute the laundry.</p>
Intense vibrations during spinning	<p>Check whether the appliance is level and whether all four feet are firmly seated on the floor.            Check whether the transport screw/rods have been removed.            Transport screw/rods must be removed before using the appliance.            Check whether all foam supports have been removed from the bottom of the appliance.</p>
Poor spinning effect	<p>The appliance is equipped with a balance detection and correction system.            After detecting imbalance caused by heavy laundry (e.g., bathrobes) and several spinning attempts, the system automatically reduces the spinning rate or even stops the spinning process to protect the appliance.            If the laundry is still very wet after spinning, take the laundry out of the drum, shake it loose, and then select the spinning progra again.            Excessive foam may impair the spinning effect. Make sure to use an appropriate amount of low-foaming detergent.            Check whether the spinning rate is set to "0" or "No Spin".</p>

Water leakage	<p>Leak from the water supply hose. Check the connection between the tap and the water supply hose connector for leaks. If there is a leak, wrap sealing tape around the end of the tap or replace the tap.</p> <p>It is recommended to check the connection between the water supply hose connector and the inlet valve for tightness.</p> <p>Tighten the connection to eliminate leaks.</p> <p>Leak from the drain hose.</p> <p>For top-drain models, the drain hose clips must not be removed as this will result in a continuous water discharge. Leak from the detergent drawer.</p> <p>The detergent drawer is not closed tightly.</p> <p>Push the handle to close the detergent drawer tightly.</p> <p>Leak from the door seal.</p> <p>Check the door seal for foreign objects and clean if necessary.</p>
Wrinkled laundry	<p>The laundry is not removed promptly from the drum.</p> <p>After the wash cycle is completed, remove the laundry from the drum promptly.</p> <p>The appliance is overloaded.</p> <p>The drum should not be full of laundry and the door should be easy to close. The spinning rate is too high. Set a suitable spinning rate for the type of laundry.</p>

## Fault codes

Description	Possible Cause	Solution
<b>F01</b>	Water inflow fault	<p>Check the following:</p> <ol style="list-style-type: none"> <li>1. Is the water tap open? Is the pressure too low?</li> <li>2. Is the water supply hose pinched?</li> <li>3. Is the Inlet filter clogged?</li> <li>4. Is the water supply hose frozen?</li> </ol> <p>After troubleshooting is finished, press the "Start/Pause" button to continue operation.</p>
<b>F03</b>	Water discharge fault	<p>Check the following:</p> <ol style="list-style-type: none"> <li>1. Is the drain hose pinched? Does the water flow through the hose?</li> <li>2. Is the filter on the drain hose clogged?</li> <li>3. Is the drain hose frozen?</li> </ol> <p>After troubleshooting is finished, press the "Start/Pause" button to continue operation.</p>
<b>F24</b>	Overflow	<p>Pause and restart the program.</p> <p>If the appliance continues to overflow, close the water tap and contact a service technician</p>
<b>F13</b>	Door locking fault	<p>The door is closed, but it cannot be locked.</p> <p>Switch the appliance off and on again. Then restart the washing program.</p> <p>If the fault persists, contact a service technician.</p>
<b>F14</b>	Door unlocking fault	<p>The door is closed, but it cannot be unlocked.</p> <p>Switch the appliance off and then back on. If the fault persists, contact a service technician.</p>
<b>Other</b>	Electronic module fault	<p>Switch the appliance off and then back on.</p> <p>Restart the washing program.</p> <p>If the fault persists, contact a service technician.</p>
<b>Unb</b>	Unbalance alarm	<p>Unbalance alarm shall be solved by the following methods: 1. Laundry tangling</p>

		<p>If the laundry is tangled, first switch off the appliance, open the door, shake the laundry loose and put it back in the drum. Then close the door and select the spinning program again.</p> <p>2. Underweighted laundry Switch off the appliance, open the door and load additional laundry (or one or two towels). Then close the door and select the spin program again.</p>
--	--	---

### Before calling a service technician

When you contact the service centre, please specify your appliance model. The model, code / ID, type and serial number are indicated on the nameplate of the appliance. In case of a defect, only use spare parts approved by authorised manufacturers. Repairs or warranty claims due to incorrect connections or misuse of the appliance are not covered by the warranty. In such cases, the cost of repairs shall be borne by the user.

### Usage recommendations

When washing colored clothes for the first time, wash them separately by color. Wash heavily soiled laundry in smaller amounts, with increased powder detergent or a Prewash cycle (if available). Apply a special-purpose stain remover on stubborn stains before the wash. We recommend referring to "stain removal tips".

If you often wash laundry at low temperatures and with liquid detergents, bacteria may develop and cause odour in the washer. To prevent such odour, we recommend running "Drum Clean" (or other high-temperature programs) from time to time.

We recommend avoiding washing very small amounts of laundry as this will lead to excessive use of energy and poor washer performance.

Loosen any folded or tangled laundry before putting it into the drum.

Only use detergents for washer.

If water hardness exceeds 14° dH, water softeners should be used. Heater damage resulting from incorrect use of water softeners shall not be covered by the warranty. Check the information on water hardness with your local water supply company or authority.

Use of chlorine-based bleaches is not recommended as they can damage the heater.

If you use a descaling agent, bleach, or dye, only use the kind that is suitable for use in the appliance. Do not use solvents or similar chemicals (e.g., paint thinner, turpentine, gasoline).

Do not add hardened lumps of powder detergent into the detergent dispenser as this may clog the piping in the washer.

Powder or liquid detergents should be added according to the manufacturer's instructions, washing temperature, and selected program.

When using concentrated liquid laundry care products, we recommend diluting them with water to prevent clogging the detergent drawer drain.

Liquid detergent is suitable for washing programs without a prewash cycle.

Exercise caution to avoid mixing detergent and softener.

At high spinning rates, there will be less residual moisture in the laundry. As a result, drying in a tumble dryer will be more economical and faster.

### Consumption table

1. The Eco40-60 program is able to clean normally soiled cotton laundry declared to be washable about 40°C to 60°C together in the same cycle, and that this program is used to assess compliance with the EU eco design legislation.
2. The power consumption of the off mode is 0.49W.
3. The most efficient programs in terms of energy consumption are generally those that perform at lower temperatures and longer duration.

4. Loading the household washing machine up to the capacity indicated by the manufacturer for the respective programs will contribute to energy and water savings.
5. Correct use of detergent, softeners and other additives. Do not apply excessive detergent. This may affect the washing results adversely.
6. Periodic cleaning, including optimal frequency, and limescale prevention and procedure.
7. Noise and remaining moisture content are influenced by the spinning speed: the higher the spinning speed in the spinning phase the higher the noise and the lower the remaining moisture content.
8. The product information and QR code are reflected in the energy consumption label. The product registration information can be obtained by scanning the QR code.
9. The information of standard programs

Program	Rated Capacity	Selected temp	Max temp	Program duration	Energy consumption (kWh/cycle)	Water consumption (liters/cycle)	Remaining moisture content (%)	Spinning (rpm)
Eco 40-60	7 kg	-	237C	03:28	0.638	48	53	1400
Eco 40-60 ½ load	3.5 kg	-	33C	02:42	0.380	35	53.9	1400
Eco 40-60 ¼ load	2 kg	-	23C	02:40	0.235	25	55	1400
Cotton	7 kg	20C	20C	01:50	0.120	66	68	1000
Cotton	7 kg	60C	52C	03:38	1.060	100	58	1400
Synthetics	3.5 kg	40C	40C	02:19	0.650	65	38	1400
Quick 15	1 kg	20C	20C	00:15	0.040	23	75	800

The values given for programs other than the Eco 40-60 program are indicative only.

Maximum or nominal load applies to laundry prepared pursuant to the IEC 60456 standard.

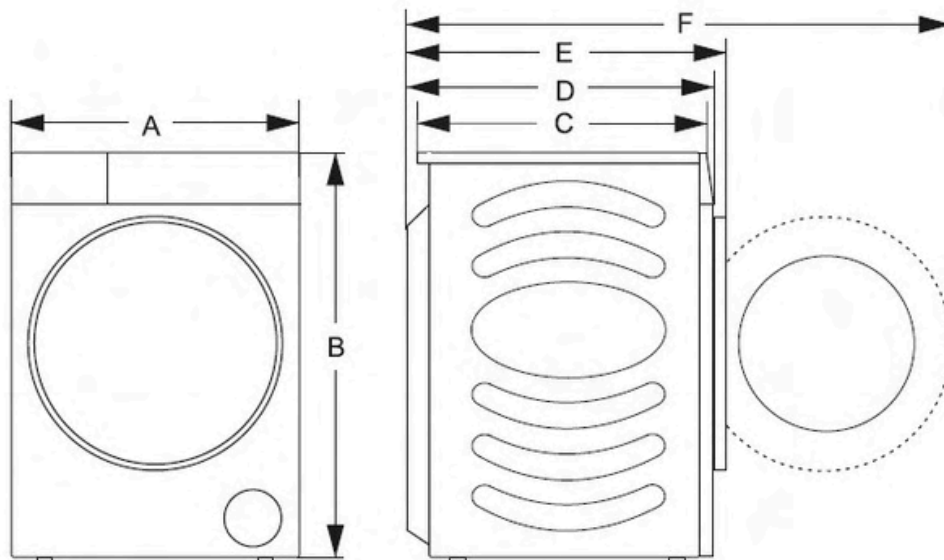
Due to deviations in terms of type and amount of laundry, spinning, power supply oscillation, and environment temperature and humidity, the program duration and power consumption values measured at the end user may differ from the ones stated in the table.

We reserve the right to any changes and errors in the instructions for use.

## TECHNICAL DATA

Product	HWM-HME1014IVA10+++
Colour	220-240V – 50Hz
Rated capacity	10 kg
Rated power	1600 W 595 x 470 x 845
Product dimensions (WxDxH)	61 kg
Net weight	

Dimensions	A	595 mm
	B	845 mm
	C	385 mm
	D	435 mm
	E	470 mm
	F	920 mm



The technical information is situated in the rating plate on the internal side of the appliance and on the energy label.

The QR code on the energy label supplied with the appliance provides a web link to the information related to the performance of the appliance in the EU EPREL database.

Keep the energy label for reference together with the user manual and all other documents provided with this appliance.

It is also possible to find the same information in EPREL using the link <https://eprel.ec.europa.eu> and the model name and product number that you find on the rating plate of the appliance.

To access information about your product in the EPREL portal, you can scan the codes below:



Thank you for purchasing this product. If you need support with your product, visit our website using the links below.

**Get User manuals:** <https://www.heinner.ro>

**Get Service information:** <https://www.heinner.ro>

**Environmentally friendly disposal**

You can help protect the environment!

Please remember to respect the local regulations: hand in the non-working electrical equipment's to an appropriate waste disposal center.



**HEINNER** is a registered trademark of **Network One Distribution SRL**. Other brands and product names are trademarks or registered trademarks of their respective holders.

No part of the specifications may be reproduced in any form or by any means or used to make any derivative such as translation, transformation, or adaptation without permission from NETWORK ONE DISTRIBUTION.

Copyright © 2013 Network One Distribution. All rights reserved.

[www.heinner.com](http://www.heinner.com), <http://www.nod.ro>



This product is in conformity with norms and standards of the European Community



Importer: **Network One Distribution**

Marcel Iancu Street, 3-5, Bucharest, Romania

Tel: +40 21 211 18 56, [www.heinner.com](http://www.heinner.com) , [www.nod.ro](http://www.nod.ro)

# AUTOMATISCHE WASCHMASCHINE

Model:

HWM-HME1014IVA10+++



- Automatische Waschmaschine
- Fassungsvermögen: 10 kg
- Energieeffizienzklasse: A

**HEINNER**

## 1. EINLEITUNG

Bitte lesen Sie die Anweisungen sorgfältig durch und bewahren Sie das Handbuch für zukünftige Informationen auf.

Dieses Handbuch soll alle notwendigen Anweisungen zur Installation, Nutzung und Wartung des Geräts geben. Um das Gerät korrekt und sicher zu betreiben, lesen Sie bitte dieses Handbuch sorgfältig vor der Installation und Nutzung.

## 2. INHALT IHRES PAKETS

- **Automatische Waschmaschine**
- **Benutzerhandbuch**
- **Garantiezertifikat**

## 3. SICHERHEITSMASSNAHMEN

### Sicherheitsvorkehrungen

- Betreiben Sie das Gerät nicht, ohne dieses Handbuch zu verstehen oder gelesen zu haben. Das Nichtbefolgen der Anweisungen oder unsachgemäße Bedienung kann Schäden an der Wäsche oder am Gerät verursachen oder zu Verletzungen führen. Bitte bewahren Sie das Handbuch in der Nähe des Geräts auf, damit es jederzeit zugänglich ist.
- Dieses Gerät ist für den Gebrauch im Haushalt vorgesehen. Wenn das Gerät für berufliche, gewinnorientierte Zwecke oder für eine Nutzung über den normalen Haushaltsgebrauch hinaus verwendet wird oder von einer Person genutzt wird, die kein Verbraucher ist, gilt die Garantiezeit als gleich der kürzesten Garantiezeit, die nach den einschlägigen Vorschriften vorgeschrieben ist.
- Dieses Gerät ist nicht für die Nutzung durch Personen (einschließlich Kinder) mit eingeschränkten körperlichen, sensorischen oder geistigen Fähigkeiten oder mangelnder Erfahrung und Kenntnis vorgesehen, es sei denn, sie werden von einer für ihre Sicherheit verantwortlichen Person beaufsichtigt oder angeleitet.
- Kinder sollten beaufsichtigt werden, um sicherzustellen, dass sie nicht mit dem Gerät spielen. Kinder unter 3 Jahren sollten von dem Gerät ferngehalten werden, es sei denn, sie werden ständig beaufsichtigt.
- Dieses Gerät kann von Kindern ab 8 Jahren und Personen mit eingeschränkten körperlichen, sensorischen oder geistigen Fähigkeiten oder mangelnder Erfahrung und Kenntnis verwendet werden, sofern sie beaufsichtigt oder angeleitet werden und die mit der Nutzung verbundenen Gefahren verstehen.
- Kinder sollten nicht mit dem Gerät spielen. Reinigungs- und Wartungsarbeiten dürfen von Kindern nicht ohne Aufsicht durchgeführt werden.
- Die maximale Kapazität für Trockenkleidung in einigen Programmen beträgt [Information im Original fehlt].
- Um das Gerät an die Wasserversorgung anzuschließen, verwenden Sie unbedingt den mitgelieferten Wasserschlauch und die Dichtungen. Der Wasserdruck muss zwischen 0,1–1 MPa (1–10 bar; 1–10 kp/cm<sup>2</sup>; 10–100 N/cm<sup>2</sup>) liegen. Verwenden Sie stets einen neuen Wasserschlauch; einen alten Schlauch dürfen Sie nicht wiederverwenden.
- Bei Geräten mit Belüftungsöffnungen an der Unterseite dürfen die Belüftungsöffnungen nicht durch einen Teppich blockiert werden. Ist das Netzkabel beschädigt, muss es vom Hersteller, dessen Servicepartner oder von entsprechend qualifizierten Personen repariert werden, um Gefahren zu vermeiden.

## Elektrische Sicherheit

- Dieses Gerät entspricht den einschlägigen Sicherheitsnormen. Bevor Sie die Waschmaschine an das Stromnetz anschließen, warten Sie mindestens 2 Stunden, bis sie Raumtemperatur erreicht hat. Dieses Gerät darf nur von einem autorisierten Servicezentrum repariert werden, wobei ausschließlich von autorisierten Herstellern genehmigte Ersatzteile verwendet werden dürfen.
- Alle Reparaturen oder Wartungsarbeiten, die Sicherheit oder Leistung betreffen, müssen von geschultem Fachpersonal durchgeführt werden. Versuchen Sie nicht, das Gerät selbst zu reparieren. Reparaturen durch unqualifiziertes Personal können zu Verletzungen oder schwerwiegenderen Schäden führen. Bitte wenden Sie sich an Ihr örtliches Servicezentrum und bestehen Sie stets auf Originalersatzteilen.
- Versuchen Sie nicht, das Gerät zu betreiben, wenn es beschädigt, defekt, teilweise demontiert oder Teile fehlen bzw. beschädigt sind, einschließlich beschädigter Kabel oder Stecker. Biegen Sie das Stromkabel nicht übermäßig oder legen Sie keine schweren Gegenstände darauf. Reinigen Sie das Gerät nicht innen oder außen mit Sprühwasser. Bei Überschwemmungen ziehen Sie bitte den Netzstecker und wenden sich an das Kundendienstzentrum.
- Modelle mit Trocknungsfunktion verfügen über eine automatische Abschaltung des Heizgeräts, um Überhitzung zu verhindern. Das Heizgerät schaltet automatisch ab, wenn die Temperatur den Sicherheitswert überschreitet, und schaltet sich wieder ein, wenn die Temperatur unter den Grenzwert fällt.
- Schließen Sie das Gerät nicht an mehrere Steckdosen, Verlängerungskabel oder Mehrfachadapter an. Schließen Sie das Gerät nicht über ein Verlängerungskabel an das Stromnetz an. Verwenden Sie keine Steckdose, die für einen Elektrorasierer oder Haartrockner vorgesehen ist. Verwenden Sie keine Steckdose, die für kleine Lasten vorgesehen ist.
- Stellen Sie vor dem Anschließen des Geräts an die Stromversorgung sicher, dass die auf dem Typenschild angegebene Spannung mit der Spannung Ihrer Steckdose übereinstimmt. Die Steckdose muss ordnungsgemäß geerdet sein, und die Wasserversorgung muss frei zugänglich sein.
- Schließen Sie das Gerät nicht über ein externes Schaltgerät wie eine Zeitschaltuhr an oder an Stromkreise, die regelmäßig durch den Energieversorger ein- und ausgeschaltet werden. Abluft darf nicht in einen Schornstein geleitet werden, der für die Ableitung von Abgasen oder anderen Brennstoffabgasen vorgesehen ist.

## Installation

- Bevor Sie das Gerät verwenden, entfernen Sie unbedingt die an der Unterseite des Geräts angebrachte Verpackung (Schwamm, Styropor usw.). Installieren Sie das Gerät bitte korrekt gemäß den Anweisungen und schließen Sie es an Wasser- und Stromversorgung an.
- Wasserleitungen und elektrische Anschlüsse sollten von einem vollständig ausgebildeten Techniker oder Fachmann durchgeführt werden. Installieren Sie das Gerät nicht an einem Ort, an dem die Türöffnung eingeschränkt ist.
- Installieren Sie das Gerät nicht an einem Ort, an dem die Temperatur unter 5 °C fallen kann, da Teile des Geräts durch gefrierendes Wasser beschädigt werden können. Stellen Sie das Gerät auf einen festen und ebenen Boden. Wenn es auf einem hohen Podest installiert wird, muss das Gerät verstärkt werden, um ein Umkippen zu verhindern.
- Das Ende des Ablaufschlauchs muss in eine Wasserabflussleitung reichen. Dieses Gerät darf nicht im Freien gelagert oder betrieben werden. Vermeiden Sie eine Ansammlung von Flusen in der Nähe des Geräts.
- Installieren Sie das Gerät nicht in der Nähe von Heizgeräten oder leicht entzündlichen Materialien. Installieren Sie das Gerät nicht in einem Bereich, in dem Gaslecks auftreten können. Sorgen Sie für eine gute Belüftung, um zu verhindern, dass Gase, die vom Gerät erzeugt werden, zurück in den Raum gelangen und ein Feuer verursachen.

## Gebrauch

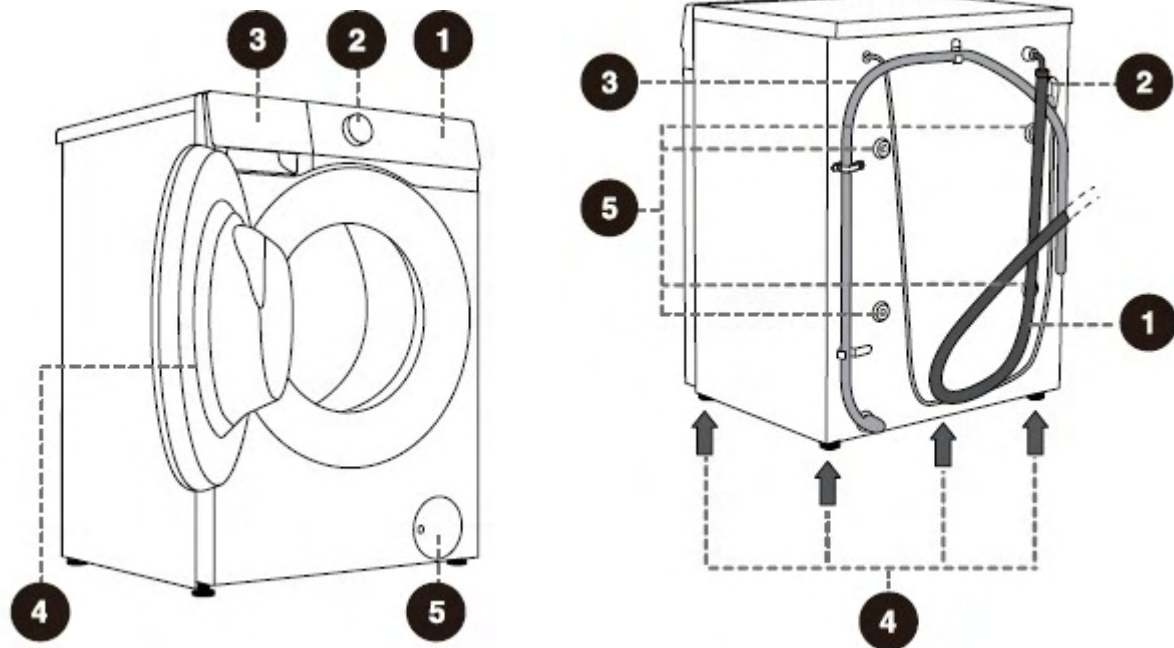
- Entfernen Sie die Transportschrauben/-stangen vor der ersten Inbetriebnahme, da sonst beim Starten des Geräts schwerwiegende Schäden auftreten können. Solche Schäden sind nicht durch die Garantie abgedeckt. Prüfen Sie das Gerät während des Transports auf Beschädigungen. Betreiben Sie das Gerät niemals, wenn es beschädigt ist.
- Verwenden Sie Reinigungsmittel, die für das Gerät und die Wäschepflege geeignet sind. Wir übernehmen keine Verantwortung für Schäden oder Verfärbungen an Dichtungen und Kunststoffteilen, die durch unsachgemäßen Gebrauch von Bleich- oder Farbmitteln entstehen. Versuchen Sie nicht, Paneele zu entfernen oder das Gerät zu demontieren. Drücken Sie keine Tasten mit scharfen Gegenständen wie Nadeln, Messern oder Nägeln. Berühren Sie den Netzstecker nicht und betreiben Sie das Gerät nicht mit nassen Händen.
- Dieses Gerät ist nur für normales Waschen oder Trocknen geeignet. Es darf nicht für die chemische Reinigung verwendet werden. Das Heben des schweren Geräts kann zu Verletzungen führen. Versuchen Sie nicht, das Gerät selbst zu heben, da Ihre Hände an scharfen Kanten verletzt werden können.
- Verwenden Sie keine hervorstehenden Teile, um das Gerät zu bewegen. Hervorstehende Teile können beim Heben oder Schieben beschädigt werden. Waschen Sie keine Wäsche mit großen Knöpfen oder anderen schweren Metallgegenständen und stellen Sie sicher, dass alle Taschen leer sind. Um Gerüche und Schimmel zu vermeiden, öffnen Sie die Tür am Ende des Waschgangs, damit die Trommel trocknen kann. Lassen Sie keine Metallgegenstände längere Zeit in der Trommel.
- Die Türscheibe kann durch starke Stöße zerbrechen. Gehen Sie vorsichtig damit um. Legen Sie die Wäsche vollständig in die Trommel, damit sie nicht in der Tür hängen bleibt. Schalten Sie die Wasserversorgung ab und ziehen Sie den Netzstecker, wenn das Gerät nicht verwendet wird. Legen Sie keine Tiere (z. B. Haustiere) in das Gerät.
- Montieren Sie die Transportschrauben/-stangen, wenn Sie das installierte Gerät bewegen müssen. Ziehen Sie den Netzstecker, bevor Sie die Transportschrauben/-stangen montieren! Schalten Sie den Wasserhahn ab und ziehen Sie den Netzstecker am Ende des Waschgangs. Ziehen Sie den Netzstecker niemals am Kabel. Halten Sie den Stecker stets fest und ziehen Sie ihn gerade aus der Steckdose.
- Verwenden Sie keine Reinigungsmittel, die Lösungsmittel enthalten, da dies zur Freisetzung giftiger Gase, zu Geräteschäden und zu Brand- oder Explosionsgefahr führen kann. Öffnen Sie die Tür nicht gewaltsam während des Betriebs (Waschen/Trocknen bei hohen Temperaturen). Verwenden Sie das Gerät nicht nach der Reinigung mit Industriechemikalien. Das Wasser, das während eines Hochtemperatur-Waschgangs abgelassen wird, ist heiß. Berühren Sie es nicht, um Verbrennungen zu vermeiden.
- Wäsche, die mit Speiseölen, Aceton, Alkohol, Benzin, Kerosin, Reinigungsmitteln, Terpentin, Wachs oder Wachsreinigern verschmutzt ist, sollte vor dem Einlegen in die Trommel mit heißem Wasser und viel Waschmittel vorbehandelt werden. Verwenden Sie Weichspüler oder ähnliche Produkte gemäß den Anweisungen des Herstellers. Entfernen Sie alle Gegenstände wie Feuerzeuge oder Streichhölzer aus den Taschen.
- **GEFAHR VON HEISSEN OBERFLÄCHEN**
- Bei höheren Wasch- oder Trocknungstemperaturen wird die Türscheibe heiß. Achten Sie auf Verbrennungsgefahr. Stellen Sie sicher, dass Kinder nicht in der Nähe der Glastür spielen. Berühren Sie die Türscheibe während des Betriebs nicht.
- **SCHUTZ VOR WASSERÜBERLAUF (GERÄT EINGESCHALTET)**
- Wenn der Wasserstand im Gerät über das normale Niveau steigt, wird der Überlaufschutz aktiviert. Die Wasserversorgung wird unterbrochen und das Wasser wird abgepumpt. Das Programm wird unterbrochen und ein Fehler angezeigt.
- Waschen oder trocknen Sie keine Wäsche aus Schaumgummi (Latexschaum), Duschhauben, wasserdichten Stoffen, Gummiprodukten oder Kleidungsstücken/Kissen mit Schaumgummipolstern in der Trommel.
- Wenn Ihr Gerät eine Trocknungsfunktion hat, unterbrechen Sie das Programm nicht, bis der Trocknungsvorgang abgeschlossen ist. Falls Sie es aus irgendeinem Grund unterbrechen müssen, entnehmen Sie die Wäsche vorsichtig, um Verbrennungen zu vermeiden. Entfernen Sie die Wäsche schnell und legen Sie sie aus, damit die Wärme entweichen kann.

- Reparaturkosten, die durch falsche Anschlussarten, unsachgemäße Installation oder Nutzung oder durch Reparaturen von unautorisiertem Personal verursacht werden, gehen zu Lasten des Benutzers und sind nicht durch die Garantie abgedeckt.
- Die Garantie deckt keine Verbrauchsmaterialien, geringfügige Farbabweichungen, erhöhte Geräusentwicklung aufgrund des Alters des Geräts, sofern die Funktionalität nicht beeinträchtigt wird, sowie ästhetische Mängel an Bauteilen, die die Funktionalität und Sicherheit des Geräts nicht beeinträchtigen.

## Kindersicherheit

- Bevor Sie die Waschmaschine schließen und das Programm starten, stellen Sie sicher, dass sich außer der Wäsche nichts in der Trommel befindet. Achten Sie darauf, dass kein Kind in die Trommel geklettert ist und die Tür von innen geschlossen hat. Lassen Sie die Tür nicht offen. Kinder könnten an der Tür hängen oder in das Gerät klettern, was zu Schäden oder Verletzungen führen kann.
- Halten Sie alle Verpackungsmaterialien außerhalb der Reichweite von Kindern, da diese eine Gefahr darstellen können. Bewahren Sie Waschmittel und Weichspüler außerhalb der Reichweite von Kindern auf.
- Kinder sollten beaufsichtigt werden, um sicherzustellen, dass sie nicht mit dem Gerät spielen. Kinder unter 3 Jahren sollten von dem Gerät ferngehalten werden, es sei denn, sie werden ständig beaufsichtigt.
- Dieses Gerät kann von Kindern ab 8 Jahren und von Personen mit eingeschränkten körperlichen, sensorischen oder geistigen Fähigkeiten oder mangelnder Erfahrung und Kenntnis verwendet werden, sofern sie beaufsichtigt oder angeleitet werden und die mit der Nutzung verbundenen Gefahren verstehen.
- Kinder sollten nicht mit dem Gerät spielen. Reinigungs- und Wartungsarbeiten dürfen von Kindern nicht ohne Aufsicht durchgeführt werden.

## 4. PRODUCT DESCRIPTION



### Vorderseite

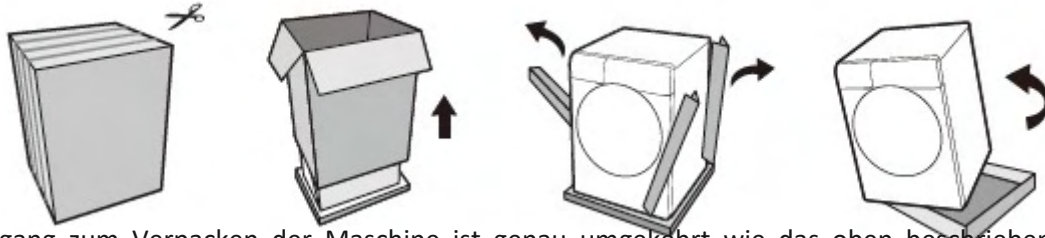
1. Bedieneinheit
2. Programmwahlschalter
3. Waschmittelschublade
4. Tür
5. Pumpenfilterabdeckung

### Rückseite

1. Wasserversorgungsschlauch
2. Netzkabel
3. Ablaufschlauch
4. Einstellbare FüÙe
5. Transportschrauben/-stangen

## 5. INSTALLATION

Entfernen Sie zunächst alle Verpackungen und den Schaum, insbesondere die Schaumstoffbasis. Achten Sie beim Entfernen der Verpackung darauf, das Gerät nicht mit einem scharfen Gegenstand zu beschädigen. Bewahren Sie die Verpackungsmaterialien (Plastiktüten, andere Kunststoffteile usw.) außerhalb der Reichweite von Kindern auf.



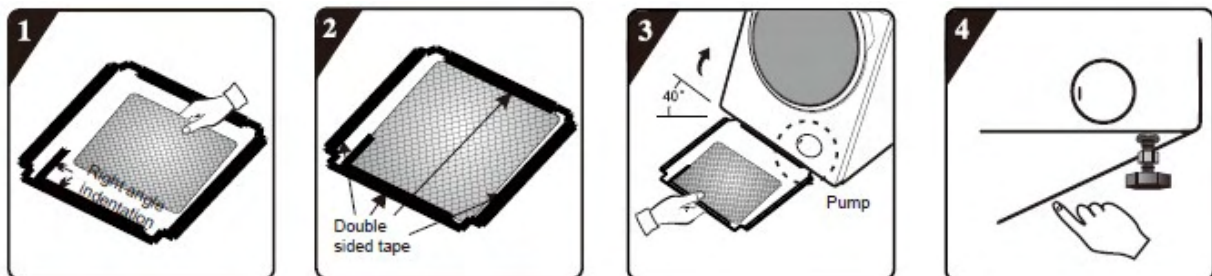
Der Vorgang zum Verpacken der Maschine ist genau umgekehrt wie das oben beschriebene Auspacken. Prüfen Sie das Gerät auf mögliche Beschädigungen. Wenn Sie vermuten, dass das Gerät beschädigt ist, verwenden Sie es nicht und wenden Sie sich sofort an den Kundendienst.

Das mit diesem Gerät gelieferte Zubehör kann eines oder mehrere der folgenden Teile umfassen:

- Benutzerhandbuch
- 4 Kunststoffstopfen
- Zulaufschlauch
- Halter für Ablaufschlauch
- Schraubenschlüssel
- Schalldämmplatte / Schaumstoffstreifen / keines (abhängig vom Modell)

Die Ausstattung kann bei verschiedenen Modellen unterschiedlich sein, und das mitgelieferte Zubehör richtet sich nach der tatsächlichen Ausstattung des jeweiligen Modells.

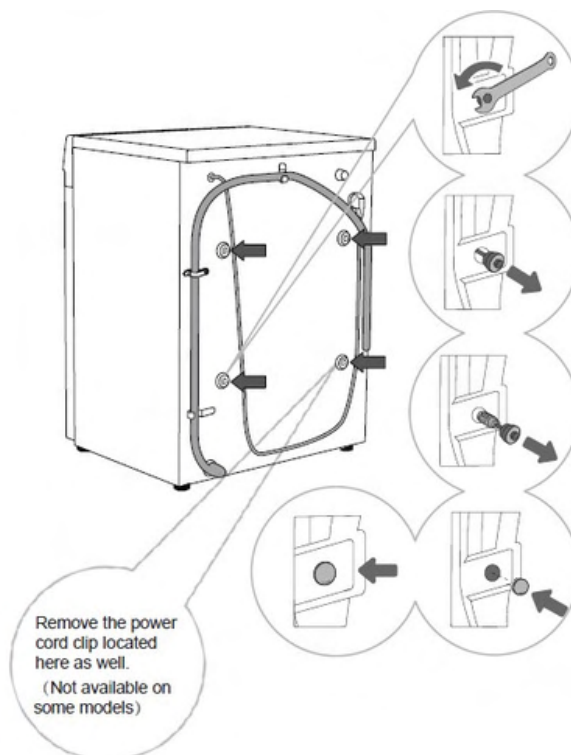
### Wie man die Schalldämmplatte installiert



1. Bevor Sie die Schalldämmplatte installieren, richten Sie die schallabsorbierende Wolle entlang der Rechtwinkleinprägung auf der Schalldämmplatte aus und kleben Sie sie fest (dieser Schritt ist bei einigen Modellen ohne schallabsorbierende Wolle nicht erforderlich).
2. Entfernen Sie das Schutzpapier der doppelseitigen Klebestreifen an den vier Seiten der Schalldämmplatte.
3. Neigen Sie das Gerät um einen Winkel von 40° und richten Sie die Seite mit der Rechtwinkelnut zur Vorderseite der Waschmaschine, wie in der Abbildung gezeigt. Führen Sie die Seite mit der Schrägnut zwischen die beiden Fußschrauben an der Rückseite der Waschmaschine vollständig ein. Installieren Sie anschließend die Schalldämmplatte und stellen Sie sicher, dass sie fest am Boden der Waschmaschine anliegt.
4. Drücken Sie die doppelseitigen Klebestreifen an den vier Seiten manuell an, um die Schalldämmplatte sicher am Gerät zu befestigen.

## Entfernen der Transportschrauben/-stangen

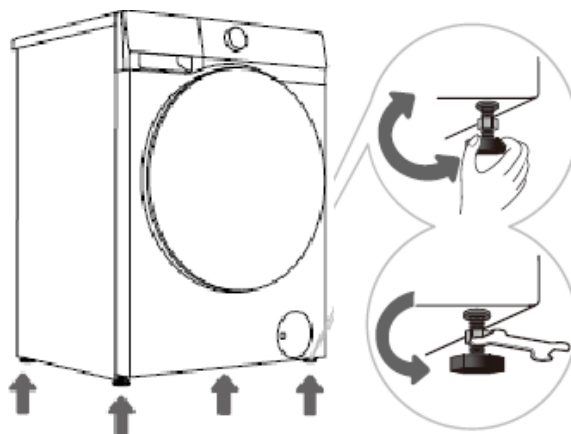
Bauen Sie die Transportschrauben/-stangen aus, sobald alle Verpackungen entfernt wurden. Ein blockiertes Gerät kann beim Einschalten beschädigt werden. Solche Schäden sind nicht durch die Garantie abgedeckt.



1. Schieben Sie die Ablaufschläuche beiseite und verwenden Sie einen geeigneten Schraubenschlüssel, um die vier Schrauben auf der Rückseite in gegen den Uhrzeigersinn Richtung der Pfeile zu lösen. Lösen Sie die Schrauben um etwa 30 mm.
2. Ziehen Sie alle 4 Transportschrauben/-stangen horizontal heraus.
3. Ziehen Sie die Transportschrauben/-stangen zusammen mit den Gummi- und Kunststoffteilen heraus.
4. Decken Sie die Schraubenlöcher mit den Kunststoffstopfen ab. Die Kunststoffstopfen sind im Beutel mit dem Benutzerhandbuch der Waschmaschine (Montageset) enthalten.
5. Bewahren Sie die Transportschrauben/-stangen auf, falls Sie das Gerät später erneut transportieren müssen (zum Wiedereinbau der Transportschrauben/-stangen folgen Sie der obigen Vorgehensweise in umgekehrter Reihenfolge).

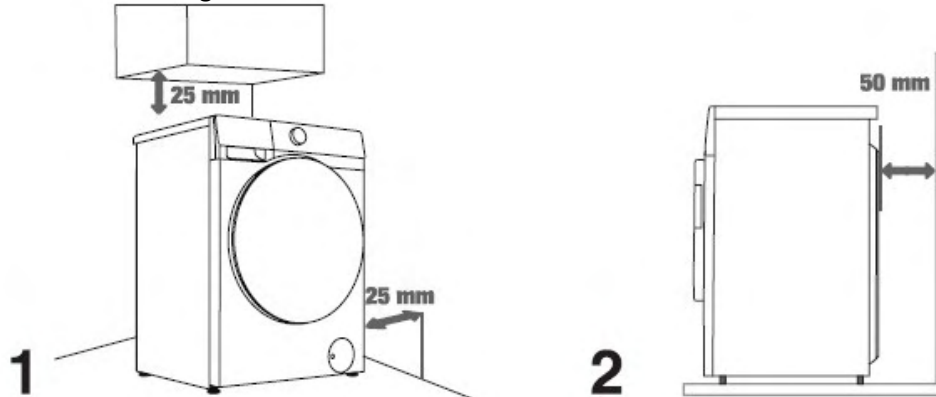
## Verstellbare FüÙe und Installationsabstand

Stellen Sie das Gerät auf einen festen und ebenen Boden, um es stabil zu halten. Der Boden sollte sauber und trocken sein, da die Waschmaschine sonst rutschen kann. Reinigen Sie außerdem die Unterseite der verstellbaren FüÙe. Verwenden Sie eine Wasserwaage und einen geeigneten Schraubenschlüssel.



Die Ausrichtung kann durch Drehen der verstellbaren Füße angepasst werden. Die verstellbaren Füße ermöglichen eine horizontale Justierung von bis zu 2 cm. Nach der Höheneinstellung ziehen Sie die Sicherungsmutter mit einem geeigneten Schraubenschlüssel gegen den Uhrzeigersinn fest. Eine falsche Ausrichtung des Geräts kann Vibrationen, Verrutschen des Geräts im Raum und lauten Betrieb verursachen. Eine falsche Nivellierung der Waschmaschine ist nicht durch die Garantie abgedeckt.

Gelegentlich können während des Betriebs ungewöhnliche oder lautere Geräusche auftreten. Diese entstehen meist durch unsachgemäße Installation.

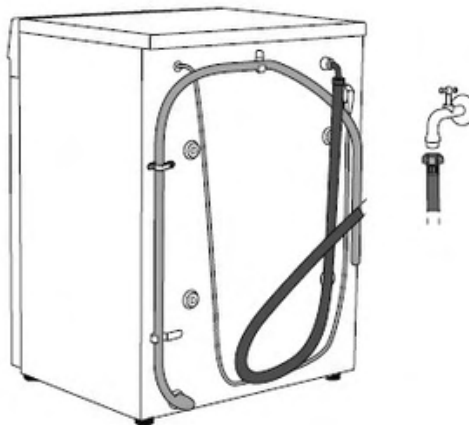


Das Gerät darf nicht direkt an einer Wand oder an angrenzenden Möbeln stehen. Für einen optimalen Betrieb der Waschmaschine empfehlen wir, die in der Abbildung angegebenen Abstände zu den Wänden einzuhalten.

Wenn die Mindestabstände nicht eingehalten werden, kann ein sicherer und korrekter Betrieb der Waschmaschine nicht gewährleistet werden. Außerdem kann es zu Überhitzung kommen (siehe Abbildungen 1 und 2 oben).

## Anschluss an die Wasserversorgung

Der mitgelieferte Zulaufschlauch kann je nach Modell variieren. Bitte wählen Sie die geeignete Anschlussmethode entsprechend dem tatsächlichen Zulaufschlauch aus.



- Für den normalen Betrieb der Waschmaschine sollte der Druck im Wassernetz zwischen 0,1–1 MPa (1–10 bar; 1–10 kp/cm<sup>2</sup>; 10–100 N/cm<sup>2</sup>) liegen. Der minimale dynamische Wasserdruck kann durch Messung des Wasserflusses bestimmt werden. Innerhalb von 15 Sekunden sollten 3 Liter Wasser aus einem vollständig geöffneten Wasserhahn fließen.
- Verwenden Sie ausschließlich den mit dem Gerät gelieferten Zulaufschlauch. Verwenden Sie keine gebrauchten oder anderen Schläuche. Stellen Sie sicher, dass der Schlauch nicht beschädigt ist. Ist der Schlauch abgenutzt, spröde oder gerissen, muss er ersetzt werden. Dieses Gerät ist nur für Kaltwasser ausgelegt. Schließen Sie es nicht an Warmwasser an.
- Ziehen Sie den Zulaufschlauch von Hand fest, um eine ordnungsgemäße Abdichtung sicherzustellen (maximales Drehmoment: 2 Nm). Prüfen Sie die Dichtung auf Undichtigkeiten. Verwenden Sie keine Zangen oder ähnliche Werkzeuge, da diese die Gewinde der Muttern beschädigen können.



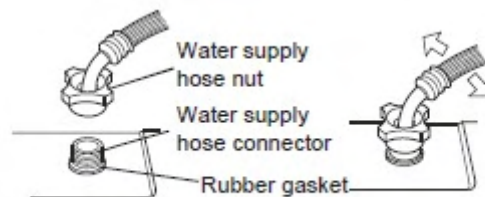
### Überprüfung der Verbindung zwischen Zulaufschlauch und Wasserhahn

- Ziehen Sie den Zulaufschlauch vorsichtig, um zu überprüfen, ob die Verbindung sicher ist.
- Öffnen Sie den Wasserhahn, um auf Undichtigkeiten zu prüfen.
- Der Zulaufschlauch darf weder verdreht noch geknickt sein.
- Prüfen Sie den Zulaufschlauch vor jedem Gebrauch, um eine falsche Verbindung zu vermeiden.



### Anschluss des Zulaufschlauchs an das Gerät

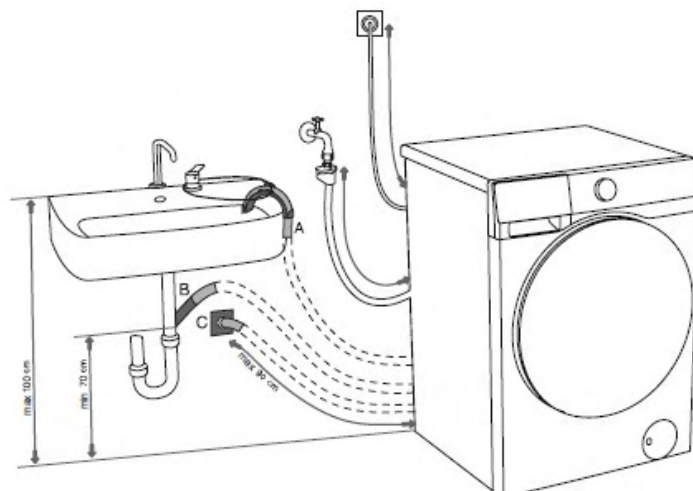
Schließen Sie die Mutter des Zulaufschlauchs an den Zulaufschlauchanschluss des Geräts an. Ziehen Sie die Mutter fest und bewegen Sie sie vorsichtig hin und her, um zu prüfen, ob sie sicher sitzt, wie in der rechten Abbildung gezeigt.



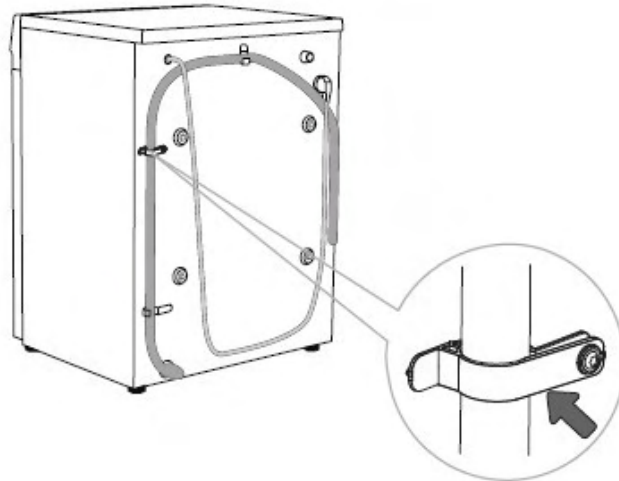
**Hinweis:** Ziehen Sie die Mutter gleichmäßig an. Vermeiden Sie es, den Zulaufschlauch zu drehen, da dies zu Schäden führen kann. Entfernen Sie die Gummidichtung nicht. Prüfen Sie vor jedem Gebrauch, dass die Dichtung nicht gelöst oder beschädigt ist. Bei Beschädigungen wenden Sie sich bitte umgehend an den Kundendienst.

### Anschluss und Sicherung des Ablaufschlauchs

Führen Sie den Ablaufschlauch in ein Waschbecken oder eine Badewanne oder schließen Sie ihn direkt an einen Abfluss an (Minstdurchmesser des Ablaufschlauchs: 4 cm). Der vertikale Abstand vom Boden bis zum Ende des Ablaufschlauchs darf 70 bis 100 cm betragen. Er kann auf drei Arten befestigt werden (A, B, C).



- A. Das Ende des Ablaufschlauchs kann über einem Waschbecken oder einer Badewanne platziert werden. Verwenden Sie eine Schnur, die durch die Öffnung in der Winkelhalterung geführt wird, um den Schlauch zu befestigen und ein Abrutschen auf den Boden zu verhindern.
- B. Der Ablaufschlauch kann auch direkt an den Siphon des Waschbeckens angeschlossen werden. Ein zu kleines Waschbecken ist nicht zulässig. Seien Sie vorsichtig, da das abfließende Wasser heiß sein kann.
- C. Der Ablaufschlauch kann auch an einen Wandablauf mit Siphon angeschlossen werden. Solche Siphons sollten ordnungsgemäß installiert sein, um eine Reinigung zu ermöglichen.
- D. Der Ablaufschlauch muss an den Clips auf der Rückseite der Waschmaschine befestigt werden, wie in der Abbildung gezeigt. Diese Clips dürfen nicht entfernt werden, da dies den normalen Waschbetrieb verhindern kann.

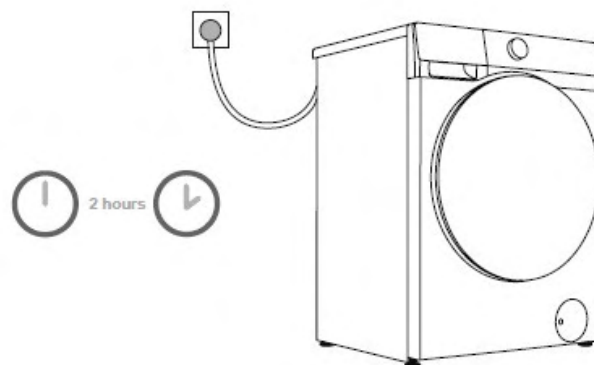


Stellen Sie sicher, dass der Ablaufschlauch nicht beschädigt ist.

Wenn der Ablaufschlauch nicht korrekt angeschlossen ist, kann ein sicherer und ordnungsgemäßer Betrieb der Waschmaschine nicht gewährleistet werden.

## Anschluss an das Stromnetz

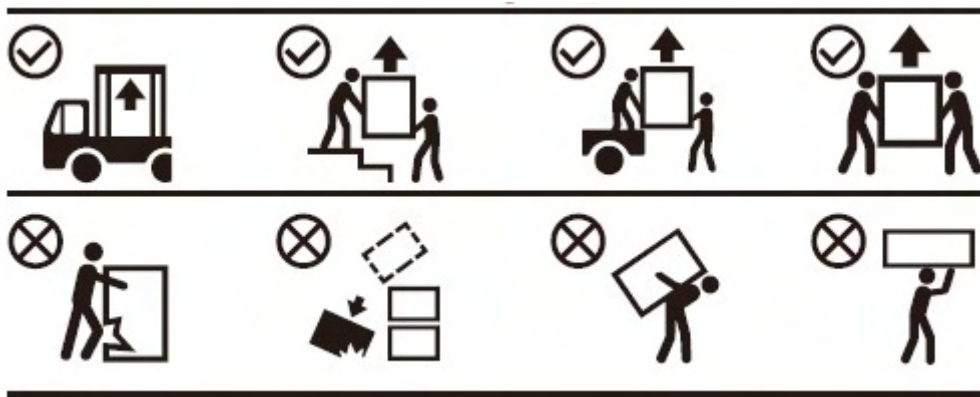
Bevor Sie die Waschmaschine an das Stromnetz anschließen, warten Sie mindestens 2 Stunden, bis sie Raumtemperatur erreicht hat. Schließen Sie die Waschmaschine an eine geerdete Steckdose an. Nach der Installation sollte die Steckdose frei zugänglich sein. Die Steckdose sollte mit einem Schutzleiter ausgestattet sein. Informationen zu Ihrer Waschmaschine finden Sie auf dem Typenschild.



- Wir empfehlen die Verwendung eines Überspannungsschutzes, um das Gerät bei einem Blitzschlag zu schützen. Die Waschmaschine darf nicht über ein Verlängerungskabel an das Stromnetz angeschlossen werden.
- Schließen Sie das Gerät nicht an eine Steckdose an, die für geringe Lasten vorgesehen ist.
- Stecken Sie das Gerät nicht ein oder aus, wenn Ihre Hände nass sind. Alle Reparaturen und Wartungsarbeiten am Gerät sollten von geschultem Fachpersonal durchgeführt werden.
- Ein beschädigtes Netzkabel darf nur von einer vom Hersteller autorisierten Person ersetzt werden.

## Transport nach der Installation

- Wenn das ordnungsgemäß installierte Gerät transportiert werden muss, ziehen Sie zunächst den Netzstecker, drehen Sie den Wasserhahn zu, entfernen Sie die Wasserzulauf- und Ablaufschläuche und stellen Sie sicher, dass die Waschmittelschublade und die Gerätetür geschlossen sind. Achten Sie darauf, die Transportschrauben wieder einzubauen, um Schäden am Gerät durch Vibrationen während des Transports zu vermeiden. Verpacken Sie alle Verpackungsmaterialien ordnungsgemäß (Plastiktüten, andere Kunststoffteile usw.).
- Das Gerät ist schwer, daher sollte es von mindestens zwei Personen getragen werden. Greifen Sie beim Transport nicht an hervorstehenden Teilen wie der Tür oder der Abdeckung, um ein Herunterfallen oder Beschädigungen zu vermeiden.
- Nach dem Transport sollte das Gerät mindestens 2 Stunden stehen, bevor es wieder an das Stromnetz angeschlossen wird. Die Installation und der Anschluss des Geräts sollten von einem geschulten Techniker durchgeführt werden.
- Lesen Sie die Anweisungen sorgfältig, bevor Sie das Gerät erneut anschließen. Schäden, die durch unsachgemäßen Anschluss oder unsachgemäße Nutzung entstehen, sind nicht durch die Garantie abgedeckt.




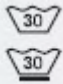


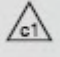

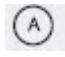
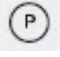






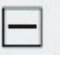





## 6. VERWENDUNG DES PRODUKTS

### Vor der ersten Benutzung

- Dieses Gerät wurde werkseitig getestet und kann eine kleine Menge Wasserreste enthalten. Es wird empfohlen, ein Programm „Trommelreinigung“ (oder ein anderes Hochtemperaturprogramm) auszuführen, um eventuelle Restwasser aus der Trommel zu entfernen. Schließen Sie das Gerät an das Stromnetz an und öffnen Sie den Wasserhahn. Die Trommel darf keine Wäsche enthalten.
- Wählen Sie das Programm aus und starten Sie es.
- Verwenden Sie keine Lösungsmittel oder Reinigungsmittel, die die Waschmaschine beschädigen könnten (bitte beachten Sie die Empfehlungen und Warnhinweise der Reinigungsmittelhersteller).

## Wäschekennzeichnungen

Normalwäsche Feinwäsche / Empfindliche Wäsche	Max washing temp 95C	Max washing temp 60C	Max washing temp 40C	Max washing temp 30C	Hand wash only	Do not wash
						
Bleichen	Bleichen in kaltem Wasser			Bleichen nicht erlaubt		
						
Chemische Reinigung	Reinigungsmittel für chemische Reinigung	Petroleumlösungsmittel, R11, R113	Chemische Reinigung in Kerosin, reinem Alkohol und R113		Chemische Reinigung nicht erlaubt	
						
Bügeln	Heißbügeln, max. 200 °C	Heißbügeln, max. 150 °C		Heißbügeln, max. 110 °C		Bügeln nicht erlaubt
						
Trocknen	Flach trocknen (auf einer Fläche auslegen)	Tropfnass / Aufhängen zum Trocknen		Hohe Temperatur		Nicht im Trockner trocknen
						

## Vorbereitung des Waschvorgangs

- Sortieren Sie die Wäsche nach Gewebeat (Baumwolle, Mischgewebe, Seide, Wolle usw.), Pflegekennzeichnung, Farbe (weiß, farbig) und Verschmutzungsgrad.
- Leeren Sie die Taschen; entfernen Sie Metallteile, die die Wäsche oder das Gerät beschädigen könnten; knöpfen Sie alle Knöpfe zu und drehen Sie Kleidungsstücke mit Knöpfen oder Stickereien auf links; schließen Sie alle Reißverschlüsse; binden Sie Kordeln an Kleidungsstücken mit Kordelzug zusammen.
- Empfindliche Kleidung sowie kleine oder leichte Wäschestücke in einen speziellen Wäschesack legen und zusammen mit anderer Wäsche waschen.
- Drehen Sie wäscheanfällige Kleidungsstücke oder solche mit langem Flor vor dem Waschen auf links.
- Flecken, die zu lange liegen, lassen sich schwer entfernen. Behandeln Sie verschmutzte Stellen wie Manschetten und Kragen vor dem Waschen (siehe Kapitel „Fleckenentfernungstipps“).
- Waschen Sie schwere Bettdecken, Plüschspielzeug oder Wäschestücke in Wäschesäcken nicht einzeln in der Trommel, um Schäden zu vermeiden.



### Nicht waschbare und nicht trocknergeeignete Wäsche

- Leder- und Pelzprodukte (Risiko der Verformung)
- Rayon und Mischgewebe daraus (Risiko von Verfärbung oder Verformung)

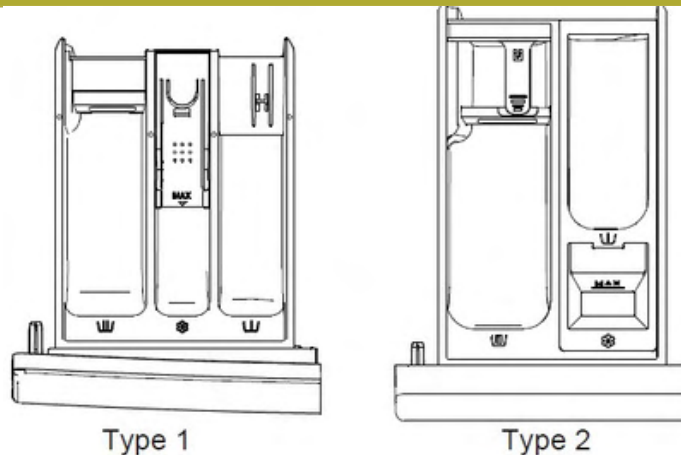
- Große, dicke Gummikissen (Risiko von Beschädigung oder Funktionsstörung)
- Hüte mit harten Materialien (Risiko von Schäden an der Waschmaschine und Funktionsstörungen)
- Kissen, Polster, Artikel mit Baumwollvlies, Schaumstoff oder anderen Schwammstoffen, Teppichauflagen (Risiko von Beschädigung oder Funktionsstörung)


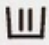

Weitere Wäschearten:

- Zerknitterte oder geprägte Kleidung
- Beschichtete Daunenjacken
- Krepfstoffe
- Leicht verformbare Kleidungsstücke (Anzüge, Jacken, Krawatten, Kleider usw.)
- Leicht aufrauhende Kleidung (Samt, Baumwollflanell)


Nicht waschbare und nicht trocknergeeignete Wäsche umfasst die oben genannten Gegenstände, ist jedoch nicht darauf beschränkt.

## Waschmittel/Weichspüler hinzufügen



Waschmittelschublade	
	Fach für Vorwäsche
	Fach für Hauptwäsche
	Fach für Weichspüler

### Vorsichtsmaßnahmen bei der Verwendung

1. Verwenden Sie stets ein hochwirksames, neutrales, niedrig schäumendes Waschmittel, das für dieses Gerät geeignet ist. Die Menge des Waschmittels hängt von Art, Verschmutzungsgrad, Farbe der Wäsche und Waschtemperatur ab. Bitte fügen Sie die entsprechende Menge gemäß den Dosierangaben des Waschmittelherstellers hinzu.
2. Übermäßige Mengen an Waschmittel können zu Schaum führen, der die Waschleistung beeinträchtigt. Wird übermäßiger Schaum festgestellt, kann das Gerät das Programm zum Entschäumen pausieren.
3. Eine unzureichende Waschmittelmenge kann zu schlechtem Waschergebnis führen und Kalkablagerungen in der Trommel und den Wasserleitungen verursachen.
4. Wir empfehlen, Pulverwaschmittel direkt vor Beginn des Waschganges hinzuzufügen. Wird es im Voraus hinzugefügt, stellen Sie sicher, dass das Waschmittelfach vollständig trocken ist; andernfalls kann das Pulver hart werden und Klumpen bilden, bevor der Waschgang startet.
5. Verwenden Sie kein Flüssigwaschmittel bei Auswahl der Funktion „Startzeitvorwahl“ oder „Vorwäsche“ (falls verfügbar), da es sofort dosiert wird und im Fach oder in der Trommel klebrig werden kann.
6. Lassen Sie Waschmittel nicht aushärten, da dies zu Verstopfungen, schlechter Spülleistung oder unangenehmen Gerüchen führen kann.
7. Geben Sie Weichspüler in das mit „Softener- Symbol“ gekennzeichnete Fach und beachten Sie die Gebrauchsanweisung auf der Weichspülerverpackung. Überschreiten Sie nicht die MAX-Linie im Weichspülerfach, da dies zu einer vorzeitigen Freisetzung des Weichspülers und schlechtem Waschergebnis führen kann.
8. Bewahren Sie Waschmittel und Weichspüler außerhalb der Reichweite von Kindern auf.
9. Korrosive Entkalkungsmittel können das Gerät beschädigen. Verwenden Sie keine Lösungsmittel. Waschen Sie keine Wäsche, die mit Lösungsmitteln oder entzündlichen Substanzen gereinigt wurde.
10. Weiße Rückstände (Streifen usw.) auf schwarzer Wäsche können auftreten, wenn moderne phosphatfreie Waschmittel verwendet werden. In diesem Fall die Streifen abbürsten und ein Flüssigwaschmittel verwenden.

11. Schließen Sie die Waschmittelschublade vor Programmstart vorsichtig. Ein gewaltsames Schließen kann dazu führen, dass Waschmittel in andere Fächer gelangt oder zu früh in die Trommel dosiert wird. Achten Sie darauf, Ihre Finger beim Schließen der Schublade nicht einzuklemmen.
12. Am Ende des Programmzyklus kann eine kleine Menge Wasser im Waschmittelfach verbleiben.

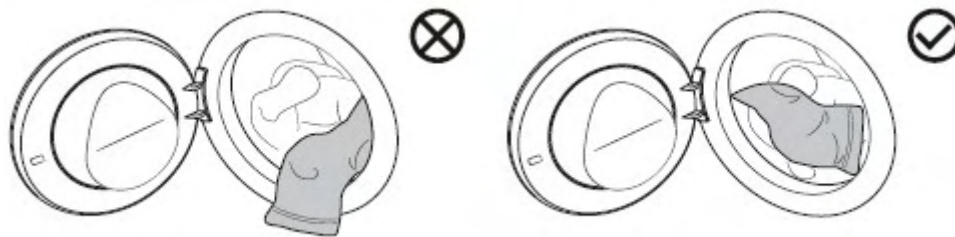
### Beladen der Waschmaschine

Öffnen Sie die Waschmaschinentür und legen Sie die Wäsche locker in die Trommel, nachdem Sie sichergestellt haben, dass die Trommel leer ist.

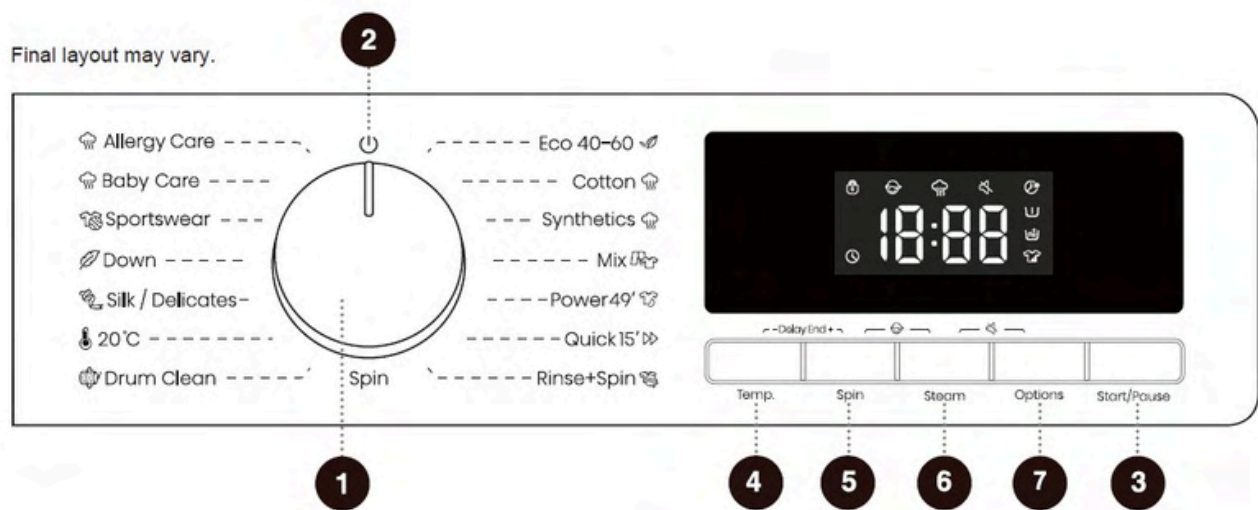
Schließen Sie die Waschmaschinentür. Die Tür ist geschlossen, wenn Sie ein Klicken hören.

Überladen Sie die Trommel nicht! Die maximale Beladung entnehmen Sie bitte der „PROGRAMMTABELLE“. Ist die Trommel zu voll, wird die Wäsche nicht gründlich gereinigt.

Stellen Sie sicher, dass die Wäsche vollständig in die Trommel gelegt ist, um ein Einklemmen in der Tür zu vermeiden.



## 7. PROGRAMME



1. Programmwahlschalter – Drehen Sie den Knopf, um das gewünschte Programm auszuwählen.
2. Ein/Aus – Schalten Sie das Gerät ein oder aus.
3. Start/Pause – Starten oder pausieren Sie das Programm.
4. Temperatur – Wählen Sie die Waschtemperatur.
5. Schleudern – Stellen Sie die Schleuderdrehzahl ein.
6. Dampf – Schalten Sie die Dampf-Funktion ein oder aus.
7. Optionen – Drücken Sie diese Taste, um zusätzliche Funktionen auszuwählen.
8. Kombinationsfunktionen:
  - Startzeitvorwahl (4 + 5) – Planen Sie den Waschgang zu einem geeigneten Zeitpunkt.
  - Kindersicherung (5 + 6) – Halten Sie beide Tasten gleichzeitig gedrückt, um die Kindersicherung ein- oder auszuschalten.
  - Stummschaltung (6 + 7) – Halten Sie beide Tasten gleichzeitig gedrückt, um den Stumm-Modus ein- oder auszuschalten.

## Programmtabelle

Schalten Sie das Gerät ein und wählen Sie das Programm durch Drehen des Hauptwahlschalters (abhängig von der Art der Wäsche und dem Verschmutzungsgrad). Während des Betriebs dreht sich der Hauptwahlschalter nicht automatisch.

<b>Eco 40-60</b>	
Waschtemperatur	-
Maximale Trockenladung	10 kg
Schleuderdrehzahl (U/min)	1400
Wäscheart / Beschreibung	Es eignet sich für normal verschmutzte Wäsche.
<b>Baumwolle</b>	
Waschtemperatur	(-, 20°C, 30 °C, 40°C, 60°C, 90°C)
Maximale Trockenladung	10 kg
Schleuderdrehzahl (U/min)	1400
Wäscheart / Beschreibung	Es eignet sich zum Waschen von mäßig bis stark verschmutzter Baumwoll- oder Leinenwäsche.
<b>Synthetik</b>	
Waschtemperatur	(-, 20°C, 30°C, 40°C,60°C)
Maximale Trockenladung	3.5 kg
Schleuderdrehzahl (U/min)	1200
Wäscheart / Beschreibung	Es eignet sich zum Waschen von mäßig verschmutzten Synthetik- oder Baumwollstoffen.
<b>Mix</b>	
Waschtemperatur	(-, 20°C, 30°C, 40°C)
Maximale Trockenladung	3.5 kg
Schleuderdrehzahl (U/min)	1400
Wäscheart / Beschreibung	Es eignet sich für leicht bis mäßig verschmutzte Baumwoll- und Synthetikstoffe.
<b>Power 49'</b>	
Waschtemperatur	(-, 20°C, 30°C,
Maximale Trockenladung	40°C) 2.5 kg
Schleuderdrehzahl (U/min)	1400
Wäscheart / Beschreibung	Es eignet sich zum Waschen einer kleinen Menge stark verschmutzter Wäsche, kurze Zeit für intensives Waschen.
<b>Schnell 15 Minuten</b>	
Washing temperature	(-, 20°C, 30°C, 40°C)
Maximum dry laundry amount	1 kg
Spin speed selection(rpm)	800
Laundry type / descriptions	Es eignet sich für eine kleine Wäscheladung oder leicht verschmutzte Wäsche. Eine Änderung der Standardeinstellungen verlängert die Waschzeit.
<b>Spülen + Schleudern</b>	
Waschtemperatur	-
Maximale Trockenladung	10 kg
Schleuderdrehzahl (U/min)	1200
Wäscheart / Beschreibung	Es eignet sich zum separaten Spülen und Schleudern der Wäsche. Für dieses Programm darf kein Waschmittel hinzugefügt werden.
<b>Schleudern</b>	
Waschtemperatur	-
Maximale Trockenladung	10 kg
Schleuderdrehzahl (U/min)	1400
Wäscheart / Beschreibung	Es eignet sich zum separaten Schleudern der Wäsche. Für dieses Programm dürfen weder Waschmittel noch Weichspüler hinzugefügt werden.
<b>Trommelreinigung</b>	
Waschtemperatur	(90°C)
Maximale Trockenladung	-
Schleuderdrehzahl (U/min)	800
Wäscheart / Beschreibung	Es wird verwendet, um die Trommel zu reinigen und Rückstände von Waschmittel sowie Bakterien zu entfernen, die sich insbesondere bei Verwendung von Niedrigtemperaturprogrammen ansammeln können. Für dieses Programm dürfen weder Waschmittel noch Weichspüler hinzugefügt werden.

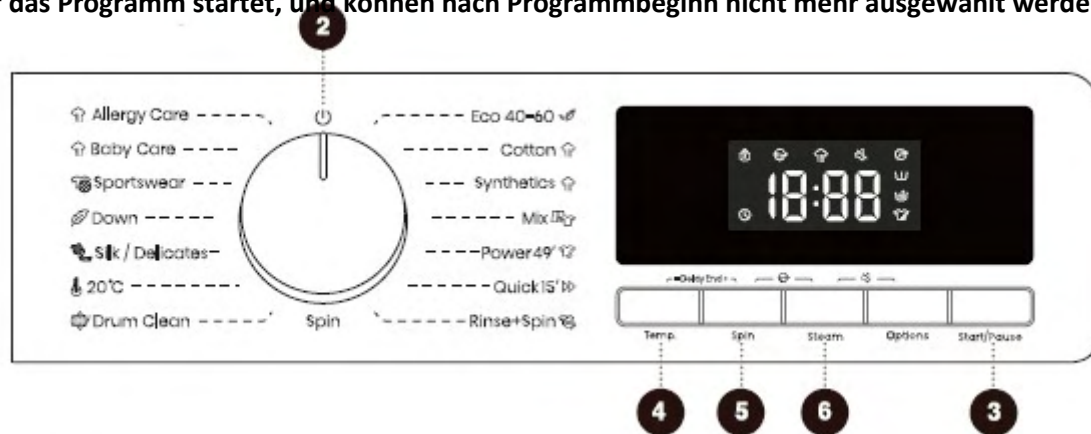
<b>20°C</b>	
Waschtemperatur	(20°C)
Maximale Trockenladung	10 kg
Schleuderdrehzahl (U/min)	1400
Wäscheart / Beschreibung	Es eignet sich für leicht bis mäßig verschmutzte Wäsche, um Energie zu sparen und die Umwelt zu schonen.
<b>Seide / Feinwäsche</b>	
Waschtemperatur	(-, 20°C, 30°C, 40°C)
Maximale Trockenladung	2 kg
Schleuderdrehzahl (U/min)	600
Wäscheart / Beschreibung	Es eignet sich zum Waschen von maschinenwaschbaren Seidenstoffen (siehe Pflegehinweise auf dem Wäscheetikett). Für dieses Programm wird kein Weichspüler empfohlen.
<b>Daunen</b>	
Waschtemperatur	(--, 20°C, 30°C, 40°C)
Maximale Trockenladung	2 kg
Schleuderdrehzahl (U/min)	600
Wäscheart / Beschreibung	Es eignet sich für maschinenwaschbare Artikel, die mit synthetischen Fasern gefüllt sind, wie Kissen, Matratzen und Bettdecken, sowie für Artikel, die mit Daunen gefüllt sind
<b>Sportbekleidung</b>	
Waschtemperatur	(--, 20°C, 30°C, 40°C)
Maximale Trockenladung	2.5 kg
Schleuderdrehzahl (U/min)	1000
Wäscheart / Beschreibung	Es eignet sich zum Waschen von maschinenwaschbarer Sportbekleidung.
<b>Babypflege</b>	
Waschtemperatur	(40°C, 60°C, 90°C)
Maximale Trockenladung	2 kg
Schleuderdrehzahl (U/min)	1200
Wäscheart / Beschreibung	Es eignet sich für Babykleidung und Unterwäsche usw., sterilisiert und desinfiziert durch Hochtemperatur-Dampf. Für dieses Programm wird kein Weichspüler empfohlen.
<b>Allergikerpflege</b>	
Waschtemperatur	(60°C)
Maximale Trockenladung	2 kg
Schleuderdrehzahl (U/min)	1200
Wäscheart / Beschreibung	Es eignet sich zum Waschen von hochtemperaturbeständiger, farbechter Kleidung, um durch hohe Temperaturen Pollen, Milben, Parasiten und andere Allergene zu entfernen.

- (1) Wassertemperatur: Wählen Sie die geeignete Wassertemperatur für das gewählte Waschprogramm. Beachten Sie stets die Pflegehinweise des Kleidungsherstellers, um Beschädigungen der Kleidung zu vermeiden.
  - (2) Die tatsächliche Wassertemperatur kann von der angegebenen Programmartemperatur abweichen.
  - (3) Die Testergebnisse hängen ab von Wasserdruck, Wasserhärte, Wassertemperatur am Zulauf, Raumtemperatur, Wäscheart und Beladungsmenge, Verschmutzungsgrad, verwendetem Waschmittel, Schwankungen in der Stromversorgung und gewählten Zusatzoptionen.
  - (4) Eine Überladung der Wäsche während des Waschzyklus kann die Waschleistung verringern, da das Gerät zunächst ein geringeres Gewicht erkennt und weniger Wasser verwendet. Unzureichendes Wasser kann außerdem die Wäsche beschädigen und die Waschzeit verlängern.
  - (5) Trommelreinigung (falls verfügbar): Stellen Sie sicher, dass die Trommel leer ist, bevor Sie das Trommelreinigungsprogramm verwenden. Es wird empfohlen, dieses Programm mindestens einmal pro Monat durchzuführen.
  - (6) Entkalkung: Verwenden Sie nur Entkalkungsmittel mit zusätzlichem Korrosionsschutz. (Nur nicht korrosive Entkalkungsmittel verwenden. Befolgen Sie die Anweisungen des Herstellers.) Schließen Sie den Entkalkungsvorgang ab, indem Sie das "Trommelreinigungsprogramm" (oder andere Hochtemperaturprogramme) mehrere Male ausführen, um eventuelle Rückstände des Entkalkungsmittels zu entfernen. Es wird empfohlen, dies mindestens einmal alle sechs Monate durchzuführen.
- Die maximale oder Nennbeladung gilt für Wäsche, die gemäß der Norm IEC 60456 vorbereitet wurde. Für ein besseres Waschergebnis wird empfohlen, die Trommel bei Verwendung der Baumwollprogramme zu zwei Dritteln zu beladen.

## Funktionen

Die meisten Programme verfügen über Grundeinstellungen, die jedoch geändert werden können. Passen Sie die Einstellungen an, indem Sie die entsprechende Funktions-Taste drücken (vor dem Drücken der START/PAUSE-Taste). Bestimmte Einstellungen können bei einigen Programmen nicht ausgewählt werden. Solche Einstellungen leuchten nicht auf, und beim Drücken der entsprechenden Taste ertönt ein akustisches Signal und die Taste blinkt.

Die zusätzlichen Einstellungen und Funktionen können nur im Bereitschaftsmodus eingestellt werden, also bevor das Programm startet, und können nach Programmbeginn nicht mehr ausgewählt werden.



### 2. Ein / Aus

Schalten Sie das Gerät ein oder aus.

Um das Programm während des Betriebs zu stoppen, drehen Sie den Programmwähler auf „“, um das Gerät auszuschalten.

Im Bereitschaftszustand oder nach Beendigung des Programms schaltet sich das Gerät automatisch aus, wenn innerhalb eines bestimmten Zeitraums keine Bedienung erfolgt.

### 3. Start / Pause

Starten oder pausieren Sie das Programm.

Wenn die Tür nicht geschlossen oder verriegelt ist, wird nach dem Drücken von „Start“ ein Alarm auf dem Display angezeigt.

### 4. Temperatur

Ändern Sie die Temperatur für das ausgewählte Programm. Jedes Programm hat eine voreingestellte Temperatur.

Drücken Sie diese Taste vor Programmstart, um die aktuelle Temperatureinstellung anzuzeigen. Drücken Sie sie erneut, um durch die voreingestellten Temperaturwerte zu scrollen (-- steht für Kaltwäsche). Die Heiztemperatur kann je nach Programm variieren.

### 5. Schleudern

Passen Sie die Schleuderdrehzahl vor Programmstart an. Drücken Sie diese Taste, um die aktuelle Schleuderdrehzahl anzuzeigen. Drücken Sie sie erneut, um durch die voreingestellten Werte zu scrollen.

### 6. Dampf

Diese Funktion kann Dampf erzeugen, Falten reduzieren oder beseitigen und die Kleidung weicher machen. Drücken Sie diese Taste, um die Funktion ein- oder auszuschalten.



## 7. Optionen

Drücken Sie diese Taste, um zusätzliche Programmfunktionen auszuwählen.

Es kann jeweils nur eine Funktion ausgewählt werden. Nachdem die Funktion gewählt wurde, leuchtet oder blinkt das entsprechende Symbol.

### Schneller

Diese Funktion kann die Waschzeit des Programms verkürzen und den Waschvorgang beschleunigen.

Bei Programmen mit automatischer Wäschewaage wird die automatische Wäschewaage nach Auswahl dieser Funktion deaktiviert und nach Deaktivierung der Funktion wieder aktiviert.

### Vorwäsche

Diese Funktion kann den Vorwaschvorgang vor dem Hauptwaschgang verlängern, um die Waschwirkung zu verbessern.

Bei Auswahl der Vorwäsche-Funktion geben Sie das Waschmittel in das Vorwaschfach des Waschmittelbehälters.

### Extra Spülen

Diese Funktion kann die Anzahl der Spülgänge für ein zusätzliches Programm erhöhen.

### Intensiv

Diese Funktion kann die Waschzeit verlängern und die Waschintensität erhöhen.

## 4+5. Programmende verzögern (Delay End)

Planen Sie den Waschgang zu einem für Sie passenden Zeitpunkt.

Nachdem Sie das Programm und die Funktionen ausgewählt haben, stellen Sie die Verzögerungsoption ein. Halten Sie die „Temp. + Spin“-Taste gedrückt, um die Reservierungsfunktion zu aktivieren.

Drücken Sie anschließend die Temp.- oder Spin-Taste, um die voreingestellte Zeit zu verringern oder zu erhöhen. Jede Betätigung ändert die Zeit um 1 Stunde, maximal bis zu 24:00 Stunden.

Die Verzögerungszeit entspricht dem Endzeitpunkt des Programms, also inklusive der gesamten Programmlaufzeit. Die Verzögerungszeit muss daher länger sein als die Programmlaufzeit.

Wenn die Verzögerungsfunktion aktiviert ist, leuchtet das „Temp. + Spin“-Symbol. Nach Ablauf der eingestellten Zeit erlischt das Symbol.

Wird die Verzögerungsfunktion vor Programmbeginn ausgewählt, kann sie durch die Wahl eines anderen Programms oder einer anderen Funktion deaktiviert werden.

Um die Verzögerungsfunktion nach Programmstart zu deaktivieren, muss das Gerät ausgeschaltet und neu gestartet werden.



## 5+6. ChildLock

The appliance features a child lock to prevent accidental operation by children and ensure their safety.

Press and hold the "Spin+Steam" buttons simultaneously to activate the child lock. The child lock icon " " lights up. Repeat the same operation to deactivate the child lock. When the Child Lock is set, all buttons except the power are locked.

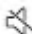
After completing the program, the child lock will be automatically released.



5+6.

Das Gerät verfügt über eine Kindersicherung, um versehentliche Bedienung durch Kinder zu verhindern und deren Sicherheit zu gewährleisten.

Halten Sie die Tasten „Spin + Steam“ gleichzeitig gedrückt, um die Kindersicherung zu aktivieren. Das Symbol „Kindersicherung“ leuchtet auf.

gleichzeitig, das  Das „Stumm“-Symbol leuchtet auf, um die Stummfunktion zu aktivieren.

Wiederholen Sie denselben Vorgang, um die Stummfunktion zu deaktivieren und alle akustischen Signale wiederherzustellen.

## 12. Anzeige

Sie dient zur Anzeige der verbleibenden Zeit, der voreingestellten Startzeit, des Fehlercodes und anderer programmbezogener Informationen.

### Symbolbeschreibung

 Türverriegelungsanzeige. Das Symbol für die Türverriegelung leuchtet auf, und die Tür ist verriegelt.

Öffnen Sie die Tür nicht gewaltsam, um Verletzungen zu vermeiden.

### Funktionstabelle

Programm	Temp	Schleudern	Dampf	Schneller	Vorwäsche	Extra-Spülen	Intensiv	Delay End	Kindersicherung	Stumm
Eco40-60	-	●	-	-	-	-	-	●	●	●
Baumwolle	●	●	●	●	●	●	●	●	●	●
Synthetik	●	●	●	●	●	●	●	●	●	●
Mix	●	●	-	●	●	●	●	●	●	●
Ein/Aus 49'	●	●	-	●	●	●	-	●	●	●
Schnell 15'	●	●	-	-	-	●	-	●	●	●
Spülen+Schleudern	-	●	-	-	-	●	-	●	●	●
Spin	-	●	-	-	-	-	-	●	●	●
DrumClean	-		-	-	-	-	-	●	●	●
20C	-	●	-	-	●	●	●	●	●	●
Seide/Feinwäsche	●	●	-	-	-	●	-	●	●	●
Daunen	●	●	-	-	-	●	-	●	●	●
Sportbekleidung	●	●	-	-	●	●	●	●	●	●
Babypflege	●	●	○	●	●	●	●	●	●	●
Allergikerpflege	-	●	○	-	●	●	●	●	●	●

● Optionale Funktionen

### Nicht auswählbare Funktionen

○ Nicht deaktivierbare integrierte Standardfunktionen

## Starten und Beenden des Programms

Sobald Sie das Programm und die Zusatzfunktionen ausgewählt und das Waschmittel in die Waschmittelschublade gegeben haben, drücken Sie die Taste „Start/Pause“, um das Programm zu starten.



Sobald Sie die Taste „Start/Pause“ gedrückt haben, können keine Einstellungen mehr geändert werden, außer die Aktivierung/Deaktivierung der Kindersicherung und Stummschaltung (falls vorhanden) sowie die Anpassung des Wasserstands (falls vorhanden). Wenn das Programm startet, erscheint „----“ auf dem Display, um anzuzeigen, dass die Wäsche gewogen wird.

Nach dem Start des Programms leuchtet das Symbol „“ auf dem Display. Nach Abschluss des Programms erlischt das Symbol. Wenn Sie während des Programmablaufs die Taste „Start/Pause“ drücken, und alle

wenn die Bedingungen zum Öffnen der Tür erfüllt sind, leuchtet das Symbol  erlischt ebenfalls

Wenn dieses Symbol nicht erlischt, bedeutet dies, dass die Tür nicht geöffnet werden kann. Versuchen Sie in diesem Fall nicht, die Tür gewaltsam zu öffnen.

Wenn die Zeit auf dem Display blinkt, während das Programm pausiert ist, prüfen Sie, ob die Tür richtig geschlossen ist, und drücken Sie die Taste „Start/Pause“, um das Programm fortzusetzen.

Ein akustisches Signal zeigt das Ende des Programms an. Auf dem Display erscheint „End“.

Das Gerät schaltet sich automatisch aus, wenn über einen bestimmten Zeitraum keine Bedienung erfolgt.

1. Schalten Sie das Gerät aus.
2. Schließen Sie den Wasserhahn.
3. Ziehen Sie das Netzkabel aus der Steckdose.
4. Schließen Sie die Waschmaschinentür.
5. Entnehmen Sie die Wäsche aus der Trommel.

Einige Programme erkennen automatisch das Gewicht der Wäsche vor dem Waschgang und passen die Programmdauer entsprechend an.

## Unterbrechung und Programmänderung

### PROGRAMM UNTERBRECHEN

Um das Programm während des Betriebs zu stoppen oder abubrechen, müssen Sie das Gerät ausschalten.

### PROGRAMM ÄNDERN

Um das Programm während des Betriebs zu ändern, schalten Sie das Gerät aus und wieder ein, wählen Sie das gewünschte Programm und die Zusatzfunktionen aus und drücken Sie dann die Start/Pause-Taste, um das neue Programm zu starten.

### PROGRAMM PAUSIEREN

Sie können das Programm jederzeit durch Drücken der Start/Pause-Taste stoppen. Wenn die verbleibende Programmzeit auf dem Display blinkt, ist das Programm vorübergehend pausiert. Wenn die folgenden Bedingungen erfüllt sind, wird die Türverriegelung aufgehoben und Sie können die Tür öffnen:

1. Die Temperatur in der Trommel muss sicher sein.
2. Das Wasser in der Trommel muss unter einem bestimmten Pegel liegen.

### Programm fortsetzen und Wäsche hinzufügen

Um das Programm fortzusetzen, schließen Sie die Tür und drücken Sie die Taste „Start/Pause“.

- Wenn das Waschprogramm pausiert und dann wieder gestartet wird, wird es an der Stelle fortgesetzt, an der es pausiert wurde.
- Wenn das Schleuderprogramm pausiert und dann wieder gestartet wird, beginnt es von Anfang an.

### Wäsche während des Programms hinzufügen

Um während des Programms Wäsche hinzuzufügen, warten Sie, bis der Wasserstand und die Temperatur in der Trommel unter einem definierten Schwellenwert liegen.

1. Drücken Sie die Taste „Start/Pause“, um das Programm zu pausieren; die verbleibende Zeit blinkt auf dem Display, und das Türverriegelungssymbol erlischt (bei einigen Modellen leuchtet das „Wäsche hinzufügen“-Symbol „“).
2. Öffnen Sie die Tür, um Wäsche hinzuzufügen.

Wenn das Türverriegelungssymbol aktiv ist, sind die Bedingungen zum Öffnen der Tür nicht erfüllt, und es kann keine Wäsche hinzugefügt werden.

Wenn während des Waschens eine erhebliche Menge zusätzlicher Wäsche hinzugefügt wird und der Wasserstand unzureichend ist, kann die Reinigungswirkung abnehmen, da das Gerät die Wasseraufnahme anhand des ursprünglichen Gewichts der Wäsche berechnet. Unzureichendes Wasser kann außerdem die Wäsche durch Reibung beschädigen und die Waschzeit verlängern.

### Fehler

Bei einem Fehler wird das Programm unterbrochen. Blinkende Signalleuchten und ein akustisches Signal weisen auf den Fehler hin (siehe Kapitel FEHLERCODES UND FEHLERSUCHE), und der Fehlercode (FXX) wird auf dem Display angezeigt.

### Stromausfall

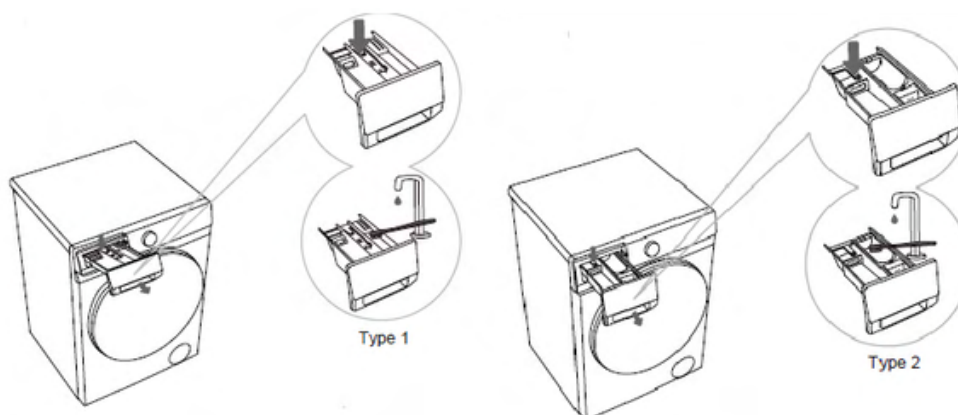
Im Falle eines Stromausfalls wird das Waschprogramm unterbrochen.

- Sobald die Stromversorgung wiederhergestellt ist, wird das Programm an der Stelle fortgesetzt, an der es unterbrochen wurde.
- Wenn nach einem Stromausfall noch Wasser in der Maschine ist, öffnen Sie die Tür nicht, bis das Wasser manuell über den Pumpenfilter abgepumpt wurde.

## 8. WARTUNG UND REINIGUNG

Regelmäßige Wartung kann die Lebensdauer des Geräts verlängern. Vor der Wartung den Netzstecker der Waschmaschine ziehen und den Wasserhahn schließen. Kinder dürfen die Waschmaschine ohne Aufsicht nicht reinigen oder Wartungsarbeiten durchführen.

### Reinigen der Waschmittelschublade

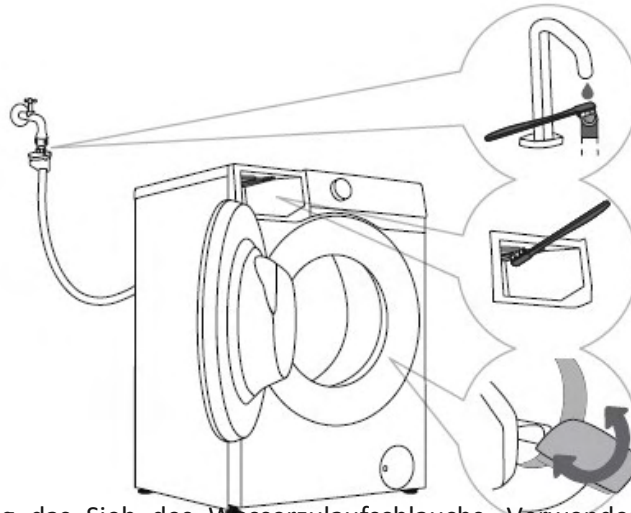


1. Drücken Sie den Begrenzungshebel und ziehen Sie die Waschmittelschublade heraus. (Siehe die durch den Pfeil im linken Diagramm angezeigte Position)

- Reinigen Sie die Waschmittelschublade mit einer Bürste, spülen Sie sie unter fließendem Wasser ab und wischen Sie sie anschließend trocken. Entfernen Sie alle Waschmittelreste vom Boden des Gehäuses. Setzen Sie dann die Waschmittelschublade wieder an ihren Platz ein.

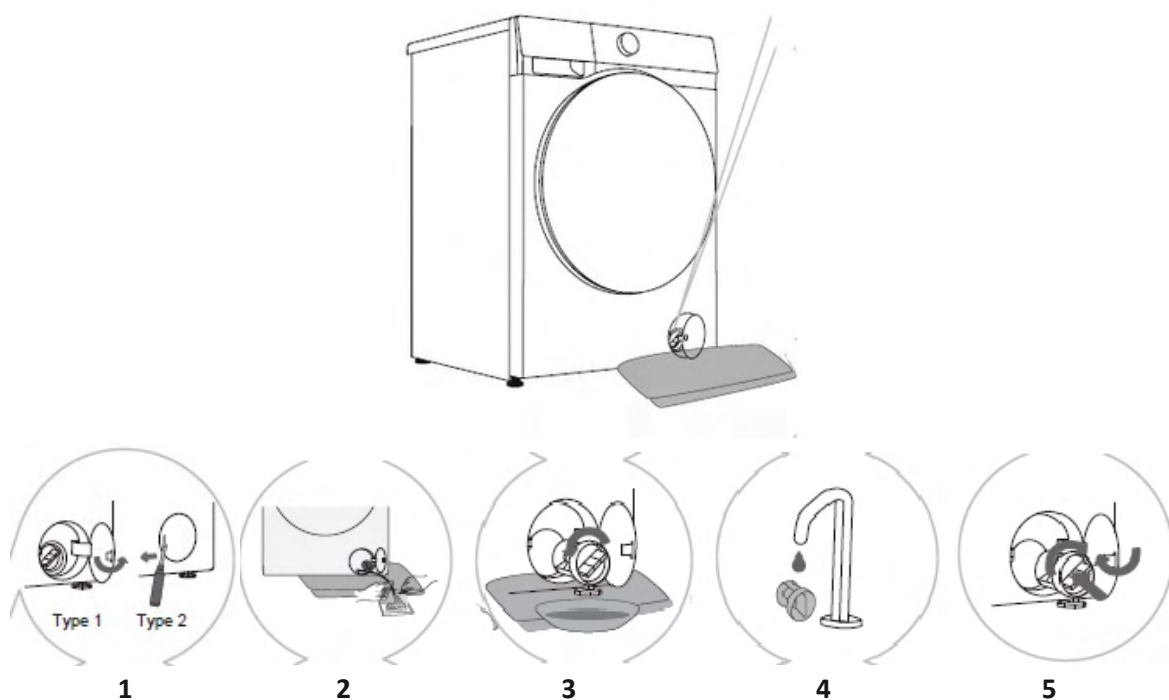
Die Waschmittelschublade nicht in der Spülmaschine reinigen.

## Reinigen des Wasserzulaufschlauchs, des Waschmittelbehälters und der Gummidichtung der Tür



- Reinigen Sie regelmäßig das Sieb des Wasserzulaufschlauchs. Verwenden Sie eine Bürste, um das gesamte Waschmittelgehäuse zu reinigen, insbesondere die Düsen oben.
- Wischen Sie nach jedem Waschgang die Gummidichtung der Tür ab, um ihre Lebensdauer zu verlängern.
- Um Schimmelbildung an der Dichtung zu vermeiden, lassen Sie die Tür nach dem Waschen leicht geöffnet, damit die Feuchtigkeit verdampfen kann, bevor Sie die Tür schließen.

## Reinigen des Pumpenfilters



1. Öffnen Sie die Pumpenfilterabdeckung. **Typ 1:** Drücken Sie die Pumpenfilterabdeckung, um sie zu öffnen. **Typ 2:** Verwenden Sie ein geeignetes Werkzeug (Schlitzschraubendreher oder ähnliches), um die Pumpenfilterabdeckung zu öffnen. (Der Typ hängt vom Modell ab.)
2. Legen Sie ein Handtuch unter die Filterabdeckung. Wenn das Gerät mit einem Ablaufschlauch ausgestattet ist, führen Sie das Ende des Schlauchs in einen Behälter. Drehen Sie den Ablaufschlauchstopfen, bis er sich löst, und entfernen Sie ihn, damit das Wasser langsam abfließt. Setzen Sie dann den Ablaufschlauchstopfen wieder ein. Wenn kein Ablaufschlauch vorhanden ist, stellen Sie einen Behälter unter den Pumpenfilter. (Der Typ hängt vom Modell ab.)
3. Drehen Sie den Pumpenfilter langsam gegen den Uhrzeigersinn. Ziehen Sie den Pumpenfilter heraus, damit das Wasser langsam abfließt.
4. Reinigen Sie den Pumpenfilter unter fließendem Wasser.
5. Setzen Sie den Pumpenfilter wie in der Abbildung gezeigt wieder ein und drehen Sie ihn im Uhrzeigersinn fest. Für eine gute Abdichtung sollte die Dichtungsfläche des Filters sauber sein.

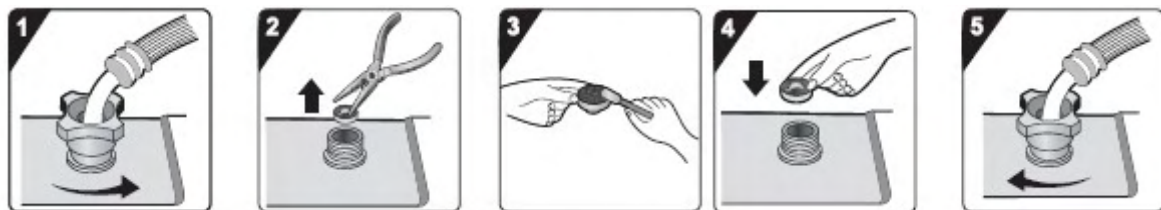
Der Pumpenfilter muss regelmäßig gereinigt werden, besonders nach dem Waschen von stark flauschiger, wolliger oder sehr alter Wäsche. Reinigen Sie den Pumpenfilter auch, wenn das Gerät den Schleudergang nicht starten kann oder sich Fremdkörper in der Pumpe befinden (Knöpfe, Münzen, Haarnadeln oder Clips usw.). Öffnen Sie den Pumpenfilter nicht, während das Gerät in Betrieb ist. Bedienen Sie das Gerät erst wieder, wenn der Pumpenfilter sicher eingesetzt ist, um Lecks oder Fehlfunktionen zu vermeiden.

## Reinigung des Zulauffilters

Überprüfen und reinigen Sie den Zulauffilter regelmäßig.

Reinigen Sie den Zulauffilter sofort, wenn die Wasserversorgung langsam ist.

Die Vorgehensweise ist wie folgt:



1. Schließen Sie den Wasserhahn und schrauben Sie den Zulaufschlauch ab.
2. Entfernen Sie den Zulauffilter.
3. Reinigen Sie den Zulauffilter.
4. Setzen Sie den Zulauffilter wieder ein.
5. Schließen Sie den Zulaufschlauch an. Öffnen Sie den Wasserhahn und prüfen Sie, ob an der Verbindung keine Lecks auftreten.

Der Zulauffilter sammelt Verunreinigungen und Ablagerungen aus der Wasserversorgung. Es wird empfohlen, ihn mindestens alle sechs Monate zu reinigen oder häufiger, wenn Sie hartes Wasser haben oder Kalkablagerungen feststellen.

## Cleaning the exterior

Trennen Sie die Waschmaschine stets vom Stromnetz, bevor Sie sie reinigen. Reinigen Sie das Gehäuse und das Display der Waschmaschine mit einem weichen, feuchten Baumwolltuch und Wasser. Anschließend mit einem weichen, trockenen Tuch abwischen. Verwenden Sie keine Lösungsmittel oder Reinigungsmittel, die die Waschmaschine beschädigen könnten (bitte beachten Sie die Empfehlungen und Warnhinweise der Reinigungsmittelhersteller). Reinigen Sie die Tür der Waschmaschine mit einem feuchten Tuch und wischen Sie sie anschließend mit einem weichen, trockenen Tuch trocken. Verwenden Sie beim Reinigen keine übermäßige Wassermenge.

## 9. FEHLERSUCHE

Fehlererscheinung	Empfohlene Gegenmaßnahmen
<p>Maschine startet nicht</p>	<p>Überprüfen Sie, ob das Netzkabel in die Steckdose eingesteckt ist und ob die Steckdose ordnungsgemäß funktioniert (z. B. durch Testen mit einem anderen Gerät).</p> <p>Überprüfen Sie, ob die Tür richtig geschlossen ist.</p> <p>Überprüfen Sie, ob die „Start/Pause“-Taste gedrückt wurde.</p> <p>Maschine stoppt während des normalen Betriebs:</p> <p>Überprüfen Sie, ob die Tür richtig geschlossen ist. Tür schließen und die „Start/Pause“-Taste drücken.</p> <p>Überprüfen Sie auf übermäßigen Schaum. Das Gerät kann das Programm zum Entschäumen pausieren. Nach dem Entschäumungsprozess setzt das Gerät den Betrieb automatisch fort.</p> <p>Überprüfen Sie, ob die Sicherheitsabschaltung aktiviert wurde.</p>
<p>Die zu Beginn des Programms angezeigte Zeit erhöht oder verringert sich.</p>	<p>Dies ist die adaptive Anpassung des Geräts an die Faktoren, die die Waschzeit beeinflussen.</p> <p>Zu viel Schaum.</p> <p>Ungleichgewicht durch große Wäsche.</p> <p>Verlängerte Heizzeit aufgrund niedriger Wassertemperatur.</p> <p>Infolge dieser Faktoren wird die verbleibende angezeigte Zeit neu berechnet und entsprechend aktualisiert (wenn das Gerät eine Unwuchtanpassung vornimmt, bleibt die angezeigte Zeit unverändert).</p> <p>Zusätzlich erkennt das Gerät die Beladung während der Wasserversorgung und passt die Programmlaufzeit entsprechend an (Fuzzy-Control).</p>
<p>Restliches Waschmittel oder andere Zusätze in der Waschmittelschublade nach dem Waschen</p>	<p>Überprüfen Sie, ob die Waschmittelschublade korrekt eingesetzt und sauber gehalten wird.</p> <p>Überprüfen Sie, ob der Wasserdruck normal ist und ob der Zulauffilter verstopft ist.</p>
<p>Geruch in der Maschine</p>	<p>Der Geruch kann durch die Gummimaterialien im Inneren des Geräts verursacht werden. Es handelt sich um den Geruch von Gummi, der nach einigen Nutzungen verschwindet.</p>
<p>Abnormale Geräusche/Widerstände während des Waschens</p>	<p>Fremdkörper wie Schlüssel, Münzen oder Stecknadeln könnten in die Trommel gefallen sein.</p> <p>Schalten Sie das Gerät aus und überprüfen Sie die Trommel auf Fremdkörper.</p> <p>Wenn das Geräusch nach dem Neustart weiterhin besteht, wenden Sie sich bitte an den Kundendienst.</p> <p>Die Wäsche könnte ungleichmäßig in der Trommel verteilt sein.</p> <p>Programm pausieren, Tür entriegeln und die Wäsche gleichmäßig verteilen.</p>
<p>Starke Vibrationen beim Schleudern</p>	<p>Überprüfen Sie, ob die Schleuderdrehzahl auf „0“ oder „Keine Schleuderung“ eingestellt ist.</p> <p>Überprüfen Sie, ob das Gerät waagrecht steht und alle vier Füße fest auf dem Boden sitzen.</p> <p>Überprüfen Sie, ob die Transportschrauben/-stangen entfernt wurden.</p> <p>Transportschrauben/-stangen müssen vor der Inbetriebnahme des Geräts entfernt werden.</p> <p>Überprüfen Sie, ob alle Schaumstützen von der Unterseite des Geräts entfernt wurden.</p>
<p>Schlechte Schleuderwirkung</p>	<p>Das Gerät ist mit einem System zur Erkennung und Korrektur von Unwuchten ausgestattet. Nach der Erkennung einer Unwucht durch schwere Wäsche (z. B. Bademäntel) und mehreren Schleuder-Versuchen reduziert das System automatisch die Schleuderdrehzahl oder stoppt den Schleudervorgang, um das Gerät zu schützen.</p> <p>Wenn die Wäsche nach dem Schleudern noch sehr nass ist, nehmen Sie die Wäsche aus der Trommel, lockern Sie sie auf, und wählen Sie anschließend das Schleuderprogramm erneut.</p> <p>Übermäßiger Schaum kann die Schleuderwirkung beeinträchtigen. Achten Sie darauf, eine geeignete Menge eines niedrig schäumenden Waschmittels zu verwenden.</p>

Wasserleckage	<p>Leckage am Wasserversorgungsschlauch: Überprüfen Sie die Verbindung zwischen Wasserhahn und Anschluss des Wasserschlauchs auf Undichtigkeiten. Falls ein Leck vorhanden ist, umwickeln Sie das Ende des Wasserhahns mit Dichtband oder ersetzen Sie den Wasserhahn.</p> <p>Es wird empfohlen, die Verbindung zwischen Schlauchanschluss und Zulaufventil auf Dichtheit zu prüfen. Ziehen Sie die Verbindung fest, um Leckagen zu vermeiden.</p> <p>Leckage am Ablaufschlauch: Bei Modellen mit oberem Ablauf dürfen die Schlauchclips nicht entfernt werden, da sonst Wasser kontinuierlich abfließt.</p> <p>Leckage an der Waschmittelschublade: Die Schublade ist nicht richtig geschlossen. Drücken Sie den Griff, um die Schublade fest zu schließen.</p> <p>Leckage an der Türdichtung: Überprüfen Sie die Türdichtung auf Fremdkörper und reinigen Sie sie bei Bedarf.</p>
Zerknaushtes/gefaltetes Wäschestück	<p>Die Wäsche wird nicht umgehend aus der Trommel genommen. Entfernen Sie die Wäsche nach Abschluss des Waschprogramms sofort aus der Trommel. Die Maschine ist überladen.</p> <p>Die Trommel sollte nicht vollständig mit Wäsche gefüllt sein, und die Tür sollte sich leicht schließen lassen.</p> <p>Die Schleuderdrehzahl ist zu hoch.</p> <p>Stellen Sie eine geeignete Schleuderdrehzahl für die jeweilige Wäscheart ein.</p>

## Fehlercodes

Beschreibung	Mögliche Ursache	Lösung
<b>F01</b>	Wasserzulauf fehler	<p>Überprüfen Sie Folgendes:</p> <ol style="list-style-type: none"> <li>1. Ist der Wasserhahn geöffnet? Ist der Wasserdruck zu niedrig?</li> <li>2. Ist der Wasserzulaufschlauch geknickt?</li> <li>3. Ist der Zulaufilter verstopft?</li> <li>4. Ist der Wasserzulaufschlauch gefroren?</li> <li>5. Nach der Fehlerbehebung drücken Sie die „Start/Pause“-Taste, um den Betrieb fortzusetzen.</li> </ol>
<b>F03</b>	Wasserablauf fehler	<p>Überprüfen Sie Folgendes:</p> <ol style="list-style-type: none"> <li>1. Ist der Ablaufschlauch geknickt? Fließt das Wasser durch den Schlauch?</li> <li>2. Ist der Filter am Ablaufschlauch verstopft?</li> <li>3. Ist der Ablaufschlauch gefroren?</li> <li>4. Nach der Fehlerbehebung drücken Sie die „Start/Pause“-Taste, um den Betrieb fortzusetzen.</li> </ol>
<b>F24</b>	Überlauf	<p>Programm anhalten und neu starten.</p> <p>Wenn das Gerät weiterhin überläuft, schließen Sie den Wasserhahn und wenden Sie sich an einen Servicetechniker.</p>
<b>F13</b>	Türverriegelungsfehler	<p>Die Tür ist geschlossen, kann aber nicht verriegelt werden.</p> <p>Schalten Sie das Gerät aus und wieder ein. Starten Sie das Waschprogramm erneut.</p>
<b>F14</b>	Türöffnungsfehler	<p>Wenn der Fehler weiterhin besteht, wenden Sie sich an einen Servicetechniker.</p> <p>Die Tür ist geschlossen, kann aber nicht entriegelt werden.</p> <p>Schalten Sie das Gerät aus und wieder ein. Wenn der Fehler weiterhin besteht, wenden Sie sich an einen Servicetechniker.</p>
<b>Other</b>	Elektronikmodul-Fehler	<p>Schalten Sie das Gerät aus und wieder ein. Starten Sie das Waschprogramm erneut.</p> <p>Wenn der Fehler weiterhin besteht, wenden Sie sich an einen Servicetechniker.</p>
<b>Unb</b>	Unwucht-Alarm	<p>Der Unwucht-Alarm kann durch folgende Maßnahmen behoben werden:</p> <ol style="list-style-type: none"> <li>1. Wäsche verknotet</li> </ol>

		<p>Wenn die Wäsche verknötet ist, schalten Sie zunächst das Gerät aus, öffnen Sie die Tür, lösen Sie die Wäsche durch Schütteln und legen Sie sie zurück in die Trommel. Schließen Sie dann die Tür und wählen Sie erneut das Schleuderprogramm.</p> <p>2. Untergewichtige Wäsche</p> <p>Schalten Sie das Gerät aus, öffnen Sie die Tür und legen Sie zusätzliche Wäsche (oder ein bis zwei Handtücher) hinein. Schließen Sie anschließend die Tür und wählen Sie erneut das Schleuderprogramm.</p>
--	--	---

### Vor dem Anrufen eines Servicetechnikers

Wenn Sie das Servicezentrum kontaktieren, geben Sie bitte Ihr Geräte-Modell an.

Modell, Code/ID, Typ und Seriennummer finden Sie auf dem Typenschild des Geräts.

Im Falle eines Defekts dürfen nur von autorisierten Herstellern genehmigte Ersatzteile verwendet werden. Reparaturen oder Garantieansprüche aufgrund falscher Anschlüsse oder unsachgemäßer Nutzung des Geräts sind nicht durch die Garantie abgedeckt. In solchen Fällen trägt der Benutzer die Reparaturkosten.

### Nutzungsempfehlungen

- Beim ersten Waschen von farbiger Wäsche separat nach Farben waschen.
- Stark verschmutzte Wäsche in kleineren Mengen waschen, dabei mehr Pulverwaschmittel oder einen Vorwaschgang (falls verfügbar) verwenden. Hartnäckige Flecken vor dem Waschen mit einem speziellen Fleckenentferner behandeln. Wir empfehlen, die Hinweise unter „Fleckenentfernungstipps“ zu beachten.
- Wenn häufig bei niedrigen Temperaturen und mit Flüssigwaschmitteln gewaschen wird, können sich Bakterien entwickeln und Gerüche im Gerät verursachen. Um dies zu vermeiden, empfehlen wir gelegentlich das Programm „Trommelreinigung“ (oder andere Hochtemperaturprogramme) auszuführen.
- Sehr kleine Waschladungen vermeiden, da dies zu erhöhtem Energieverbrauch und schlechter Waschleistung führt.
- Falten oder verknötete Wäsche vor dem Einlegen in die Trommel auflockern.
- Nur Waschmittel für Waschmaschinen verwenden.
- Bei Wasserhärte über 14°dH sollte ein Wasserenthärter verwendet werden. Schäden am Heizelement durch unsachgemäße Verwendung von Wasserenthärtern sind nicht von der Garantie abgedeckt. Informationen zur Wasserhärte erhalten Sie bei Ihrem örtlichen Wasserversorger.
- Chlorhaltige Bleichmittel sollten vermieden werden, da sie das Heizelement beschädigen können.
- Bei Verwendung von Entkalkern, Bleichmitteln oder Farbstoffen nur solche verwenden, die für den Einsatz im Gerät geeignet sind.
- Keine Lösungsmittel oder ähnliche Chemikalien (z. B. Verdünner, Terpentin, Benzin) verwenden.
- Keine verkrusteten Pulverwaschmittelreste in die Waschmittelschublade geben, da dies die Leitungen verstopfen kann.
- Pulver- oder Flüssigwaschmittel gemäß Herstellerangaben, Waschtemperatur und gewähltem Programm dosieren.
- Konzentrierte Flüssigwaschmittel sollten mit Wasser verdünnt werden, um Verstopfungen im Spender zu vermeiden.
- Flüssigwaschmittel ist für Programme ohne Vorwäsche geeignet.
- Waschmittel und Weichspüler nicht vermischen.
- Bei höheren Schleudergeschwindigkeiten verbleibt weniger Restfeuchte in der Wäsche, wodurch das Trocknen im Trockner schneller und energieeffizienter erfolgt.

### Verbrauchstabelle

1. Das Eco40-60-Programm kann normal verschmutzte Baumwollwäsche bei etwa 40–60 °C gemeinsam reinigen und dient zur Bewertung der Einhaltung der EU-Ökodesign-Richtlinie.
2. Der Stromverbrauch im Aus-Zustand beträgt 0,49 W.
3. Die energieeffizientesten Programme sind in der Regel diejenigen, die bei niedrigen Temperaturen und längerer Dauer arbeiten.

4. Das Befüllen der Waschmaschine bis zur vom Hersteller für die jeweiligen Programme angegebenen Kapazität trägt zur Energie- und Wassereinsparung bei.
5. Korrekte Verwendung von Waschmittel, Weichspülern und anderen Zusätzen. Kein übermäßiges Waschmittel verwenden, da dies das Waschergebnis negativ beeinflussen kann.
6. Regelmäßige Reinigung, einschließlich optimaler Reinigungsfrequenz, Entkalkung und Vorgehensweise.
7. Geräusentwicklung und Restfeuchte werden durch die Schleuderdrehzahl beeinflusst: Je höher die Drehzahl in der Schleuderphase, desto höher das Geräusch und desto niedriger die Restfeuchte.
8. Produktinformationen und QR-Code sind auf dem Energielabel angegeben. Die Produktregistrierungsinformationen können durch Scannen des QR-Codes abgerufen werden.
9. Informationen zu den Standardprogrammen.

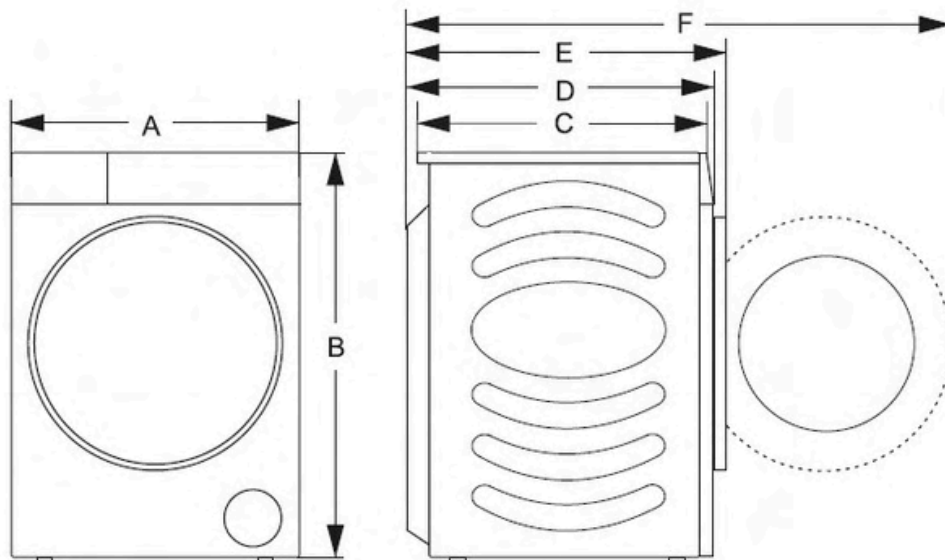
Programm	Nennkapazität	Ausgewählte Temperatur	Maximale temp	Programmdauer	Energieverbrauch (kWh/Zyklus)	Wasserverbrauch (Liter/Zyklus)	Restfeuchte (%)	Schleudern (U/min)
Eco 40-60	7 kg	-	237C	03:28	0.638	48	53	1400
Eco 40-60 ½ load Eco	3.5 kg	-	33C	02:42	0.380	35	53.9	1400
40-60 ¼ load	2 kg	-	23C	02:40	0.235	25	55	1400
Baumwolle	7 kg	20C	20C	01:50	0.120	66	68	1000
Baumwolle	7 kg	60C	52C	03:38	1.060	100	58	1400
Synthetik	3.5 kg	40C	40C	02:19	0.650	65	38	1400
Quick 15	1 kg	20C	20C	00:15	0.040	23	75	800

Die angegebenen Werte für Programme außer dem Eco 40-60-Programm sind nur Richtwerte. Die maximale oder Nennbeladung gilt für Wäsche, die gemäß der IEC 60456-Norm vorbereitet wurde. Aufgrund von Abweichungen in Bezug auf Art und Menge der Wäsche, Schleudern, Schwankungen in der Stromversorgung sowie Umgebungstemperatur und Luftfeuchtigkeit können sich Programmdauer und Energieverbrauch beim Endanwender von den in der Tabelle angegebenen Werten unterscheiden. Wir behalten uns Änderungen und Irrtümer in der Bedienungsanleitung vor.

## TECHNISCHE DATEN

Produkt	HWM-HME1014IVA10+++
Farbe	220-240V – 50Hz
Nennkapazität	10 kg
Nennleistung	1600 W 595 x 470 x 845
Produktabmessungen (BxTxH)	61 kg
Nettogewicht	

Abmessungen	A	595 mm
	B	845 mm
	C	385 mm
	D	435 mm
	E	470 mm
	F	920 mm



Die technischen Informationen befinden sich auf dem Typenschild auf der Innenseite des Geräts sowie auf dem Energielabel. Der QR-Code auf dem mitgelieferten Energielabel führt zu einer Webseite mit Informationen über die Leistung des Geräts in der EU-EPREL-Datenbank. Bewahren Sie das Energielabel zusammen mit der Bedienungsanleitung und allen weiteren Unterlagen zu diesem Gerät auf.

Die gleichen Informationen können auch über die EPREL-Webseite unter <https://eprel.ec.europa.eu> abgerufen werden, indem Sie den Modellnamen und die Produktnummer verwenden, die Sie auf dem Typenschild des Geräts finden.

Um auf die Informationen zu Ihrem Produkt im EPREL-Portal zuzugreifen, können Sie die untenstehenden Codes scannen.



Vielen Dank für den Kauf dieses Produkts. Wenn Sie Unterstützung zu Ihrem Gerät benötigen, besuchen Sie unsere Website über die folgenden Links:.

**Bedienungsanleitungen:** <https://www.heinner.ro>

**Serviceinformationen:** <https://www.heinner.ro>



### Umweltgerechte Entsorgung

Sie können helfen, die Umwelt zu schützen! Bitte beachten Sie die örtlichen Vorschriften: Geben Sie nicht funktionierende Elektrogeräte bei einer geeigneten Sammelstelle für Elektroschrott ab.



**HEINNER** ist eine eingetragene Marke von **Network One Distribution SRL**. Andere Marken- und Produktnamen sind Marken oder eingetragene Marken ihrer jeweiligen Inhaber.

Keine Teile der Spezifikationen dürfen in irgendeiner Form oder auf irgendeine Weise reproduziert oder verwendet werden, um Derivate wie Übersetzungen, Umwandlungen oder Anpassungen ohne Genehmigung von NETWORK ONE DISTRIBUTION herzustellen.

Copyright © 2013 Network One Distribution. All rights reserved.

[www.heinner.com](http://www.heinner.com), <http://www.nod.ro>



Dieses Produkt entspricht den Normen und Standards der Europäischen Gemeinschaft.



Importeur: **Network One Distribution**, Strada Marcel

Iancu 3-5, Bukarest, Rumänien

Tel.: +40 21 211 18 56, [www.heinner.com](http://www.heinner.com) , [www.nod.ro](http://www.nod.ro)

# AUTOMATISCHE WASMACHINE

Model:

HWM-HME1014IVA10+++



- Automatische Wasmachine
- Inhoud: 10 kg
- Energie-efficiëntieklasse: A

**HEINNER**

## 1. INLEIDING

Lees de instructies zorgvuldig door en bewaar de handleiding voor toekomstige referentie.

Deze handleiding is ontworpen om alle noodzakelijke instructies te geven met betrekking tot de installatie, het gebruik en het onderhoud van het apparaat. Om het apparaat correct en veilig te gebruiken, leest u deze handleiding aandachtig door vóór installatie en gebruik.

## 2. INHOUD VAN UW PAKKET

- Automatische wasmachine
- Gebruikershandleiding
- Garantiebewijs

## 3. VEILIGHEIDSMATREGELE

### Veiligheidsvoorschriften

- Gebruik het apparaat niet zonder deze handleiding te begrijpen of te lezen. Het niet opvolgen van de instructies of onjuist gebruik kan schade aan de was of het apparaat veroorzaken, of leiden tot persoonlijk letsel. Bewaar de handleiding altijd in de buurt van het apparaat voor gemakkelijke toegang.
- Dit apparaat is bedoeld voor huishoudelijk gebruik. Als het apparaat voor professioneel, winstgevend gebruik wordt gebruikt of voor doeleinden die normaal huishoudelijk gebruik overschrijden, of als het apparaat wordt gebruikt door een persoon die geen consument is, geldt de garantieperiode die gelijk is aan de kortste garantieperiode die volgens de relevante wetgeving vereist is.
- Dit apparaat is niet bedoeld voor gebruik door personen (inclusief kinderen) met verminderde lichamelijke, zintuiglijke of mentale capaciteiten, of een gebrek aan ervaring en kennis, tenzij zij toezicht of instructie hebben gekregen over het gebruik van het apparaat door een persoon die verantwoordelijk is voor hun veiligheid.
- Kinderen moeten worden gecontroleerd om te zorgen dat zij niet met het apparaat spelen. Kinderen jonger dan 3 jaar moeten uit de buurt worden gehouden, tenzij ze continu worden begeleid.
- Dit apparaat kan worden gebruikt door kinderen vanaf 8 jaar en ouder en personen met verminderde lichamelijke, zintuiglijke of mentale capaciteiten of een gebrek aan ervaring en kennis, mits zij toezicht of instructie hebben gekregen over het veilige gebruik van het apparaat en de mogelijke gevaren begrijpen.
- Kinderen mogen niet met het apparaat spelen. Schoonmaak en onderhoud door de gebruiker mogen niet door kinderen worden uitgevoerd zonder toezicht.
- De maximale capaciteit voor sommige programma's voor droge kleding is [informatie ontbreekt in het origineel].
- Om het apparaat op de watervoorziening aan te sluiten, dient u de meegeleverde watertoevoerslang en pakkingen te gebruiken. De waterdruk moet tussen 0,1–1 MPa liggen (1–10 bar; 1–10 kp/cm<sup>2</sup>; 10–100 N/cm<sup>2</sup>). Gebruik altijd een nieuwe watertoevoerslang om het apparaat aan te sluiten; hergebruik geen oude slang.
- Bij apparaten met ventilatieopeningen in de basis mogen de ventilatieopeningen niet worden geblokkeerd door een tapijt. Als het netsnoer beschadigd is, moet dit worden gerepareerd door de fabrikant, diens serviceagent of een vergelijkbaar gekwalificeerd persoon om gevaar te voorkomen.

## Elektrische veiligheid

- Dit apparaat voldoet aan de relevante veiligheidsnormen. Voordat u de wasmachine op het elektriciteitsnet aansluit, wacht minimaal 2 uur totdat het apparaat kamertemperatuur heeft bereikt. Dit apparaat mag alleen worden gerepareerd door een erkend servicecentrum, waarbij uitsluitend originele onderdelen van geautoriseerde fabrikanten worden gebruikt.
- Alle reparaties of onderhoud die verband houden met veiligheid of prestaties moeten worden uitgevoerd door getrainde professionals. Probeer het apparaat niet zelf te repareren. Reparaties door ongekwalificeerd personeel kunnen leiden tot persoonlijk letsel of ernstigere fouten. Raadpleeg altijd uw lokale servicecentrum en gebruik uitsluitend originele onderdelen.
- Probeer het apparaat niet te gebruiken als het beschadigd, defect, gedeeltelijk gedemonteerd is, of ontbrekende of beschadigde onderdelen heeft, inclusief beschadigde draden of stekkers. Buig het netsnoer niet te veel en leg er geen zware voorwerpen op. Reinig het apparaat niet binnen- of buitenkant met sproeiwater. Bij overstroming, trek de stekker uit het stopcontact en neem contact op met het after-sales servicecentrum.
- Modellen met een droogfunctie schakelen de verwarming automatisch uit om oververhitting te voorkomen. De verwarming schakelt automatisch uit wanneer de temperatuur de veiligheidsdrempel overschrijdt en start opnieuw wanneer de temperatuur onder de drempel daalt.
- Sluit het apparaat niet aan op meerdere stopcontacten, verlengsnoeren of dubbele adapters. Sluit het apparaat niet aan op het elektriciteitsnet met een verlengsnoer. Sluit het apparaat niet aan op een stopcontact dat bedoeld is voor een elektrisch scheerapparaat of föhn. Sluit het apparaat niet aan op een stopcontact dat bedoeld is voor kleine belasting.
- Controleer voordat u het apparaat aansluit op het elektriciteitsnet of de op het typeplaatje vermelde spanning overeenkomt met de spanning van uw stopcontact. Het stopcontact moet correct geaard zijn en de watertoevoer mag niet worden belemmerd.
- De afvoerlucht mag niet worden afgevoerd in een schoorsteen die bedoeld is voor de afvoer van verbrandingsgassen of andere brandstofgassen.

## Installatie

- Voordat u het apparaat gebruikt, verwijder alle verpakkingsmaterialen (spons, piepschuim, enz.) die aan de onderkant van het apparaat zijn bevestigd. Installeer het apparaat correct volgens de instructies en sluit het aan op de water- en elektriciteitsvoorziening.
- Waterleidingen en elektrische bedrading moeten worden uitgevoerd door een volledig opgeleide technicus of professional. Installeer het apparaat niet op een locatie waar de deuropening beperkt is.
- Installeer het apparaat niet op een plek waar de temperatuur onder 5°C kan dalen, omdat de onderdelen beschadigd kunnen raken bij bevriezing van water. Plaats het apparaat op een stevige en vlakke ondergrond. Als het apparaat op een hoog platform wordt geplaatst, moet het worden versterkt om omvallen te voorkomen.
- Het uiteinde van de afvoerslang moet in een afvoerleiding worden geplaatst. Dit apparaat mag niet buiten worden opgeslagen of gebruikt. Vermijd ophoping van pluisjes in de buurt van het apparaat.
- Installeer het apparaat niet in de buurt van verwarmingselementen of brandbare materialen. Installeer het apparaat niet in een gebied waar gaslekken kunnen optreden. Zorg voor goede ventilatie om te voorkomen dat de door het apparaat gegenereerde gassen terug de kamer in stromen en een brand veroorzaken.

## Gebruik

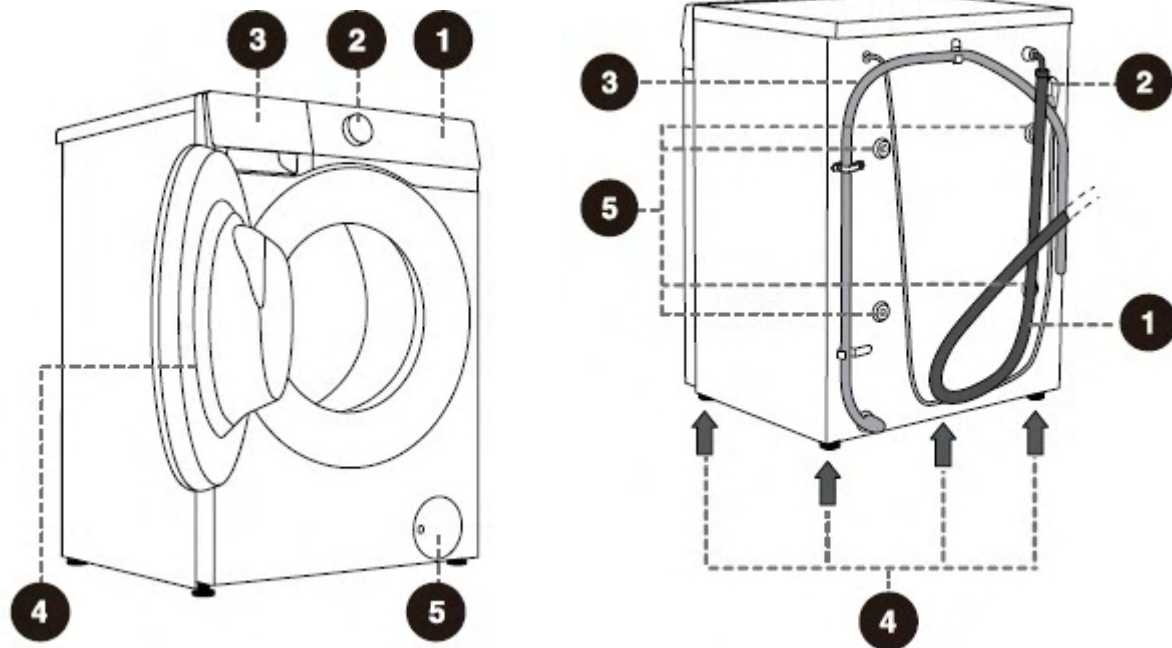
- Verwijder de transportschroeven/-stangen voordat u het apparaat voor het eerst gebruikt, anders kan er ernstige schade optreden bij het starten van het apparaat. Dergelijke schade valt niet onder de garantie. Controleer het apparaat op transportschade. Gebruik het apparaat nooit als het beschadigd is.
- Gebruik wasmiddelen die geschikt zijn voor het apparaat en voor de verzorging van de was. Wij zijn niet verantwoordelijk voor schade of verkleuring van pakkingen en kunststof onderdelen als gevolg van onjuist gebruik van bleek- of kleurmiddelen. Probeer geen panelen te verwijderen of het apparaat te demonteren. Druk niet op knoppen met scherpe voorwerpen zoals spelden, messen of nagels. Raak de stekker niet aan en gebruik het apparaat niet met natte handen.
- Dit apparaat is alleen geschikt voor normaal wassen of drogen. Het kan niet worden gebruikt voor chemisch reinigen. Pogingen om het zware apparaat te tillen kunnen letsel veroorzaken. Probeer het apparaat niet zelf te tillen, want uw handen kunnen worden gesneden door scherpe randen.
- Gebruik geen uitstekende delen om het apparaat te verplaatsen. Uitstekende onderdelen kunnen breken bij het tillen of duwen van het apparaat. Was geen kleding met grote knopen of andere zware metalen voorwerpen, en zorg ervoor dat alle zakken leeg zijn. Om geuren en schimmel te voorkomen, laat de deur open aan het einde van de wascyclus zodat de trommel kan drogen. Laat geen metalen voorwerpen langdurig in de trommel liggen.
- Het deurglas kan barsten door sterke stoten. Ga voorzichtig om. Plaats de was volledig in de trommel om te voorkomen dat deze klem komt te zitten in de deur. Sluit de watertoevoer af en trek de stekker uit het stopcontact wanneer het apparaat niet wordt gebruikt. Plaats geen dieren (zoals huisdieren) in het apparaat.
- Monteer de transportschroeven/-stangen als u het geïnstalleerde apparaat wilt verplaatsen. Trek de stekker uit het stopcontact voordat u de transportschroeven/-stangen monteert! Draai de kraan dicht en trek de stekker uit het apparaat aan het einde van de wascyclus. Trek nooit aan het netsnoer om het apparaat los te koppelen. Houd altijd de stekker stevig vast en trek deze recht uit het stopcontact.
- Gebruik geen wasmiddelen die oplosmiddelen bevatten, omdat dit kan leiden tot het vrijkomen van giftige gassen, schade aan het apparaat en het risico op brand of explosie. Open de deur niet met kracht terwijl het apparaat in werking is (wassen/drogen op hoge temperatuur). Gebruik het apparaat niet na reiniging met industriële chemicaliën. Het water dat wordt afgevoerd tijdens een wascyclus op hoge temperatuur is heet. Raak het water niet aan om verbranding te voorkomen.
- Wasgoed dat is besmet met eetbare oliën, aceton, alcohol, benzine, kerosine, wasmiddelen, terpentijn, was of wasverwijderaars moet worden voorgewassen met heet water en voldoende wasmiddel voordat het in de trommel wordt geplaatst. Gebruik wasverzachter of soortgelijke producten volgens de instructies van de fabrikant. Verwijder alle voorwerpen zoals aanstekers of lucifers uit de zakken.
- **GEVAAR VAN HEET OPPERVLAK**
- Bij hogere was- of droogtemperaturen wordt het deurglas heet. Wees voorzichtig om verbranding te voorkomen. Zorg ervoor dat kinderen niet bij de glazen deur spelen. Raak het deurglas tijdens gebruik niet aan.
- **WATEROVERLOOPBESCHERMING (MET APPARAAT INGESCHAKELD)**
- Als het waterniveau in het apparaat boven het normale niveau stijgt, wordt de bescherming tegen overtollig water geactiveerd. De watertoevoer wordt afgesloten en het water wordt weggepompt. Het programma wordt onderbroken en een foutmelding wordt weergegeven.
- Was of droog geen kleding gemaakt van schuimrubber (latexschuim), douchekapjes, waterdichte stoffen, rubberproducten of kleding/kussens met schuimrubberlagen in de trommel.
- Als uw apparaat een droogfunctie heeft, onderbreek het programma niet totdat de droogcyclus is voltooid. Als u om welke reden dan ook moet onderbreken, verwijder dan voorzichtig de was om verbranding te voorkomen. Verwijder de was snel en spreid deze uit zodat de warmte kan verdwijnen.

- Reparatiekosten als gevolg van schade veroorzaakt door onjuiste aansluiting, onjuiste installatie of gebruik, of reparaties uitgevoerd door niet-geautoriseerd personeel, zijn voor rekening van de gebruiker en vallen niet onder de garantie.
- De garantie dekt geen verbruiksartikelen, kleine kleurafwijkingen, toegenomen geluidsniveau door ouderdom van het apparaat die de functionaliteit niet beïnvloedt, en esthetische defecten aan onderdelen die de functionaliteit en veiligheid van het apparaat niet beïnvloeden.

## Kindveiligheid

- Voordat u de wasmachine en de deur sluit en het programma start, zorg ervoor dat er niets anders dan wasgoed in de trommel zit. Controleer of geen kind in de trommel is geklommen en de deur van binnenuit heeft gesloten. Laat de deur niet openstaan. Kinderen kunnen aan de deur hangen of in het apparaat klimmen, wat schade of letsel kan veroorzaken.
- Houd alle verpakkingsmaterialen buiten het bereik van kinderen, aangezien deze gevaar kunnen opleveren. Houd wasmiddel en wasverzachter buiten het bereik van kinderen.
- Kinderen moeten worden gecontroleerd om te zorgen dat zij niet met het apparaat spelen. Kinderen jonger dan 3 jaar moeten uit de buurt worden gehouden, tenzij ze continu worden begeleid.
- Dit apparaat kan worden gebruikt door kinderen vanaf 8 jaar en ouder en door personen met verminderde lichamelijke, zintuiglijke of mentale capaciteiten of een gebrek aan ervaring en kennis, mits zij toezicht of instructie hebben gekregen over het veilige gebruik van het apparaat en de mogelijke gevaren begrijpen.
- Kinderen mogen niet met het apparaat spelen. Schoonmaak en onderhoud door de gebruiker mogen niet door kinderen worden uitgevoerd zonder toezicht.

## 4. PRODUCTBESCHRIJVING



### Voorzijde

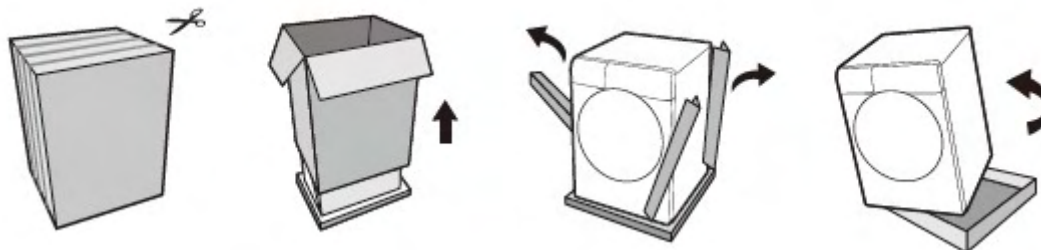
1. Bedieningspaneel
2. Programmakeuzeknop
3. Wasmiddellade
4. Deur
5. Pompfilterdeksel

### Achterzijde

1. Watertoevoerslang
2. Netsnoer
3. Afvoerslang
4. Verstelbare voeten
5. Transportschroeven/-stangen

## 5. INSTALLATIE

Verwijder eerst alle verpakkingsmaterialen en schuim, vooral de schuimonderkant. Zorg er bij het verwijderen van de verpakking voor dat het apparaat niet wordt beschadigd door scherpe voorwerpen. Houd verpakkingsmaterialen (plastic zakken, andere plastic onderdelen, enz.) buiten het bereik van kinderen.



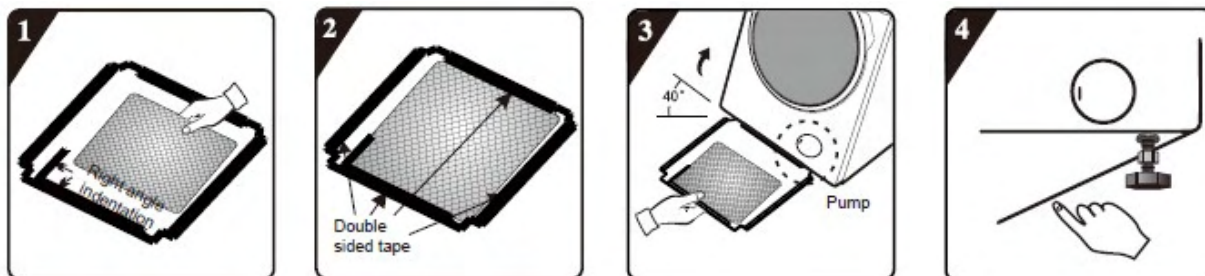
Het inpakken van de machine is precies het tegenovergestelde van het hierboven beschreven uitpakken. Controleer het apparaat op eventuele schade. Als u vermoedt dat het apparaat beschadigd is, gebruik het dan niet en neem onmiddellijk contact op met de serviceafdeling.

De bijgeleverde accessoires van dit apparaat kunnen één of meerdere van de volgende onderdelen omvatten:

- Gebruikershandleiding
- 4 plastic doppen
- Toevoerslang
- Houder voor afvoerslang
- Steeksleutel
- Geluidsreducerende plaat/sponsstroken/geen (afhankelijk van het model)

De configuratie kan per model verschillen en de bijgeleverde accessoires zijn afhankelijk van de werkelijke configuratie van het model.

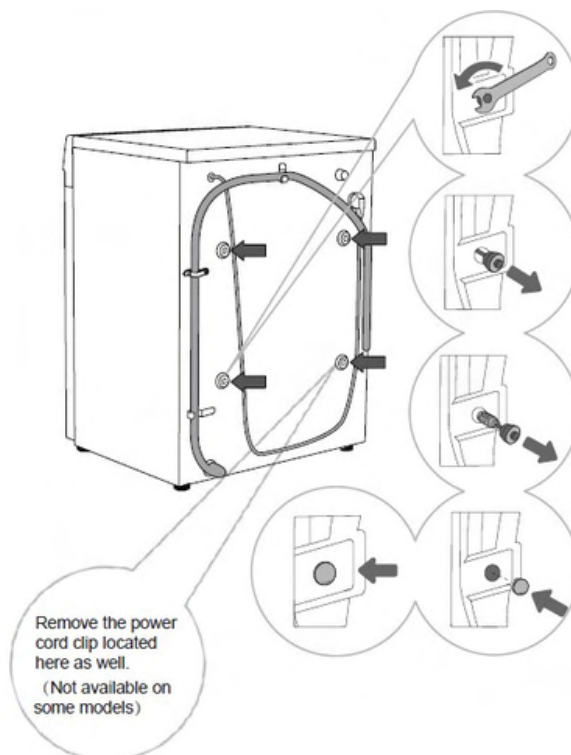
### Hoe de geluidsreducerende plaat te installeren



1. Voordat u de geluidsreducerende plaat installeert, lijnt u de geluidsabsorberende wol uit en bevestigt u deze op en langs de rechthoekige uitsparing van de geluidsreducerende plaat (deze handeling is voor sommige modellen zonder geluidsabsorberende wol niet nodig).
2. Verwijder het bescherm papier van de dubbelzijdige tape aan de vier zijden van de geluidsreducerende plaat.
3. Kantel het apparaat tot een hoek van 40° en zorg ervoor dat de zijde met de rechthoekige uitsparing naar de voorkant van de wasmachine is gericht, zoals in de afbeelding wordt weergegeven. Plaats de zijde met de schuine uitsparing volledig tussen de twee stelpootschroeven aan de achterkant van de wasmachine. Installeer vervolgens de geluidsreducerende plaat en zorg ervoor dat deze nauw aansluit op de onderkant van de wasmachine.
4. Druk de dubbelzijdige tape aan alle vier zijden handmatig aan om de geluidsreducerende plaat stevig aan het apparaat te bevestigen.

## Verwijderen van de transportschroeven/-stangen

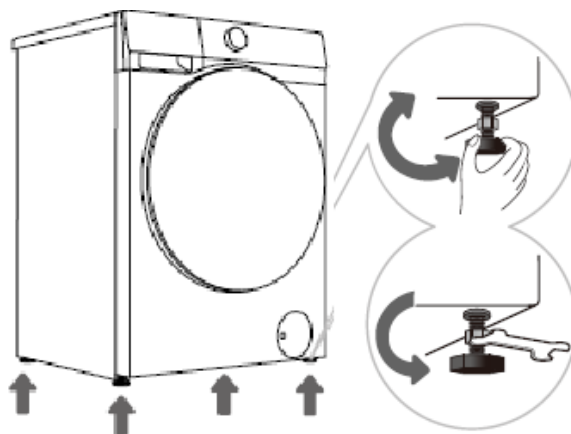
Demonteer de transportschroeven/-stangen zodra alle verpakkingsmaterialen zijn verwijderd. Een geblokkeerd apparaat kan beschadigd raken wanneer het in werking wordt gesteld. Dergelijke schade valt niet onder de garantie.



1. Verplaats de afvoerslangen opzij en gebruik een geschikte steeksleutel om de vier schroeven aan de achterkant linksom los te draaien, zoals aangegeven door de pijlen. Draai de schroeven ongeveer 30 mm los.
2. Trek alle vier de transportschroeven/-stangen horizontaal naar buiten.
3. Verwijder de transportschroeven/-stangen samen met de rubberen en kunststof onderdelen.
4. Dek de schroefgaten af met de plastic doppen. De plastic doppen worden meegeleverd in de zak met de gebruikershandleiding van de wasmachine (de accessoireset).
5. Bewaar de transportschroeven/-stangen voor het geval u het apparaat later opnieuw moet vervoeren (om de transportschroeven/-stangen opnieuw te monteren, volgt u bovenstaande procedure in omgekeerde volgorde).

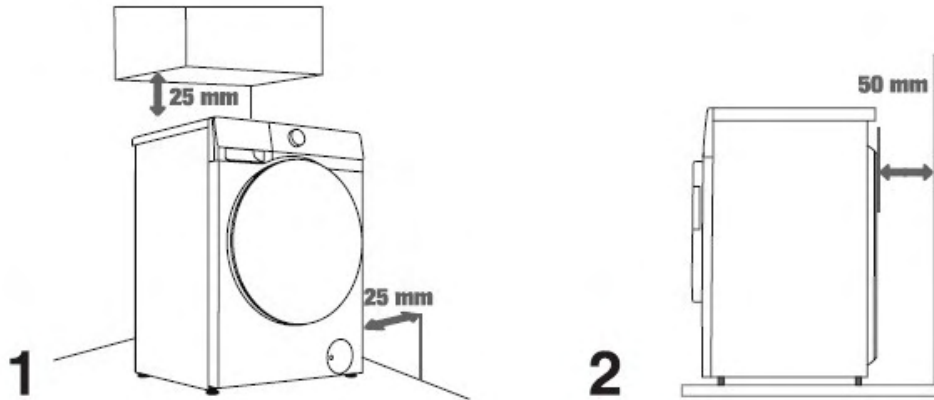
## Verstelbare voeten en installatieafstand

Plaats het apparaat op een stevige en vlakke ondergrond om stabiliteit te garanderen. De vloer moet schoon en droog zijn; anders kan de wasmachine verschuiven. Reinig ook de onderkant van de verstelbare voeten. Gebruik een waterpas en een geschikte steeksleutel.



Het niveau kan worden aangepast door aan de verstelbare voet te draaien. De verstelbare voet biedt een horizontale verstelmogelijkheid van 2 cm. Na het aanpassen van de hoogte draait u de borgmoer met een geschikte steeksleutel tegen de klok in vast.

Onjuiste nivellering van het apparaat kan trillingen veroorzaken, het apparaat door de ruimte laten schuiven en een luidere werking tot gevolg hebben. Onjuiste nivellering van de wasmachine valt niet onder de garantie. Soms kan tijdens het gebruik van het apparaat ongebruikelijk of luider geluid optreden. Dit is meestal het gevolg van een onjuiste installatie.

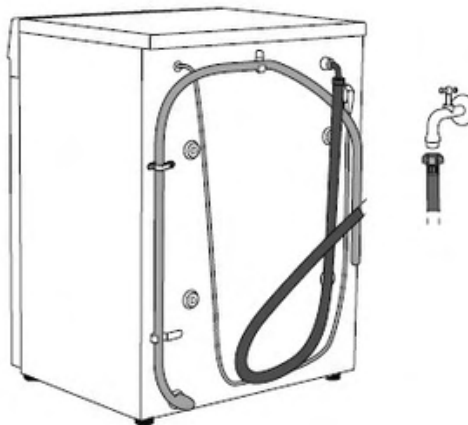


Het apparaat mag niet in contact staan met een muur of aangrenzend meubilair. Voor een optimale werking van de wasmachine raden wij aan de afstanden tot de muren aan te houden zoals aangegeven in de afbeelding.

Wanneer de minimaal vereiste afstanden niet worden aangehouden, kan een veilige en correcte werking van de wasmachine niet worden gegarandeerd. Bovendien kan er oververhitting optreden (zie figuren 1 en 2 hierboven).

## Aansluiting op de watertoevoer

De meegeleverde watertoevoerslang kan per model verschillen. Kies de juiste aansluitmethode op basis van de daadwerkelijk meegeleverde watertoevoerslang.



- Voor een normale werking van de wasmachine moet de waterdruk in de waterleiding tussen 0,1–1 MPa liggen (1–10 bar; 1–10 kp/cm<sup>2</sup>; 10–100 N/cm<sup>2</sup>). De minimale dynamische waterdruk kan worden bepaald door de waterstroom te meten. In 15 seconden moet er 3 liter water uit een volledig geopende kraan stromen.
- Gebruik uitsluitend de watertoevoerslang die bij het apparaat is geleverd. Gebruik geen gebruikte of andere slangen. Controleer of de slang niet beschadigd is. Als de slang verouderd, bros of gebarsten is, moet deze worden vervangen. Dit apparaat is uitsluitend ontworpen voor aansluiting op koud water. Sluit het apparaat niet aan op warm water.
- Draai de watertoevoerslang met de hand vast om een goede afdichting te garanderen (maximaal aanhaalmoment: 2 Nm). Controleer de aansluiting op lekkage. Gebruik geen tangen of vergelijkbaar gereedschap, omdat dit de schroefdraad van de moer kan beschadigen.



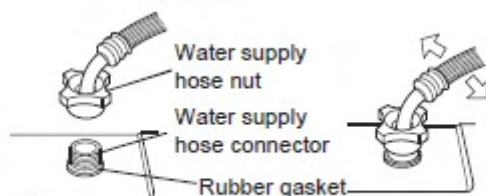
### Controle van de aansluiting tussen de watertoevoerslang en de kraan

- Trek voorzichtig aan de watertoevoerslang om te controleren of de aansluiting stevig is.
- Open de kraan om te controleren op lekkages.
- De watertoevoerslang mag niet gedraaid of geknikt zijn.
- Controleer de watertoevoerslang vóór elk gebruik om een onjuiste aansluiting te voorkomen.



### Aansluiten van de watertoevoerslang op het apparaat

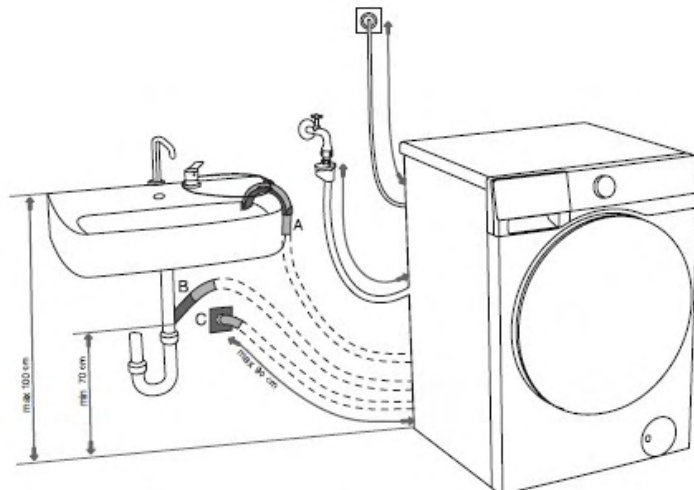
Sluit de moer van de watertoevoerslang aan op de wateraansluiting van het apparaat. Draai de moer vast en schud deze voorzichtig om te controleren of deze goed is bevestigd, zoals weergegeven in de rechter afbeelding.



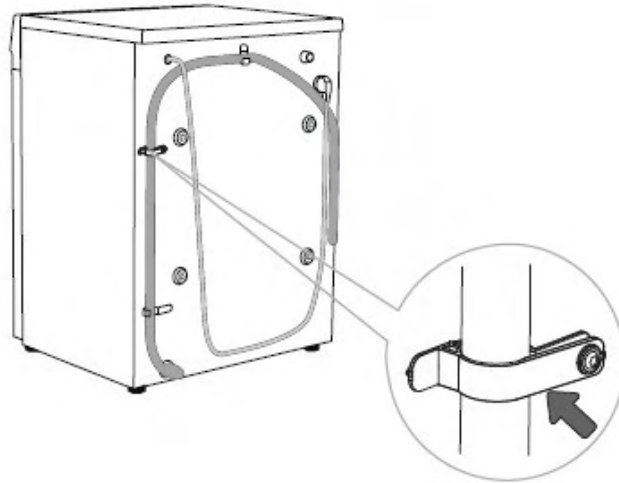
**Opmerking:** Draai de moer gelijkmatig aan. Vermijd het draaien van de watertoevoerslang, omdat dit schade kan veroorzaken. Verwijder de rubberen afdichting niet. Controleer vóór elk gebruik of de afdichting niet loszit of beschadigd is. Neem bij schade onmiddellijk contact op met de after-sales service.

## Aansluiten en bevestigen van de afvoerslang

Voer de afvoerslang in een wastafel of badkuip, of sluit deze direct aan op een afvoer (minimale diameter van de afvoerslang: 4 cm). De verticale afstand van de vloer tot het uiteinde van de afvoerslang mag 70 tot 100 cm zijn. De slang kan op drie manieren worden bevestigd (A, B, C).



- A. Het uiteinde van de afvoerslang kan over een gootsteen of badkuip worden geplaatst. Gebruik een touw dat door de opening in de elleboogsteun wordt gevoerd om de slang vast te zetten en te voorkomen dat deze naar de vloer glijdt.
- B. De afvoerslang kan ook direct op de afvoer van de gootsteen worden aangesloten. Een te kleine gootsteen is niet geschikt. Wees voorzichtig, aangezien het afgevoerde water heet kan zijn.
- C. De afvoerslang kan ook worden aangesloten op een wandafvoer met sifon. Deze sifons moeten correct zijn geïnstalleerd zodat schoonmaken mogelijk is.
- D. De afvoerslang moet worden bevestigd aan de clips aan de achterkant van de wasmachine, zoals weergegeven in de afbeelding. Deze clips mogen niet worden verwijderd, omdat dit de normale werking van de wasmachine kan belemmeren.

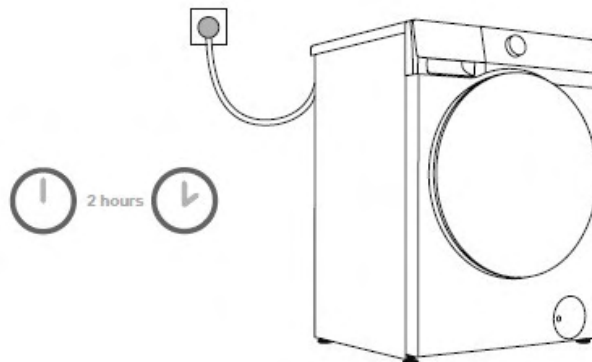


Make sure the drain hose is not damaged.

If the discharge hose is not correctly attached; safe and correct washer operation cannot be ensured.

### Aansluiten op het elektriciteitsnet

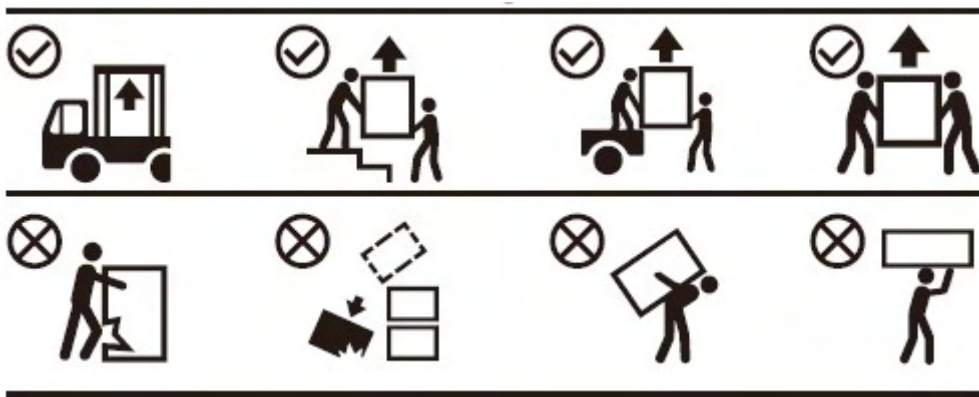
Voordat u de wasmachine op het elektriciteitsnet aansluit, wacht minimaal 2 uur totdat het apparaat kamertemperatuur heeft bereikt. Sluit de wasmachine aan op een geaard stopcontact. Na installatie moet het stopcontact vrij toegankelijk zijn. Het stopcontact moet voorzien zijn van aardlekschakelaar. Informatie over uw wasmachine is te vinden op het typeplaatje.



- Wij raden aan een overspanningsbeveiliging te gebruiken om het apparaat te beschermen tegen blikseminslag. De wasmachine mag niet op het elektriciteitsnet worden aangesloten met een verlengsnoer.
- Sluit het apparaat niet aan op een stopcontact dat bedoeld is voor kleine belastingen.
- Steek de stekker niet in het stopcontact en trek deze er niet uit met natte handen. Alle reparaties en onderhoud aan het apparaat moeten worden uitgevoerd door getrainde professionals.
- Een beschadigd netsnoer mag alleen worden vervangen door een persoon die door de fabrikant is gemachtigd.

## Transport na installatie

- Als het nodig is om correct geïnstalleerde apparatuur te transporteren, trek dan eerst de stekker uit het stopcontact, sluit de kraan, verwijder de waterinlaat- en afvoerslangen en zorg ervoor dat de wasmiddellade en de deur van de machine correct gesloten zijn. Zorg ervoor dat de transportschroeven opnieuw worden gemonteerd om schade aan het apparaat door trillingen tijdens transport te voorkomen. Verpak alle verpakkingsmaterialen correct (plastic zakken, andere kunststof onderdelen, enz.). Het apparaat is zwaar; draag het daarom met minstens twee personen. Raak tijdens het verplaatsen geen uitstekende delen aan, zoals de deur, het bovenpaneel, enz., om vallen of schade aan onderdelen te voorkomen.
- Na transport moet het apparaat minimaal 2 uur stil staan voordat het op het elektriciteitsnet wordt aangesloten. Het apparaat moet worden geïnstalleerd en aangesloten door een getrainde technicus.
- Lees de instructies zorgvuldig voordat u het apparaat opnieuw aansluit. Schade veroorzaakt door onjuiste aansluiting of verkeerd gebruik valt niet onder de garantie.


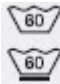
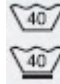
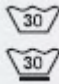


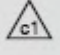

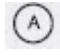
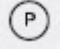


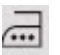





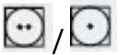



## 6. HET PRODUCT GEBRUIKEN

### Voor het eerste gebruik

- Dit apparaat is in de fabriek getest en kan een kleine hoeveelheid waterresten bevatten. Het wordt aanbevolen een "Trommelreiniging"-programma (of een ander programma op hoge temperatuur) uit te voeren om eventuele resterende waterresten uit de trommel te verwijderen. Sluit het apparaat aan op het elektriciteitsnet en open de waterkraan. Er mag geen wasgoed in de trommel zitten.
- Selecteer het gewenste programma en start het.
- Gebruik geen oplosmiddelen of reinigingsmiddelen die de wasmachine kunnen beschadigen (houd u aan de aanbevelingen en waarschuwingen van de fabrikanten van de reinigingsmiddelen).

## Laundry labels

Normale was Gevoelige was	Max. wastemperatuur 95°C	Max. wastemperatuur 60°C	Max. wastemperatuur 40°C	Max. wastemperatuur 30°C	Alleen handwas	Niet wassen
						
Bleken	Bleken in koud water			Bleken niet toegestaan		
						
Chemisch reinigen	Reinigingsmiddelen voor chemisch reinigen	Petroleumoplosmiddel, R11, R113	Chemisch reinigen in kerosine, pure alcohol en R113		Chemisch reinigen niet toegestaan	
						
Strijken	Heet strijken, max. 200°C	Heet strijken, max. 150°C		Heet strijken, max. 110°C	Strijken niet toegestaan	
						
Drogen	Plat drogen (op een oppervlak leggen)	Hangend drogen / Lijn droog		Hoge temperatuur		Niet in de droger
						

## Voorbereiden van het wasproces

- Sorteren van de was op type stof (katoen, mengsels, zijde, wol, enz.), wasvoorschriften op het etiket, kleur (wit, gekleurd) en vervuiling.
- Maak de zakken leeg; verwijder metalen voorwerpen die de was of het apparaat kunnen beschadigen; sluit knopen en draai kleding met knopen of borduursels binnenstebuiten; sluit alle ritsen; bind koorden van kleding met trekkoorden vast.
- Plaats gevoelige kleding en kleine of lichte voorwerpen in een speciale waszak en was deze samen met andere was.
- Draai voorwerpen die gevoelig zijn voor pluizen of met lange vezels binnenstebuiten voordat u ze wast.
- Vlekken die te lang blijven zitten, kunnen moeilijk te verwijderen zijn. Behandel bevulde delen zoals manchetten en kragen vóór het wassen (zie hoofdstuk "Tips voor vlekverwijdering").
- Was geen zware dekbedden, pluche speelgoed of voorwerpen in waszakken afzonderlijk in de trommel om schade te voorkomen.



## Niet-wasbare en niet-droogbare was

Leder- en bontproducten (risico op vervorming)

Rayon en mengsels daarvan (risico op verkleuring of vervorming)

Grote dikke rubberen kussens (risico op schade of storing)

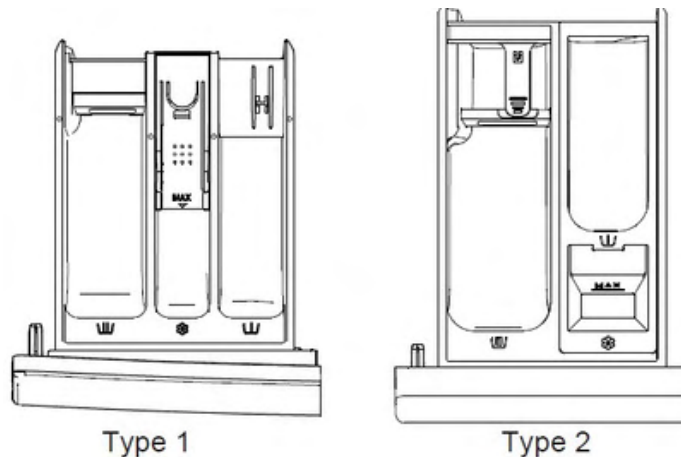
Hoeden met harde materialen (risico op schade aan de wasmachine en storing)

Kussens, kussenslopen, artikelen met katoenen vulling, schuim en andere sponsmaterialen, vloerkleden (risico op schade of storing)

Overig: gekreukte of reliëfstoffen; gecoate donsjacken; crêpe stoffen; kleding die gemakkelijk vervormt (pakken, jassen, stropdassen, jurken, enz.); kleding die gemakkelijk pluist (fluweel, katoenen flanel).


Niet-wasbare en niet-droogbare was omvat, maar is niet beperkt tot, de bovenstaande artikelen.

## Toevoegen van wasmiddel/wasverzachter



Wasmiddellade	
	Voorwasvak
	Hoofdwasvak
	Wasverzachtervak

### Voorzorgsmaatregelen bij gebruik

1. Gebruik altijd een hoog-efficiënt, neutraal, laag-schuimend wasmiddel dat geschikt is voor dit apparaat. De hoeveelheid wasmiddel hangt af van het type wasgoed, het vervuilingsniveau, de kleur van de was en de wastemperatuur. Voeg de juiste hoeveelheid toe volgens de doseringsinstructies van de wasmiddelfabrikant.
2. Overmatige hoeveelheden wasmiddel kunnen schuimvorming veroorzaken, wat de wasprestaties kan verminderen. Bij te veel schuim kan het apparaat het programma tijdelijk pauzeren om het schuim te verminderen.
3. Te weinig wasmiddel kan leiden tot een slechte waswerking en kan kalkaanslag in de trommel en waterleidingen veroorzaken.
4. Wij raden aan poederwasmiddel pas toe te voegen vlak voordat de wascyclus begint. Als het eerder wordt toegevoegd, zorg er dan voor dat het wasmiddelladevak volledig droog is; anders kan het poeder hard worden en klonten voordat de wascyclus begint.
5. Gebruik geen vloeibaar wasmiddel bij het selecteren van de functie "Uitgestelde start" of "Voorwas" (indien beschikbaar), omdat het onmiddellijk wordt toegevoegd en plakkerig kan worden in het wasmiddelladevak of de trommel.
6. Laat het wasmiddel niet uitharden, omdat dit kan leiden tot verstoppingen, slechte spoeling of onaangename geuren.
7. Giet wasverzachter in het vak gemarkeerd met "\*"  "\*" en volg de gebruiksaanbevelingen op de verpakking van de wasverzachter. Overschrijd de MAX-lijn in het wasverzachtervak niet, omdat dit voortijdige afgifte van wasverzachter kan veroorzaken en de wasresultaten kan verminderen.
8. Houd wasmiddel en wasverzachter buiten het bereik van kinderen.
9. Bijtende ontkalkingsmiddelen kunnen het apparaat beschadigen. Gebruik geen oplosmiddelen. Was het wasgoed niet dat is gereinigd met oplosmiddelen of brandbare stoffen.
10. Witte resten (strepen, enz.) op zwart wasgoed kunnen optreden bij het gebruik van moderne fosfaatvrije wasmiddelen. Borstel in dat geval de strepen weg en gebruik een vloeibaar wasmiddel.

11. Sluit de wasmiddellade voorzichtig voordat u het programma start. Te krachtig sluiten kan ertoe leiden dat wasmiddel in andere vakken lekt of te vroeg in de trommel wordt afgegeven. Let erop dat u uw vingers niet beknelt bij het sluiten van de lade.
12. Aan het einde van de wascyclus kan er een kleine hoeveelheid water in het wasmiddelladevak achterblijven.

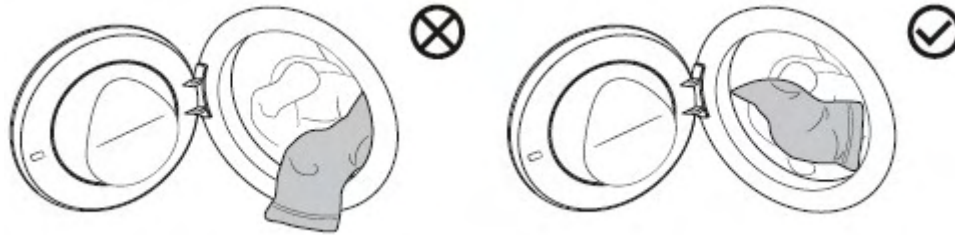
#### De wasmachine laden

Open de deur van de wasmachine en plaats het wasgoed losjes in de trommel, nadat u heeft gecontroleerd dat de trommel leeg is.

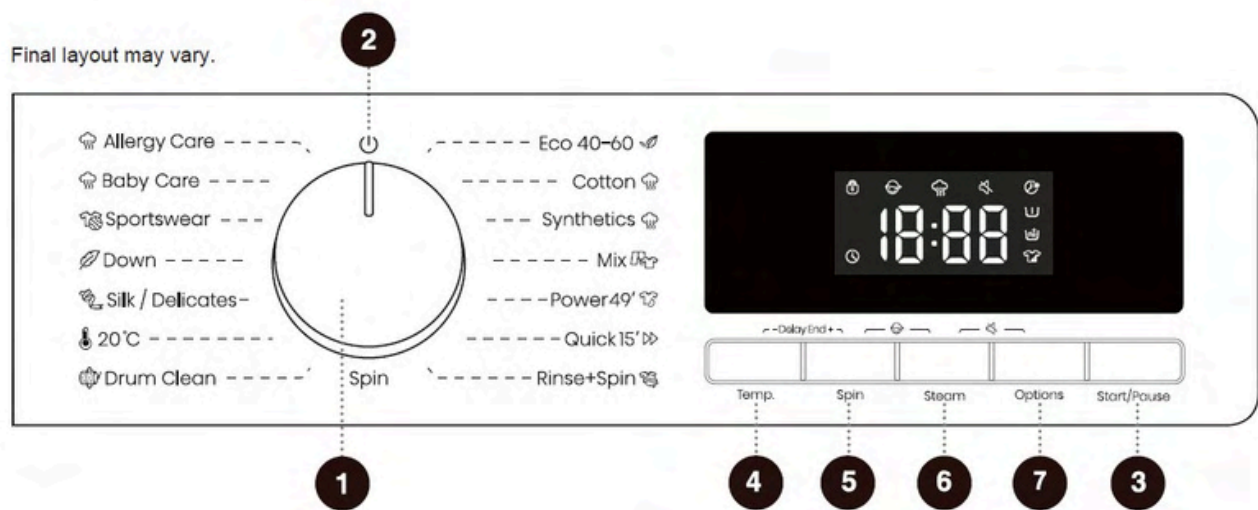
Sluit de deur van de wasmachine. De deur is gesloten wanneer u een klik hoort.

Overbelast de trommel niet! Voor de maximale belading, zie "PROGRAMMATABEL". Als de trommel te vol is, wordt de was niet grondig schoon.

Zorg ervoor dat het wasgoed volledig in de trommel ligt om te voorkomen dat het vast komt te zitten in de deur.



## 7. PROGRAMMA'S



1. Programmakeuzeknop – Draai aan de knop om het gewenste programma te selecteren.
2. Aan/Uit – Zet het apparaat aan of uit.
3. Start/Pauze – Start of pauzeer het programma.
4. Temperatuur – Kies de wastemperatuur.
5. Centrifugeren – Stel het centrifugetoerental in.
6. Stoom – Schakel de stoomfunctie in of uit.
7. Opties – Druk op deze toets om extra functies te selecteren.

Combinatiefuncties:

Starttijdvoorselectie (4 + 5) – Plan de wascyclus op een geschikt tijdstip.

Kinderbeveiliging (5 + 6) – Houd beide toetsen tegelijkertijd ingedrukt om de kinderbeveiliging in of uit te schakelen.

Dempen (6 + 7) – Houd beide toetsen tegelijkertijd ingedrukt om de dempmodus in of uit te schakelen.

## Programmatabel

Zet het apparaat aan en kies het programma door aan de hoofdknop te draaien (afhankelijk van het type wasgoed en de mate van vervuiling). Tijdens de werking draait de hoofdknop niet automatisch.

<b>Eco 40-60</b>	
Wastemperatuur	-
Maximale hoeveelheid droog wasgoed	10 kg
Centrifugeersnelheid (tpm)	1400
Type wasgoed / Beschrijving	Het is geschikt voor wasgoed met een normaal vervuilingsniveau.
<b>Katoen</b>	
Wastemperatuur	(-, 20°C, 30°C, 40°C, 60°C, 90°C)
Maximale hoeveelheid droog wasgoed	10 kg
Centrifugeersnelheid (tpm)	1200
Type wasgoed / Beschrijving	Het is geschikt voor het wassen van matig tot sterk vervuild katoen- of linnenwasgoed.
<b>Synthetische stoffen</b>	
Wastemperatuur	(-, 20°C, 30°C, 40°C, 60°C)
Maximale hoeveelheid droog wasgoed	3.5 kg
Centrifugeersnelheid (tpm)	1200
Type wasgoed / Beschrijving	Het is geschikt voor het wassen van matig vervuilde synthetische vezels of katoenen stoffen.
<b>Gemengd</b>	
Wastemperatuur	(-, 20°C, 30°C, 40°C)
Maximale hoeveelheid droog wasgoed	3.5 kg
Centrifugeersnelheid (tpm)	1200
Type wasgoed / Beschrijving	It is suitable for lightly or moderately soiled cotton, and synthetic fabrics.
<b>Power 49'</b>	
Wastemperatuur	(-, 20°C, 30°C, 40°C)
Maximale hoeveelheid droog wasgoed	2.5 kg
Centrifugeersnelheid (tpm)	1200
Type wasgoed / Beschrijving	Het is geschikt voor het wassen van een kleine hoeveelheid sterk vervuild wasgoed, met een korte tijd voor intensief wassen.
<b>Snel 15'</b>	
Wastemperatuur	(-, 20°C, 30°C, 40°C)
Maximale hoeveelheid droog wasgoed	1 kg
Centrifugeersnelheid (tpm)	800
Type wasgoed / Beschrijving	Het is geschikt voor een kleine lading wasgoed of licht vervuild wasgoed. Het wijzigen van de standaardinstellingen verlengt de wastijd.
<b>Spoelen + Centrifugeren</b>	
Wastemperatuur	-
Maximale hoeveelheid droog wasgoed	10 kg
Centrifugeersnelheid (tpm)	1400
Type wasgoed / Beschrijving	Het is geschikt voor het afzonderlijk spoelen en centrifugeren van wasgoed. Voeg geen wasmiddel toe voor dit programma.
<b>Centrifugeren</b>	
Wastemperatuur	-
Maximale hoeveelheid droog wasgoed	10 kg
Centrifugeersnelheid (tpm)	1400
Type wasgoed / Beschrijving	Het is geschikt voor het afzonderlijk centrifugeren van wasgoed. Voeg geen wasmiddel of wasverzachter toe voor dit programma.
<b>Trommelreiniging</b>	
Wastemperatuur	(90°C)
Maximale hoeveelheid droog wasgoed	-
Centrifugeersnelheid (tpm)	800
Type wasgoed / Beschrijving	Het wordt gebruikt om de trommel te reinigen en eventuele resten van wasmiddel en bacteriën te verwijderen die zich kunnen ophopen en ontwikkelen, vooral bij het gebruik van programma's op lage temperatuur. Voeg geen wasmiddel of wasverzachter toe voor dit programma.

<b>20°C</b>	
Wastemperatuur	(20°C)
Maximale hoeveelheid droog wasgoed	10 kg
Centrifugeersnelheid (tpm)	1400
Type wasgoed / Beschrijving	Het is geschikt voor licht tot matig vervuild wasgoed om energie te besparen en het milieu te beschermen.
<b>Zijde / Fijne was</b>	
Wastemperatuur	(-, 20°C, 30°C, 40°C)
Maximale hoeveelheid droog wasgoed	2 kg
Centrifugeersnelheid (tpm)	600
Type wasgoed / Beschrijving	Het is geschikt voor zijde die in de wasmachine kan worden gewassen (raadpleeg de wasvoorschriften op het etiket). Wasverzachter wordt voor dit programma niet aanbevolen.
<b>Dons</b>	
Wastemperatuur	(-, 20°C, 30°C, 40°C)
Maximale hoeveelheid droog wasgoed	2 kg
Centrifugeersnelheid (tpm)	600
Type wasgoed / Beschrijving	Het is geschikt voor in de wasmachine wasbare artikelen gevuld met synthetische vezels, zoals kussens, matrassen en dekbedden, evenals artikelen gevuld met dons.
<b>Sportkleding</b>	
Wastemperatuur	(-, 20°C, 30°C, 40°C)
Maximale hoeveelheid droog wasgoed	2.5 kg
Centrifugeersnelheid (tpm)	1000
Type wasgoed / Beschrijving	Het is geschikt voor in de wasmachine wasbare sportkleding.
<b>Babyverzorging</b>	
Wastemperatuur	(40°C, 60°C, 90°C)
Maximale hoeveelheid droog wasgoed	2 kg
Centrifugeersnelheid (tpm)	1200
Type wasgoed / Beschrijving	Het is geschikt voor babykleding en ondergoed, enz., die worden gesteriliseerd en gedesinfecteerd door stoom op hoge temperatuur. Wasverzachter wordt voor dit programma niet aanbevolen.
<b>Allergie zorg</b>	
Wastemperatuur	(60°C)
Maximale hoeveelheid droog wasgoed	2 kg
Centrifugeersnelheid (tpm)	1200
Type wasgoed / Beschrijving	Het is geschikt voor kleding die bestand is tegen hoge temperaturen en niet gemakkelijk verkleurt, om door middel van hoge temperatuur pollen, mijten, parasieten en andere allergenen te verwijderen.

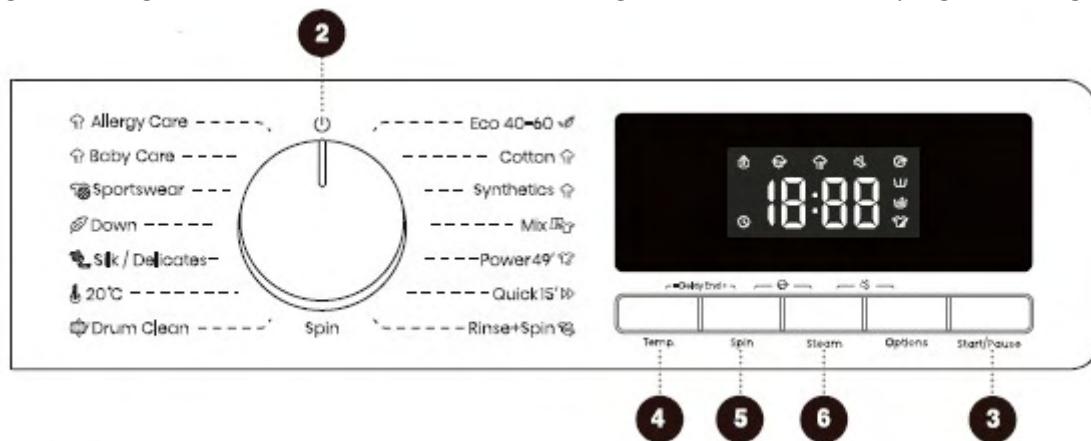
1. Watertemperatuur: Kies de juiste watertemperatuur voor het geselecteerde wasprogramma. Volg altijd de wasvoorschriften op het kledingetiket of de instructies van de fabrikant om schade aan kleding te voorkomen.
2. De werkelijke watertemperatuur kan afwijken van de opgegeven cyclus-temperatuur.
3. De testresultaten zijn afhankelijk van waterdruk, waterhardheid, watertemperatuur bij toevoer, kamertemperatuur, type en hoeveelheid wasgoed, mate van vervuiling, gebruikt wasmiddel, schommelingen in de stroomvoorziening en gekozen extra opties.
4. Overbelading van de trommel tijdens de wascyclus kan de wasprestaties verminderen, omdat het apparaat in eerste instantie een lager gewicht detecteert en minder water gebruikt. Onvoldoende water kan ook schade aan het wasgoed veroorzaken en de wastijd verlengen.
5. Trommelreiniging (indien beschikbaar): Zorg ervoor dat de trommel leeg is voordat u het Trommelreinigingsprogramma gebruikt. Het wordt aanbevolen dit minstens één keer per maand uit te voeren.
6. Bij het ontkalken mogen alleen ontkalkingsmiddelen met toegevoegde corrosiebescherming worden gebruikt (gebruik uitsluitend niet-corrosieve ontkalkingsmiddelen en volg de instructies van de fabrikant). Rond het ontkalkingsproces af door meerdere keren een "Trommelreiniging"- of ander hoogtemperatuurprogramma uit te voeren om eventuele resterende ontkalkingsmiddelen te verwijderen. Het wordt aanbevolen dit minstens één keer per zes maanden te doen.

De maximale of nominale belading geldt voor wasgoed dat is voorbereid volgens de IEC 60456-norm. Voor een beter wasresultaat wordt aanbevolen de trommel voor katoenprogramma's tot 2/3 te vullen.

## Functies

De meeste programma's hebben standaardinstellingen, maar deze instellingen kunnen worden gewijzigd. Pas de instellingen aan door op de betreffende functietoets te drukken (voordat u op de START/PAUZE-toets drukt). Sommige instellingen kunnen niet worden geselecteerd bij bepaalde programma's. Deze instellingen zullen niet verlicht zijn en wanneer de bijbehorende toets wordt ingedrukt, klinkt een akoestisch signaal en knippert de toets.

De extra instellingen en functies kunnen alleen worden ingesteld in de standby-modus, dat wil zeggen voordat het programma begint te draaien, en kunnen niet worden geselecteerd nadat het programma is gestart.



### 2. Aan/Uit

Schakel het apparaat in of uit.

Om het programma tijdens de werking te stoppen, draai de programmaknop naar "\*\*\* \*\*" om uit te schakelen.

In de stand-by-modus of na het einde van het programma schakelt het apparaat automatisch uit als er gedurende een bepaalde tijd geen handelingen worden uitgevoerd.

### 3. Start/Pauze

Start of pauzeer het programma.

Als de deur niet is gesloten of vergrendeld, wordt er een alarm op het scherm weergegeven nadat u op "Start" heeft gedrukt.

### 4. Temp.

Wijzig de temperatuur voor het geselecteerde programma. Elk programma heeft een vooraf ingestelde temperatuur.

Druk op deze toets voordat u het programma start om de huidige ingestelde temperatuur weer te geven. Druk nogmaals om door de vooraf ingestelde temperatuurswaarden te scrollen (-- geeft koud wassen aan). De verwarmingstemperatuur kan per programma variëren.

### 5. Centrifugeren

Pas het centrifuge-toerental aan voordat u het programma start. Druk op deze toets om het huidige centrifuge-toerental weer te geven. Druk nogmaals om door de vooraf ingestelde waarden te scrollen.

### 6. Stoom

Met deze functie kan stoom worden gegenereerd, kreukels worden verminderd of verwijderd, en wordt kleding comfortabeler. Druk op deze toets om de functie in of uit te schakelen.



## 7. Opties

Druk op deze toets om extra functies van het programma te selecteren. Er kan telkens slechts één functie worden ingesteld bij het indrukken. Nadat de functie is geselecteerd, gaat het bijbehorende pictogram branden of knipperen.

### Sneller

Met deze functie kan de wastijd van het programma worden verkort en het wasproces worden versneld. Bij programma's met automatische weging: annuleer de automatische weging na het selecteren van deze functie en hervat de automatische weging na het deselecteren.

### Voorwas

Met deze functie kan het voorwasproces vóór de hoofdwafase worden verlengd om het wasresultaat te verbeteren.

Bij het selecteren van de Voorwas-functie, voeg wasmiddel toe aan het voorwasvak van de wasmiddellade.

### Extra Spoelen

Met deze functie kan het aantal spoelbeurten van een programma worden verhoogd.

### Intensief

Met deze functie kan de wastijd worden verlengd en de wasintensiteit worden verhoogd.

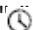
## 4+5. Uitgestelde Einde

Plan het wassen op een geschikt tijdstip.

Na het selecteren van het programma en de functies, stel de optie Uitgestelde Start in. Houd de toets "Temp. + Centrifuge" ingedrukt.

Hierdoor wordt de reserveringsfunctie ingeschakeld. Druk vervolgens op de Temp.- of Centrifuge-toets om de geplande tijd te verlagen of te verhogen. Elke druk verandert de tijd met 1 uur, met een maximale tijd van 24:00.

De Uitgestelde tijd is het eindtijdstip van het programma, dat wil zeggen dat het de gehele duur van het programma omvat. De Uitgestelde tijd moet dus langer zijn dan de looptijd van het programma.

Wanneer de Uitgestelde functie is geactiveerd, gaat het  pictogram op het scherm branden of knipperen. Zodra de Uitgestelde functie is voltooid, gaat het pictogram uit.

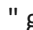
Als de Uitgestelde functie is geselecteerd voordat het programma start, kan deze worden uitgeschakeld door een ander programma of functie te kiezen.

Om de Uitgestelde functie uit te schakelen nadat het programma is gestart, moet het apparaat worden uitgeschakeld en opnieuw worden gestart.



## 5+6. Kinderbeveiliging

Het apparaat is voorzien van een kinderbeveiliging om accidenteel gebruik door kinderen te voorkomen en hun veiligheid te waarborgen.

Houd de toetsen "Centrifuge + Stoom" tegelijkertijd ingedrukt om de kinderbeveiliging te activeren. Het kinderbeveiligingspictogram  gaat branden. Herhaal dezelfde handeling om de kinderbeveiliging uit te schakelen.

Wanneer de kinderbeveiliging is ingeschakeld, zijn alle toetsen behalve de aan/uit-toets vergrendeld.

Na het voltooien van het programma wordt de kinderbeveiliging automatisch uitgeschakeld.

## 6+7. Dempen

Schakel alle akoestische signalen uit, behalve alarmen, om het geluid te minimaliseren. Wanneer het apparaat in stand-by, gepauzeerd of in werking is, houdt u de toetsen "Stoom + Opties" ingedrukt.


tegelijktijd, de  Het demp-pictogram gaat branden om de dempfunctie te activeren

Repeat the same operation to deactivate the mute function and restore all acoustic signals

## 12. Display

Het wordt gebruikt om de resterende tijd, de geplande starttijd, foutcodes en andere gerelateerde informatie van het programma weer te geven.

Pictogrambeschrijving

-  Deurslot-indicator. Het deurslot-pictogram gaat branden en de deur is vergrendeld. Forceer de deur niet om letsel te voorkomen.

## Funcietabel

Programma	Temp	Centrifuge	Stoom	Sneller	Voor was	Extra Spoelen	Intensief	Einde vertraging	Kinderbeveiliging	Dempen
Eco40-60	-	●	-	-	-	-	-	●	●	●
Katoen	●	●	●	●	●	●	●	●	●	●
Synthetisch	●	●	●	●	●	●	●	●	●	●
Mix	●	●	-	●	●	●	●	●	●	●
Power 49'	●	●	-	●	●	●	-	●	●	●
Snel 15'	●	●	-	-	-	●	-	●	●	●
Spoelen+Centrifugeren	-	●	-	-	-	●	-	●	●	●
<b>Centrifugeren</b>	-	●	-	-	-	-	-	●	●	●
<b>Trommelreiniging</b>	-		-	-	-	-	-	●	●	●
20C	-	●	-	-	●	●	●	●	●	●
Zijde/Fijne was	●	●	-	-	-	●	-	●	●	●
Dons	●	●	-	-	-	●	-	●	●	●
Sportkleding	●	●	-	-	●	●	●	●	●	●
Babyverzorging	●	●	○	●	●	●	●	●	●	●
Allergiecare	-	●	○	-	●	●	●	●	●	●

- Optionele functies

### Niet-selecteerbare functies

- Niet-annuleerbare ingebouwde standaardfuncties

## Programma starten en beëindigen

Zodra u het programma en de extra functies heeft geselecteerd en het wasmiddel in het wasmiddellade heeft gedaan, drukt u op de "Start/Pauze"-knop om het programma te starten.



Zodra u op de "Start/Pauze"-knop heeft gedrukt, kunt u geen instellingen meer wijzigen, behalve het in- of uitschakelen van Kinderbeveiliging en Dempen (indien beschikbaar) en het aanpassen van het Waterniveau (indien beschikbaar). Wanneer het programma start, verschijnt "----" op het scherm om aan te geven dat de was wordt gewogen. Nadat het programma is gestart, wordt het pictogram " " op het scherm verlicht. Wanneer het programma is voltooid, verdwijnt het pictogram. Als u tijdens het programma op de "Start/Pauze"-knop drukt, en alle...

Als aan alle voorwaarden is voldaan om de deur te openen, gaat het pictogram " " ook uit.

Als dit pictogram niet verdwijnt, betekent dit dat de deur niet geopend kan worden. Probeer in dat geval de deur niet met geweld te openen.

Als de tijd op het scherm knippert wanneer het programma is gepauzeerd, controleer dan of de deur correct is gesloten en druk op de "Start/Pauze"-knop om het programma te hervatten.

Een akoestisch signaal geeft het einde van het programma aan. Het display toont "Einde". Het apparaat schakelt automatisch uit als er gedurende een bepaalde tijd geen bediening plaatsvindt.

1. Schakel het apparaat uit.
2. Sluit de watertap.
3. Trek de stekker uit het stopcontact.
4. Sluit de deur van de wasmachine.
5. Haal de was uit de trommel.

Sommige programma's detecteren automatisch het gewicht van de was vóór het wassen en passen de programmaduur dienovereenkomstig aan.

## Onderbrekingen en programma wijzigen

### PROGRAMMA WIJZIGEN


Om het programma tijdens de werking te wijzigen, schakelt u het apparaat uit en weer aan, selecteert u het gewenste programma en de extra functies, en drukt u vervolgens op de Start/Pauze-knop om het nieuwe programma te starten.

### PROGRAMMA PAUZEREN

U kunt het programma op elk moment stoppen door op de "Start/Pauze"-knop te drukken. Wanneer de resterende programmaduur op het scherm knippert, is het programma tijdelijk gepauzeerd. Als aan de volgende voorwaarden is voldaan, wordt de deurvergrendeling vrijgegeven en kunt u de deur openen:

1. De temperatuur in de trommel moet veilig zijn.
  2. Het water in de trommel moet onder een bepaald niveau zijn.
- PROGRAMMA ONDERBREKEN
  - Om het programma tijdens de werking te stoppen of te annuleren, moet u het apparaat uitschakelen.

Om het programma te hervatten, sluit u de deur en drukt u op de "Start/Pauze"-knop. Wanneer het wasprogramma wordt gepauzeerd en vervolgens wordt hervat, gaat het verder vanaf het punt waar het werd gepauzeerd. Wanneer het centrifugeerprogramma wordt gepauzeerd en vervolgens wordt hervat, begint het opnieuw vanaf het begin van de centrifugeercyclus.

- WAS TOEVOEGEN TIJDENS HET PROGRAMMA
- Om was toe te voegen tijdens de werking van het programma, wacht totdat het waterniveau en de temperatuur in de trommel onder een vooraf bepaalde grens liggen. Druk op de "Start/Pauze"-knop om het programma te pauzeren; de resterende tijd knippert op het scherm en het Deurvergrendelingspictogram gaat uit (bij sommige modellen gaat het "Was Toevoegen"-pictogram  branden). U kunt daarna de deur openen om was toe te voegen.
- Als het deurvergrendelingspictogram actief is, zijn de voorwaarden om de deur te openen niet vervuld en kunt u geen was toevoegen tijdens de werking van het programma.

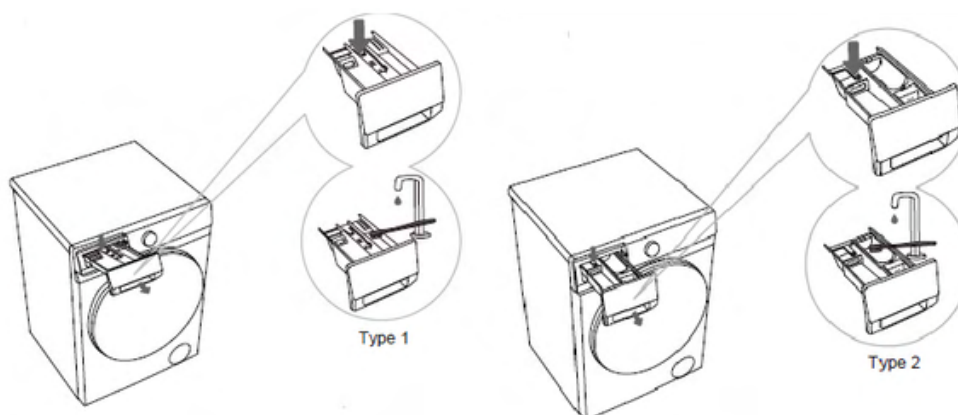
Als er een aanzienlijke hoeveelheid extra was wordt toegevoegd tijdens het wassen en het waterniveau onvoldoende is, kan de reinigingseffectiviteit afnemen, omdat het apparaat de waterinname berekent op basis van het initiële gewicht van de was. Onvoldoende water kan ook schade aan de was veroorzaken door wrijving, en de wastijd zal worden verlengd.

- STORING
- In geval van een storing wordt het programma onderbroken. Knipperende signaallampen en een akoestisch signaal waarschuwen hiervoor (zie hoofdstuk FOUTCODES EN PROBLEEMOPLOSSING) en de foutcode (FXX) wordt op het scherm weergegeven.
- STROOMUITVAL
- Bij een stroomuitval wordt het wasprogramma onderbroken. Wanneer de stroomvoorziening wordt hersteld, wordt het programma hervat vanaf het punt waar het werd onderbroken.
- Als er na een stroomuitval nog water in het apparaat aanwezig is, open de deur dan niet totdat u het water handmatig heeft afgevoerd via het pompfilter.

## • 8. ONDERHOUD EN REINIGING

Regelmatig onderhoud kan de levensduur van het apparaat verlengen. Schakel voor onderhoud de wasmachine uit en trek de stekker uit het stopcontact, en sluit de watertap. Kinderen mogen de wasmachine niet reinigen of onderhoud uitvoeren zonder adequate toezicht.

### Reinigen van de wasmiddellade

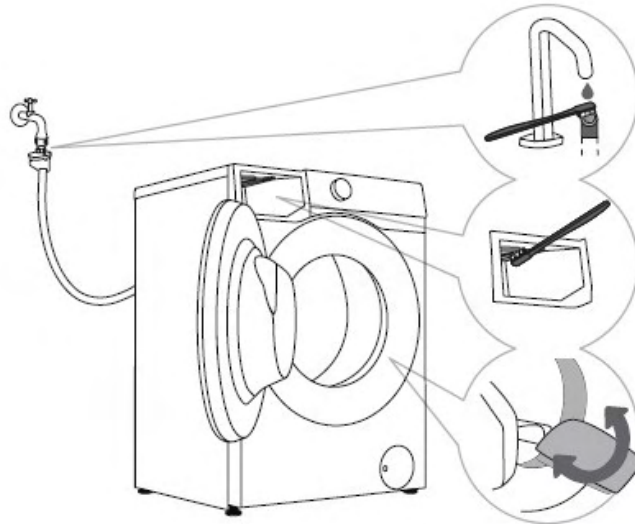


1. Druk op de begrenshendel en trek de wasmiddellade eruit. (Zie de positie aangegeven door de pijl in het linker diagram)

2. Reinig de wasmiddellade met een borstel en spoel deze af onder stromend water, veeg daarna droog. Verwijder eventuele wasmiddelresten van de bodem van het apparaat. Plaats vervolgens de wasmiddellade terug op zijn plaats.

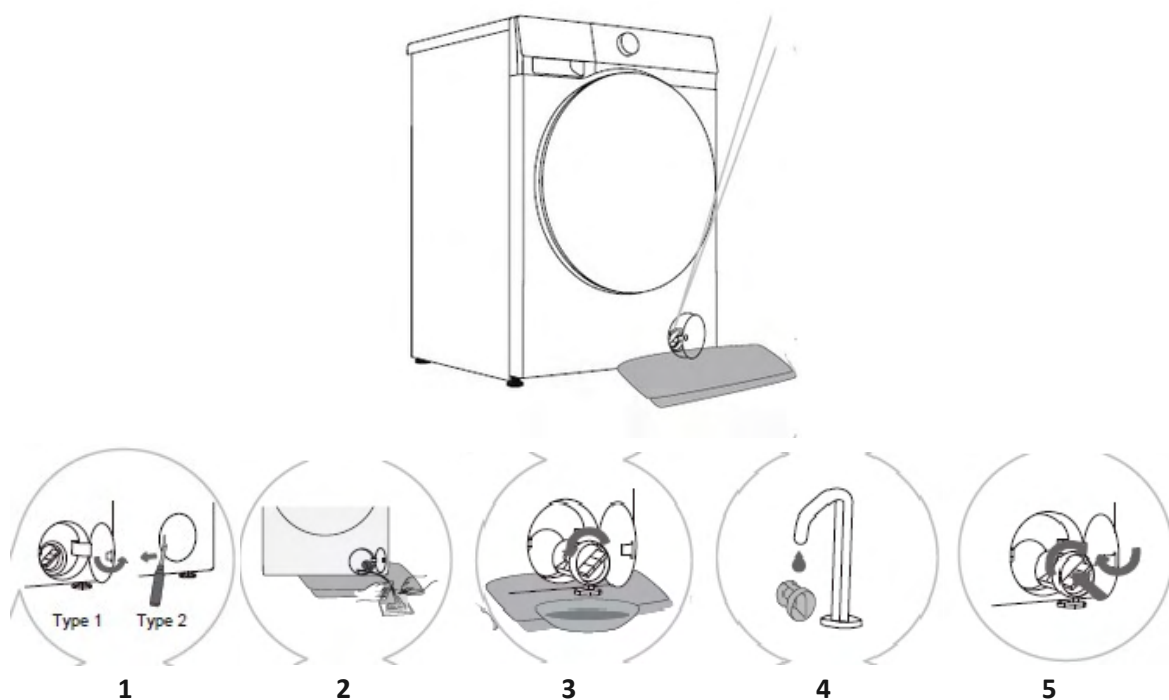
**Was de wasmiddellade niet in de vaatwasser.**

## Reinigen van de watertoevoerslang, het wasmiddelladehuis en de rubberen deurrubber



1. Reinig het filter van de watertoevoerslang regelmatig. Gebruik een borstel om het volledige wasmiddelladehuis te reinigen, vooral de sproeiers aan de bovenkant.
2. Veeg na elke wasbeurt de rubberen deurrubber schoon om de levensduur te verlengen.
3. Om schimmelvorming op de rubberen afdichting te voorkomen, laat de deur na het wassen iets openstaan zodat het vocht kan verdampen voordat u de deur sluit.

## Reinigen van het pompfilter

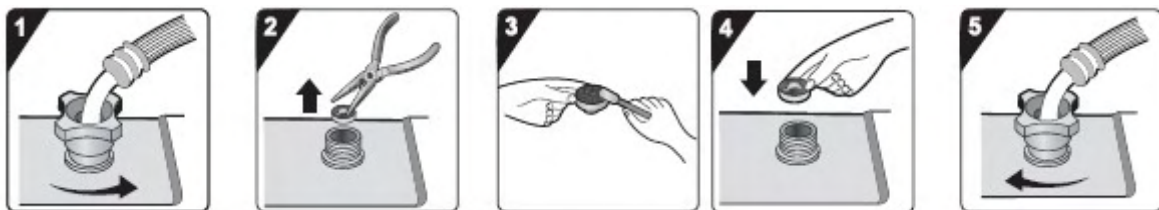


1. Open de pompfilterklep.
  - Type 1: Druk op de pompfilterklep om deze te openen.
  - Type 2: Gebruik een geschikt gereedschap (platte schroevendraaier of vergelijkbaar) om de pompfilterklep te openen. (Het type varieert afhankelijk van het model.)
2. Plaats een handdoek onder de filterklep. Als het apparaat is voorzien van een afvoerslang, plaats het uiteinde van de slang in een bak. Draai de afvoerslangstop los en verwijder deze om het water langzaam te laten weglopen. Plaats daarna de afvoerslangstop terug. Als er geen afvoerslang is, plaats dan een bak onder de pompfilter. (Het type varieert afhankelijk van het model.)
3. Draai de pompfilter langzaam tegen de klok in. Trek de pompfilter eruit zodat het water langzaam kan weglopen.
4. Reinig de pompfilter onder stromend water.
5. Plaats de pompfilter terug zoals weergegeven in de afbeelding en draai deze met de klok mee vast. Voor een goede afdichting moet het oppervlak van de filterpakking schoon zijn.

De pompfilter moet tijdig worden gereinigd, vooral na het wassen van zeer pluizige, wollen of zeer oude was. Reinig de pompfilter ook als het apparaat de centrifugeercyclus niet kan starten of wanneer er vuil in de pomp zit (knopen, munten, haarspelden, clips, enz.). Open de pompfilter niet terwijl het apparaat in werking is. Gebruik het apparaat pas als de pompfilter correct is geplaatst om lekkages of storingen te voorkomen.

## Reinigen van het toevoerfilter

Controleer en reinig het toevoerfilter regelmatig. Reinig het toevoerfilter onmiddellijk als de watertoevoer traag is. De werkwijze is als volgt:



1. Sluit de watertap en schroef de watertoevoerslang los.
2. Verwijder het toevoerfilter.
3. Reinig het toevoerfilter.
4. Plaats het toevoerfilter terug.
5. Sluit de watertoevoerslang aan, open de watertap en controleer of er geen lekkages bij de aansluiting zijn.

## Reinigen van de buitenkant

Koppel de wasmachine altijd los van het elektriciteitsnet voordat u gaat reinigen. Reinig de buitenkant van de wasmachine en het display met een zachte, vochtige katoenen doek en water. Veeg daarna het apparaat droog met een zachte, droge doek. Gebruik geen oplosmiddelen of schoonmaakmiddelen die de wasmachine kunnen beschadigen (houd u aan de aanbevelingen en waarschuwingen van de fabrikanten van de schoonmaakmiddelen). Reinig de deur van het apparaat met een vochtige doek en veeg deze daarna droog met een zachte, droge doek. Gebruik geen overmatig water bij het reinigen van het apparaat.

## 9. PROBLEMEN OPLOSSEN

Foutverschijnsel	Aanbevolen tegenmaatregelen
Machine start niet	<p>Controleer of de stroomkabel in het stopcontact is gestoken en of het stopcontact correct functioneert (door het te testen met een ander apparaat).</p> <p>Controleer of de deur goed is gesloten.</p> <p>Controleer of de "Start/Pauze"-knop is ingedrukt.</p> <p>Machine stopt tijdens normaal gebruik</p> <p>Controleer of de deur goed is gesloten. Sluit de deur en druk op de "Start/Pauze"-knop.</p> <p>Controleer op overtollig schuim. Het apparaat kan het programma pauzeren voor het ontromen. Na het ontromingsproces wordt het programma automatisch hervat.</p> <p>Controleer of de veiligheidsbeveiliging is geactiveerd.</p>
De tijd die aan het begin van het programma wordt weergegeven, neemt toe of af	<p>Dit is de adaptieve aanpassing van het apparaat aan de factoren die de wastijd beïnvloeden.</p> <p>Overmatig schuim.</p> <p>Onevenwicht veroorzaakt door grote waslading.</p> <p>Verlengde opwarmtijd door lage watertemperatuur.</p> <p>Als gevolg van deze factoren wordt de resterende tijd die op het display wordt weergegeven, opnieuw berekend en dienovereenkomstig bijgewerkt (als het apparaat een onevenwichtsaanpassing uitvoert, blijft de weergegeven tijd onveranderd).</p> <p>Daarnaast detecteert het apparaat de belading tijdens de watertoevoer en past het de programmaduur hierop aan (fuzzy control).</p>
Resterend wasmiddel of andere toevoegingen in de wasmiddellade na het wassen	<p>Controleer of de wasmiddellade correct is geplaatst en schoon wordt gehouden.</p> <p>Controleer of de waterdruk normaal is en of het toevoerfilter niet verstopt is.</p>
Geur in de machine	<p>De geur kan worden veroorzaakt door de rubberen materialen in het apparaat. Het betreft de geur van rubber, die na een paar keer gebruik verdwijnt.</p>
Abnormaal geluid/lawaai tijdens het wassen	<p>Foreign objects such as keys, coins or pins may have fallen into the drum. Stop the appliance and check for foreign objects in the drum. If the noise persists after restarting, please contact after-sales service. Laundry may be unevenly distributed in the drum. Pause the program, unlock the door, and redistribute the laundry.</p>
Sterke trillingen tijdens het centrifugeren	<p>Er kunnen vreemde voorwerpen zoals sleutels, munten of spelden in de trommel zijn gevallen. Stop het apparaat en controleer de trommel op vreemde voorwerpen. Als het geluid aanhoudt na het opnieuw starten, neem dan contact op met de klantenservice. De was kan ongelijkmatig in de trommel zijn verdeeld. Pauzeer het programma, ontgrendel de deur en verdeel de was opnieuw.</p>
Slecht centrifugeerresultaat	<p>Er kunnen vreemde voorwerpen zoals sleutels, munten of spelden in de trommel zijn gevallen. Stop het apparaat en controleer de trommel op vreemde voorwerpen. Als het geluid aanhoudt na het opnieuw starten, neem dan contact op met de klantenservice. De was kan ongelijkmatig in de trommel zijn verdeeld. Pauzeer het programma, ontgrendel de deur en verdeel de was opnieuw. Sterke trillingen kunnen optreden tijdens het centrifugeren. Controleer of de was gelijkmatig in de trommel is verdeeld en of de wasmachine waterpas staat. Slecht centrifugeerresultaat kan ook worden veroorzaakt door een onevenwichtige belading of te weinig was in de trommel.</p>

Waterlekkage	<p>Lek uit de watertoevoerslang Controleer de aansluiting tussen de kraan en de connector van de watertoevoerslang op lekkages. Als er een lek is, wikkel dan afdichtingstape om het uiteinde van de kraan of vervang de kraan.</p> <p>Het wordt aanbevolen om de aansluiting tussen de connector van de watertoevoerslang en het inlaatventiel op dichtheid te controleren. Draai de aansluiting vast om lekkages te voorkomen.</p> <p>Lek uit de afvoerslang Bij modellen met bovenafvoer mogen de klemmen van de afvoerslang niet worden verwijderd, omdat dit zal leiden tot een continue waterafvoer.</p> <p>Lek uit de wasmiddellade De wasmiddellade is niet goed gesloten. Duw het handvat om de wasmiddellade stevig te sluiten.</p> <p>Lek uit de deurafdichting Controleer de deurafdichting op vreemde voorwerpen en maak deze indien nodig schoon.</p>
Gekreukte was	<p>De was wordt niet onmiddellijk uit de trommel gehaald. Haal de was direct uit de trommel nadat de wascyclus is voltooid. Het apparaat is overbeladen. De trommel mag niet te vol zijn en de deur moet gemakkelijk te sluiten zijn. De centrifugeersnelheid is te hoog. Stel een geschikte centrifugeersnelheid in voor het type wasgoed.</p>

## Fault codes

Description	Possible Cause	Solution
<b>F01</b>	Fout bij waterinlaat	<p>Controleer het volgende:</p> <ol style="list-style-type: none"> <li>1. Is de watertap open? Is de waterdruk te laag?</li> <li>2. Is de watertoevoerslang gekneld?</li> <li>3. Is het toevoerfilter verstopt?</li> <li>4. Is de watertoevoerslang bevroren?</li> <li>5. Na het oplossen van het probleem, druk op de "Start/Pauze"-knop om de werking te hervatten.</li> </ol>
<b>F03</b>	Fout bij waterafvoer	<p>Controleer het volgende:</p> <ol style="list-style-type: none"> <li>1. Is de afvoerslang gekneld? Loopt het water door de slang?</li> <li>2. Is het filter op de afvoerslang verstopt?</li> <li>3. Is de afvoerslang bevroren?</li> <li>4. Na het oplossen van het probleem, druk op de "Start/Pauze"-knop om de werking te hervatten.</li> </ol>
<b>F24</b>	Overloop	<p>Pauzeer en start het programma opnieuw. Als het apparaat blijft overstromen, sluit dan de watertap en neem contact op met een servicetechnicus.</p>
<b>F13</b>	Fout bij deurvergrendeling	<p>De deur is gesloten, maar kan niet worden vergrendeld. Schakel het apparaat uit en weer in. Start vervolgens het wasprogramma opnieuw.</p>
<b>F14</b>	Fout bij deurontgrendeling	<p>Als de fout blijft bestaan, neem contact op met een servicetechnicus. De deur is gesloten, maar kan niet worden ontgrendeld. Schakel het apparaat uit en vervolgens weer in.</p>
<b>Other</b>	Fout in het elektronische module	<p>Als de fout blijft bestaan, neem contact op met een servicetechnicus. Schakel het apparaat uit en vervolgens weer in. Start het wasprogramma opnieuw.</p>
<b>Unb</b>	Onevenwichtswaarschuwing	<p>Als de fout blijft bestaan, neem contact op met een servicetechnicus. Het onevenwichtsalarm kan worden opgelost met de volgende methoden:</p> <ol style="list-style-type: none"> <li>1. De was is in de war geraakt.</li> </ol>

		<p>Als de was in de war zit, schakel dan eerst het apparaat uit, open de deur, schud de was los en leg deze terug in de trommel. Sluit daarna de deur en selecteer opnieuw het centrifugeerprogramma.</p> <p>Bij te weinig was, schakel het apparaat uit, open de deur en voeg extra was toe (of één of twee handdoeken). Sluit vervolgens de deur en selecteer opnieuw het centrifugeerprogramma.</p>
--	--	--

### Voordat u een servicetechnicus belt

Wanneer u contact opneemt met het servicecentrum, vermeld dan altijd het model van uw apparaat.

Het model, de code/ID, het type en het serienummer staan op het typeplaatje van het apparaat.

Bij een defect mogen alleen door geautoriseerde fabrikanten goedgekeurde reserveonderdelen worden gebruikt.

Reparaties of garantieclaims als gevolg van onjuiste aansluitingen of verkeerd gebruik van het apparaat vallen niet onder de garantie. In dergelijke gevallen zijn de reparatiekosten voor rekening van de gebruiker.

**Aanbevelingen voor gebruik**

Bij het voor de eerste keer wassen van gekleurde kleding, was deze apart per kleur.

Was sterk vervuilde was in kleinere hoeveelheden, met extra poederwasmiddel of een voorwasprogramma (indien beschikbaar). Breng bij hardnekkige vlekken een speciaal vlekverwijderingsmiddel aan vóór het wassen. Raadpleeg hiervoor de tips voor vlekverwijdering.

Als u vaak wast op lage temperaturen en met vloeibaar wasmiddel, kunnen bacteriën zich ontwikkelen en geur in de wasmachine veroorzaken. Om dergelijke geuren te voorkomen, wordt aangeraden af en toe het programma "Trommelreiniging" (of een ander programma op hoge temperatuur) te draaien.

Was geen zeer kleine hoeveelheden was, omdat dit leidt tot overmatig energieverbruik en slechte prestaties van de wasmachine.

Maak eventuele gevouwen of in de war geraakte was los voordat u deze in de trommel plaatst.

Gebruik uitsluitend wasmiddelen die geschikt zijn voor wasmachines.

Als de waterhardheid hoger is dan 14°dH, dient u waterontharder te gebruiken. Schade aan het verwarmingselement door verkeerd gebruik van waterontharder valt niet onder de garantie. Controleer de informatie over waterhardheid bij uw lokale waterbedrijf of bevoegde instantie.

Het gebruik van chloorhoudende bleekmiddelen wordt niet aanbevolen, omdat deze het verwarmingselement kunnen beschadigen.

Als u een ontkalkingsmiddel, bleekmiddel of kleurstof gebruikt, gebruik dan alleen middelen die geschikt zijn voor gebruik in de wasmachine.

Gebruik geen oplosmiddelen of soortgelijke chemicaliën (bijv. verfverdunder, terpentijn, benzine).

Voeg geen verharde klonten poederwasmiddel toe aan de wasmiddellade, omdat dit de leidingen van de wasmachine kan verstoppen.

Poeder- of vloeibaar wasmiddel dient te worden toegevoegd volgens de instructies van de fabrikant, de wastemperatuur en het geselecteerde programma.

Bij gebruik van geconcentreerde vloeibare wasmiddelen wordt aanbevolen deze met water te verdunnen om verstopping van de wasmiddellade te voorkomen.

Vloeibaar wasmiddel is geschikt voor wasprogramma's zonder voorwas.

Wees voorzichtig om wasmiddel en wasverzachter niet te mengen.

Bij hogere centrifugeersnelheden zal er minder restvocht in de was achterblijven. Hierdoor wordt drogen in de droger economischer en sneller.

### Verbruikstabel

1. Het Eco 40-60 programma kan normaal vervuilde katoenen was op ongeveer 40°C tot 60°C samen in één cyclus reinigen. Dit programma wordt gebruikt om de naleving van de EU-ecodesignwetgeving te beoordelen.
2. Het stroomverbruik in de uit-stand is 0,49 W.
3. De meest energiezuinige programma's zijn doorgaans die welke bij lagere temperaturen en langere duur draaien.

4. Het laden van de huishoudelijke wasmachine tot de door de fabrikant aangegeven capaciteit voor de betreffende programma's draagt bij aan energie- en waterbesparing.
5. Correct gebruik van wasmiddel, wasverzachters en andere toevoegingen. Gebruik geen overmatig wasmiddel, omdat dit de wasresultaten negatief kan beïnvloeden.
6. Periodiek reinigen, inclusief optimale frequentie, en het voorkomen van kalkaanslag volgens de voorgeschreven procedure.
7. Geluidsniveau en restvochtgehalte worden beïnvloed door de centrifugeersnelheid: hoe hoger de centrifugeersnelheid tijdens de centrifugeerfase, hoe hoger het geluidsniveau en hoe lager het restvochtgehalte.
8. De productinformatie en QR-code zijn terug te vinden op het energielabel. De productregistratie-informatie kan worden verkregen door de QR-code te scannen.
9. Informatie over standaardprogramma's.

Programma	Nominale capaciteit	Geselecteerde temp	Maximale temp	Programmaduur	Energieverbruik (kWh/cyclus)	Waterverbruik (liter/cyclus)	Restvochtgehalte (%)	Centrifugerensnelheid (rpm)
Eco 40-60	7 kg	-	237C	03:28	0.638	48	53	1400
Eco 40-60 ½ load Eco 40-60 ¼ load	3.5 kg	-	33C	02:42	0.380	35	53.9	1400
60 ¼ load	2 kg	-	23C	02:40	0.235	25	55	1400
Katoen	7 kg	20C	20C	01:50	0.120	66	68	1000
Katoen	7 kg	60C	52C	03:38	1.060	100	58	1400
Synthetisch	3.5 kg	40C	40C	02:19	0.650	65	38	1400
Snel 15	1 kg	20C	20C	00:15	0.040	23	75	800

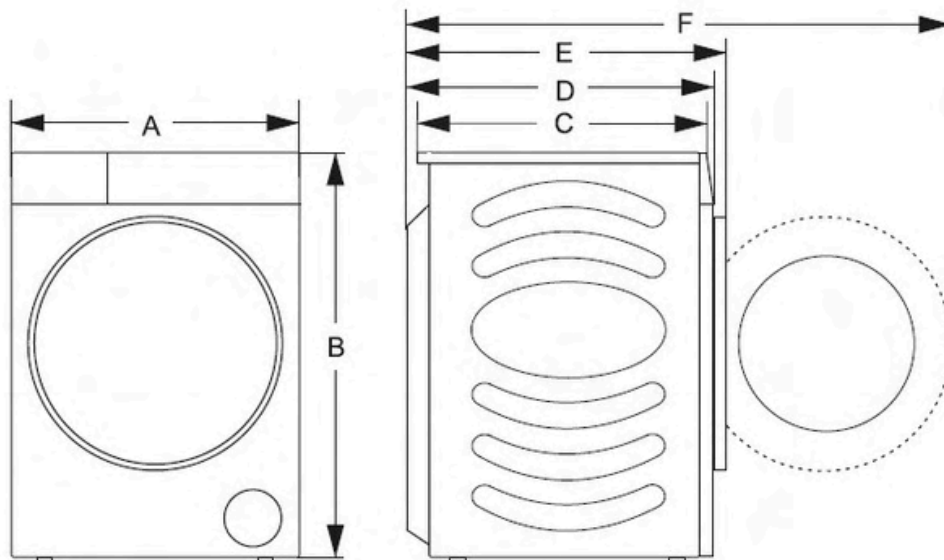
De vermelde waarden voor programma's anders dan het Eco 40-60 programma zijn uitsluitend indicatief.

De maximale of nominale lading geldt voor wasgoed dat is voorbereid volgens de IEC 60456-norm. Vanwege afwijkingen in type en hoeveelheid was, centrifugeren, schommelingen in de stroomvoorziening en omgevingstemperatuur en luchtvochtigheid, kunnen de gemeten programmaduur en het energieverbruik bij de eindgebruiker afwijken van de waarden in de tabel. Wij behouden ons het recht voor op wijzigingen en eventuele fouten in de gebruiksaanwijzing.

## TECHNISCHE GEGEVENS

Product	HWM-HME1014IVA10+++
Kleur	220-240V – 50Hz
Nominale capaciteit	10 kg
Nominaal vermogen	1600 W 595 x 470 x 845
Afmetingen van het product (BxDxH)	61 kg
Netto gewicht	

Afmetingen	A	595 mm
	B	845 mm
	C	385 mm
	D	435 mm
	E	470 mm
	F	920 mm



De technische informatie bevindt zich op het typeplaatje aan de binnenzijde van het apparaat en op het energielabel. De QR-code op het energielabel dat bij het apparaat is geleverd, biedt een weblink naar informatie over de prestaties van het apparaat in de EU EPREL-database. Bewaar het energielabel voor referentie samen met de gebruiksaanwijzing en alle andere documenten die bij dit apparaat zijn geleverd. Het is ook mogelijk om dezelfde informatie te vinden in EPREL via de link <https://eprel.ec.europa.eu> en het modelnaam en productnummer dat op het typeplaatje van het apparaat staat. Om informatie over uw product in het EPREL-portaal te bekijken, kunt u de onderstaande codes scannen:



Dank u voor de aankoop van dit product. Als u ondersteuning nodig heeft bij uw product, bezoek dan onze website via de onderstaande links.

**Handleidingen:** <https://www.heinner.ro>

**Service-informatie:** <https://www.heinner.ro>

**Milieuvriendelijke verwijdering**

U kunt helpen het milieu te beschermen! Houd u aan de lokale regelgeving en lever defecte elektrische apparaten in bij een geschikt inzamelpunt voor afval.



**HEINNER** is een geregistreerd handelsmerk van **Network One Distribution SRL**. Andere merken en productnamen zijn handelsmerken of geregistreerde handelsmerken van hun respectieve eigenaren.

Geen enkel deel van de specificaties mag op enigerlei wijze worden gereproduceerd of gebruikt voor afgeleide werken zoals vertaling, transformatie of aanpassing zonder toestemming van NETWORK ONE DISTRIBUTION.

Copyright © 2013 Network One Distribution. Alle rechten voorbehouden.

[www.heinner.com](http://www.heinner.com), <http://www.nod.ro>



Dit product voldoet aan de normen en standaarden van de Europese Gemeenschap.



Importeur: **Network One Distribution**, Marcel Iancu Street 3-5,

Boekarest, Roemenië

Tel.: +40 21 211 18 56 [www.heinner.com](http://www.heinner.com) , [www.nod.ro](http://www.nod.ro)

# MACHINE À LAVER AUTOMATIQUE

Model:

HWM-HME1014IVA10+++



- Machine à laver automatique
- Capacité : 10 kg
- Classe d'efficacité énergétique : A

**HEINNER**

## 1. INTRODUCTION

Veuillez lire attentivement les instructions et conserver le manuel pour de futures références.

Ce manuel a été conçu pour fournir toutes les instructions nécessaires concernant l'installation, l'utilisation et l'entretien de l'appareil. Afin de faire fonctionner l'appareil correctement et en toute sécurité, veuillez lire attentivement ce manuel d'instructions avant l'installation et l'utilisation.

## 2. CONTENT OF YOUR PACKAGE

- Machine à laver automatique
- Manuel d'utilisation
- Certificat de garantie

## 3. MESURES DE SÉCURITÉ

### Précautions de sécurité

- Ne pas utiliser l'appareil sans avoir lu ou compris ce manuel. Le non-respect des instructions ou une utilisation incorrecte peut endommager le linge ou l'appareil, ou provoquer des blessures. Veuillez conserver le manuel à proximité de l'appareil pour un accès facile.
- Cet appareil est destiné à un usage domestique. Si l'appareil est utilisé à des fins professionnelles, lucratives ou dépassant l'usage normal d'un foyer, ou s'il est utilisé par une personne qui n'est pas un consommateur, la durée de la garantie sera égale à la période de garantie la plus courte exigée par la législation applicable.
- Cet appareil n'est pas destiné à être utilisé par des personnes (y compris les enfants) ayant des capacités physiques, sensorielles ou mentales réduites, ou un manque d'expérience et de connaissances, sauf si elles ont été supervisées ou instruites sur l'utilisation de l'appareil par une personne responsable de leur sécurité.
- Les enfants doivent être surveillés afin de s'assurer qu'ils ne jouent pas avec l'appareil. Les enfants de moins de 3 ans doivent être tenus à l'écart, sauf s'ils sont constamment surveillés.
- Cet appareil peut être utilisé par des enfants à partir de 8 ans et par des personnes ayant des capacités physiques, sensorielles ou mentales réduites, ou un manque d'expérience et de connaissances, si elles ont été supervisées ou instruites sur l'utilisation de l'appareil de manière sûre et comprennent les dangers potentiels.
- Les enfants ne doivent pas jouer avec l'appareil. Le nettoyage et l'entretien utilisateur ne doivent pas être effectués par des enfants sans surveillance.
- La capacité maximale pour certains cycles pour le linge sec est [information manquante dans l'original].
- Pour connecter l'appareil à l'alimentation en eau, assurez-vous d'utiliser le tuyau d'alimentation en eau et les joints fournis. La pression de l'eau doit être comprise entre 0,1 et 1 MPa (1–10 bar ; 1–10 kp/cm<sup>2</sup> ; 10–100 N/cm<sup>2</sup>). Utilisez toujours un tuyau d'alimentation en eau neuf pour connecter l'appareil à l'alimentation en eau ; ne réutilisez pas un ancien tuyau.
- Pour les appareils avec des ouvertures de ventilation à la base, celles-ci ne doivent pas être obstruées par un tapis. Si le cordon d'alimentation est endommagé, il doit être réparé par le fabricant, son agent de service ou une personne qualifiée afin d'éviter tout danger.

## Sécurité électrique

- Cet appareil est conforme aux normes de sécurité en vigueur. Avant de connecter la machine à laver au réseau électrique, attendez au moins 2 heures afin qu'elle atteigne la température ambiante. Cet appareil doit être réparé par un centre de service agréé, en utilisant uniquement des pièces de rechange approuvées par les fabricants autorisés.
- Toute réparation ou maintenance liée à la sécurité ou aux performances doit être effectuée par des professionnels qualifiés. Ne tentez pas de réparer l'appareil vous-même. Les réparations effectuées par du personnel non qualifié peuvent entraîner des blessures ou des dommages plus graves. Veuillez consulter votre centre de service local et insistez toujours pour utiliser des pièces de rechange d'origine.
- N'essayez pas d'utiliser l'appareil s'il est endommagé, défectueux, partiellement démonté ou s'il manque des pièces ou présente des pièces endommagées, y compris des fils ou des prises abîmés. Ne pliez pas excessivement le cordon d'alimentation et ne placez pas d'objets lourds dessus. Ne nettoyez pas l'intérieur ou l'extérieur de l'appareil avec un jet d'eau. En cas d'inondation, débranchez immédiatement l'appareil et contactez le service après-vente.
- Les modèles avec fonction de séchage permettent l'arrêt automatique du chauffage pour éviter la surchauffe. Le chauffage s'éteint automatiquement lorsque la température dépasse le seuil de sécurité et redémarre lorsque la température redescend en dessous du seuil.
- Ne connectez pas plusieurs prises multiples, rallonges ou adaptateurs doubles à l'appareil. Ne connectez pas l'appareil au réseau électrique via une rallonge. Ne branchez pas l'appareil sur une prise destinée à un rasoir électrique ou à un sèche-cheveux. Ne branchez pas l'appareil sur une prise destinée à de petites charges électriques.
- Avant de connecter l'appareil à l'alimentation électrique, assurez-vous que la tension indiquée sur la plaque signalétique correspond à celle de votre prise. La prise doit être correctement mise à la terre et l'alimentation en eau doit être libre et non obstruée.
- Ne connectez pas l'appareil au réseau électrique via un dispositif de commutation externe, tel qu'un programmateur, ni à un réseau électrique régulièrement coupé et rétabli par le fournisseur d'électricité. L'air d'évacuation ne doit pas être rejeté dans un conduit conçu pour l'évacuation des gaz de combustion ou d'autres gaz de combustion de carburant.

## Installation

- Avant d'utiliser l'appareil, assurez-vous de retirer l'emballage (éponge, polystyrène, etc.) fixé au bas de l'appareil. Veuillez installer l'appareil correctement selon les instructions et le connecter à l'alimentation en eau et en électricité.
- La tuyauterie et le câblage électrique doivent être réalisés par un technicien ou un professionnel entièrement formé. N'installez pas l'appareil dans un endroit où l'ouverture de la porte est restreinte.
- Ne pas installer l'appareil dans un endroit où la température peut descendre en dessous de 5 °C, car ses composants peuvent être endommagés en cas de gel de l'eau. Placez l'appareil sur un sol solide et de niveau. S'il est installé sur une plateforme surélevée, l'appareil doit être renforcé pour éviter tout basculement.
- L'extrémité du tuyau d'évacuation de l'eau doit atteindre une canalisation de drainage. Cet appareil ne doit pas être stocké ni utilisé en extérieur. Évitez l'accumulation de peluches à proximité de l'appareil.
- Ne pas installer l'appareil près de chauffages ou de matériaux inflammables. Ne pas installer l'appareil dans un endroit où des fuites de gaz peuvent se produire. Assurez une bonne ventilation pour éviter que les gaz générés par l'appareil ne refluent dans la pièce et provoquent un incendie.

## Utilisation

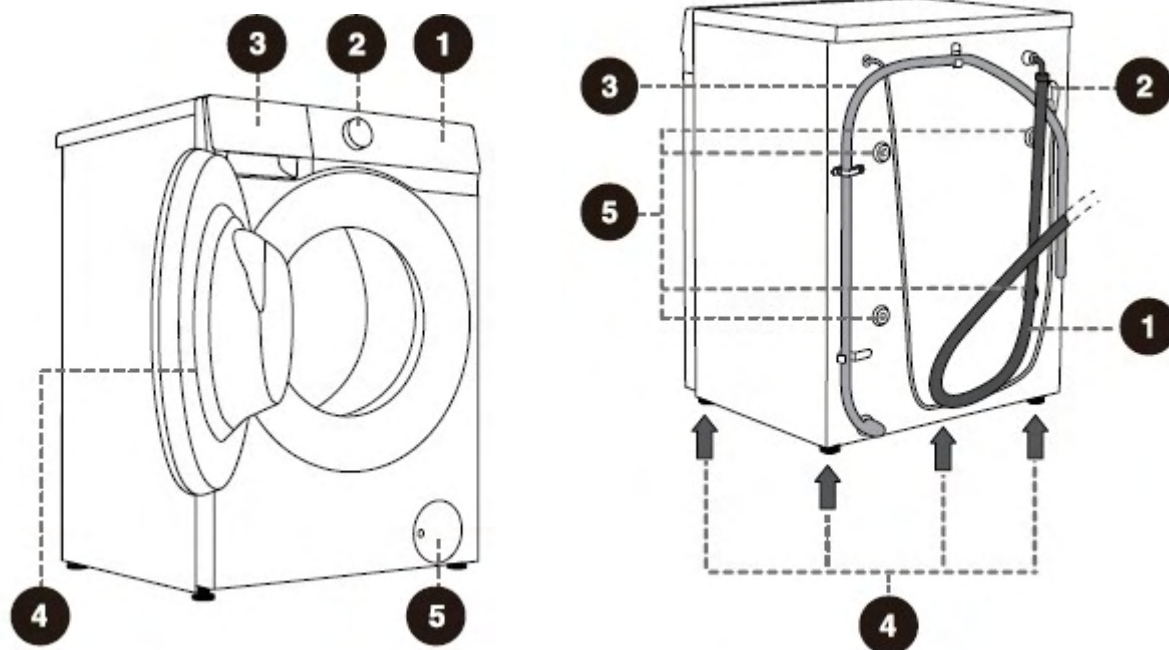
- Retirez les vis/barres de transport avant la première utilisation, sinon de graves dommages peuvent survenir au démarrage de l'appareil. Ces dommages ne sont pas couverts par la garantie. Vérifiez l'appareil pour tout dommage survenu pendant le transport. N'utilisez jamais l'appareil s'il est endommagé.
- Utilisez des détergents adaptés à l'appareil et au type de linge. Nous ne pouvons être tenus responsables des dommages ou de la décoloration des joints et pièces en plastique résultant d'une utilisation incorrecte de produits blanchissants ou colorants. Ne tentez pas de retirer des panneaux ou de démonter l'appareil. Ne pressez pas les boutons avec des objets pointus tels que des aiguilles, couteaux ou clous. Ne touchez pas la prise électrique et n'utilisez pas l'appareil avec les mains mouillées.
- Cet appareil est uniquement adapté au lavage ou au séchage régulier. Il ne peut pas être utilisé pour le nettoyage à sec. Tenter de soulever l'appareil lourd peut provoquer des blessures. Ne tentez pas de le soulever vous-même, car vos mains pourraient être coupées par ses bords tranchants.
- Ne pas utiliser les parties saillantes pour déplacer l'appareil. Les parties saillantes peuvent se casser lorsqu'on soulève ou pousse l'appareil. Ne lavez pas de linge contenant de gros boutons ou d'autres objets métalliques lourds et assurez-vous que toutes les poches du linge sont vides. Pour éviter les odeurs et la moisissure, ouvrez la porte à la fin du cycle de lavage pour permettre au tambour de sécher. Ne laissez pas d'objets métalliques dans le tambour pendant de longues périodes.
- Le verre de la porte peut se fissurer en cas de choc violent. Manipulez-le avec précaution. Placez complètement le linge dans le tambour pour éviter qu'il ne se coince dans la porte. Coupez l'alimentation en eau et débranchez le cordon électrique lorsque l'appareil n'est pas utilisé. Ne placez pas d'animaux (comme des animaux domestiques) dans l'appareil.
- Remontez les vis/barres de transport si vous devez déplacer l'appareil installé. Débranchez le cordon d'alimentation avant de remonter les vis/barres de transport ! Fermez le robinet et débranchez l'appareil à la fin du cycle de lavage. Ne débranchez jamais l'appareil en tirant sur le cordon. Tenez toujours fermement la prise et retirez-la droit de la prise électrique.
- N'utilisez pas de détergents contenant des solvants, car cela pourrait provoquer l'émission de gaz toxiques, endommager l'appareil et présenter un risque d'incendie ou d'explosion. N'ouvrez pas la porte par la force pendant son fonctionnement (lavage/séchage à haute température). N'utilisez pas l'appareil après un nettoyage avec des produits chimiques industriels. L'eau évacuée lors d'un cycle de lavage à haute température est chaude. Ne touchez pas l'eau pour éviter les brûlures.
- Le linge contaminé par des huiles alimentaires, acétone, alcool, essence, kérosène, détergents, térébenthine, cire et produits de dépose de cire doit être pré-lavé à l'eau chaude avec beaucoup de détergent avant d'être placé dans le tambour. Utilisez un assouplissant ou des produits similaires selon les instructions du fabricant. Retirez tous les objets des poches, tels que briquets ou allumettes.
- DANGER DE SURFACE CHAUDE
- À des températures de lavage ou de séchage élevées, le verre de la porte chauffera. Faites attention pour éviter les brûlures. Assurez-vous que les enfants ne jouent pas près de la porte en verre. Ne touchez pas le verre de la porte pendant le fonctionnement.
- PROTECTION CONTRE LES DÉBORDEMENTS D'EAU (APPAREIL ALLUMÉ)
- Si le niveau d'eau dans l'appareil dépasse le niveau normal, la protection contre l'excès d'eau sera activée. L'alimentation en eau sera coupée et l'eau commencera à être pompée. Le programme est interrompu et une erreur est signalée.
- Ne lavez ni ne séchez de linge en mousse (mousse latex), bonnets de douche, tissus imperméables, produits en caoutchouc ou vêtements/oreillers contenant des coussins en mousse latex dans le tambour.
- Si votre appareil dispose d'une fonction de séchage, ne coupez pas le programme avant la fin du cycle de séchage. Si vous devez l'interrompre pour une raison quelconque, retirez le linge avec précaution pour éviter les brûlures. Retirez rapidement le linge et étalez-le pour dissiper la chaleur.

- Les frais de réparation résultant de dommages causés par une connexion incorrecte, une installation ou une utilisation inadéquates, ou des réparations effectuées par du personnel non autorisé sont à la charge de l'utilisateur et ne sont pas couverts par la garantie.
- La garantie ne couvre pas les consommables, les légères variations de couleur, le bruit accru dû à l'âge de l'appareil qui n'affecte pas son fonctionnement, ni les défauts esthétiques des composants qui n'affectent pas la fonctionnalité et la sécurité de l'appareil.

## Sécurité des enfants

- Avant de fermer la machine à laver et la porte et de lancer le programme, assurez-vous qu'il n'y a rien dans le tambour à part le linge. Vérifiez qu'aucun enfant n'est monté dans le tambour et n'a fermé la porte de l'intérieur. Ne laissez pas la porte ouverte. Les enfants pourraient s'accrocher à la porte ou pénétrer dans l'appareil, ce qui pourrait provoquer des dommages ou des blessures.
- Gardez tous les matériaux d'emballage hors de portée des enfants, car ils peuvent présenter un danger. Conservez les détergents et l'assouplissant hors de portée des enfants.
- Les enfants doivent être surveillés pour s'assurer qu'ils ne jouent pas avec l'appareil. Les enfants de moins de 3 ans doivent être tenus à l'écart, sauf s'ils sont constamment surveillés.
- Cet appareil peut être utilisé par des enfants à partir de 8 ans et par des personnes ayant des capacités physiques, sensorielles ou mentales réduites, ou un manque d'expérience et de connaissances, s'ils ont été supervisés ou instruits sur l'utilisation sûre de l'appareil et comprennent les risques potentiels.
- Les enfants ne doivent pas jouer avec l'appareil. Le nettoyage et l'entretien utilisateur ne doivent pas être effectués par des enfants sans surveillance.

## 4. DESCRIPTION DU PRODUIT



### Avant

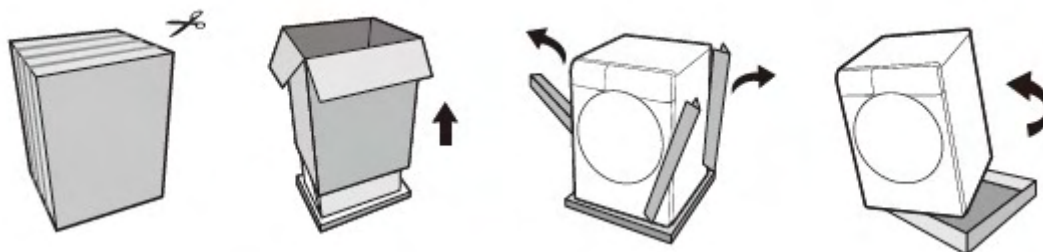
1. Unité de commande
2. Molette de sélection du programme
3. Tiroir à détergent
4. Porte
5. Couverture du filtre de la pompe

### Arrière

1. Tuyau d'alimentation en eau
2. Cordon d'alimentation
3. Tuyau d'évacuation de l'eau
4. Pieds réglables
5. Vis/barres de transport

## 5. INSTALLATION

Retirez d'abord tous les emballages et la mousse, en particulier la mousse située à la base. Lors du retrait de l'emballage, veillez à ne pas endommager l'appareil avec un objet tranchant. Gardez les matériaux d'emballage (sacs plastiques, autres pièces en plastique, etc.) hors de portée des enfants.



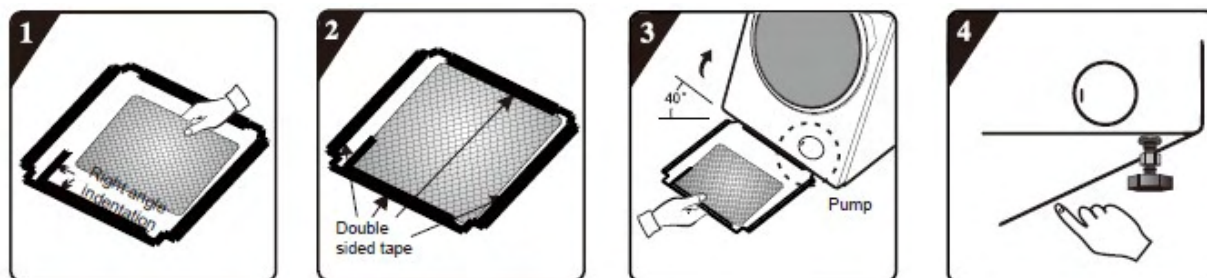
Le processus d'emballage de la machine est simplement l'inverse du déballage décrit ci-dessus. Vérifiez si l'appareil présente des dommages. Si vous suspectez que l'appareil est endommagé, ne l'utilisez pas et contactez immédiatement le service après-vente.

Les accessoires fournis avec cet appareil peuvent inclure un ou plusieurs des éléments suivants :

- Manuel d'utilisation
- 4 bouchons en plastique
- Tuyau d'alimentation en eau
- Support du tuyau d'évacuation
- Clé
- Plaque/ bandes de réduction de bruit / aucun accessoire (selon le modèle)

La configuration des différents modèles peut varier, et les accessoires fournis dépendent de la configuration réelle du modèle.

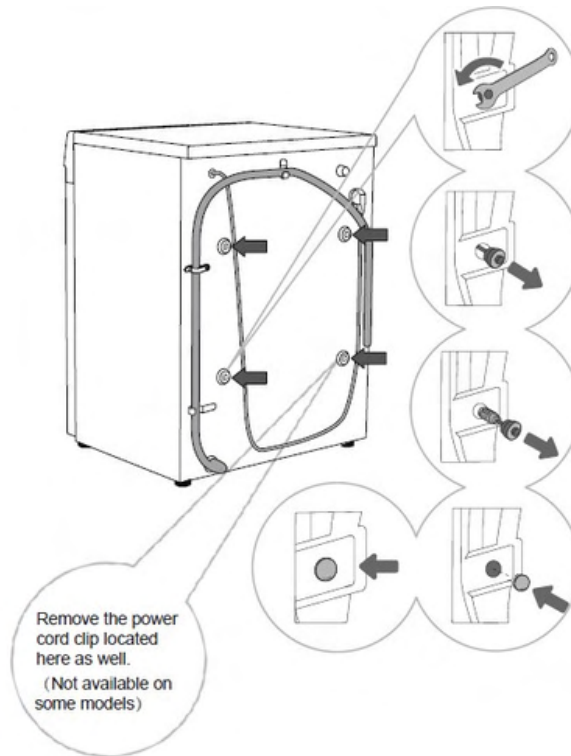
### Comment installer la plaque de réduction de bruit



1. Avant d'installer la plaque de réduction de bruit, alignez et collez la laine d'absorption acoustique avec l'empreinte en angle droit sur la plaque de réduction de bruit (cette opération n'est pas nécessaire pour certains modèles dépourvus de laine d'absorption acoustique).
2. Retirez le papier de protection du ruban adhésif double-face sur les quatre côtés de la plaque de réduction de bruit.
3. Inclinez l'appareil à un angle de 40° et placez le côté avec l'encoche en angle droit vers l'avant de la machine à laver, comme indiqué sur la figure. Insérez le côté avec l'encoche en angle oblique entre les deux vis de pied à l'arrière de la machine, jusqu'à ce qu'il soit complètement en place. Ensuite, installez la plaque de réduction de bruit en vous assurant qu'elle est en contact étroit avec le fond de la machine.
4. Appuyez manuellement sur le ruban adhésif double-face sur les quatre côtés pour fixer solidement la plaque de réduction de bruit à l'appareil.

## Retrait des vis/barres de transport

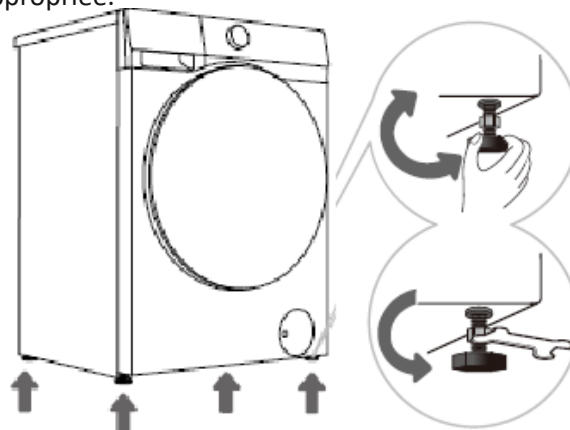
Démontez les vis/barres de transport une fois que tout l'emballage a été retiré. Un appareil bloqué peut être endommagé lorsqu'il est mis en marche. Ces dommages ne sont pas couverts par la garantie.



1. Écartez les tuyaux d'évacuation de l'eau et utilisez une clé appropriée pour desserrer les quatre vis à l'arrière dans le sens antihoraire, comme indiqué par les flèches. Desserrez les vis d'environ 30 mm.
2. Tirez horizontalement sur les 4 vis/barres de transport.
3. Retirez les vis/barres de transport avec les parties en caoutchouc et en plastique.
4. Recouvrez les trous des vis avec les bouchons en plastique. Les bouchons en plastique sont fournis dans le sac contenant le manuel d'utilisation de la machine à laver (le kit de support).
5. Conservez les vis/barres de transport au cas où vous auriez besoin de transporter à nouveau l'appareil plus tard (pour réinstaller les vis/barres de transport, suivez la procédure ci-dessus dans l'ordre inverse).

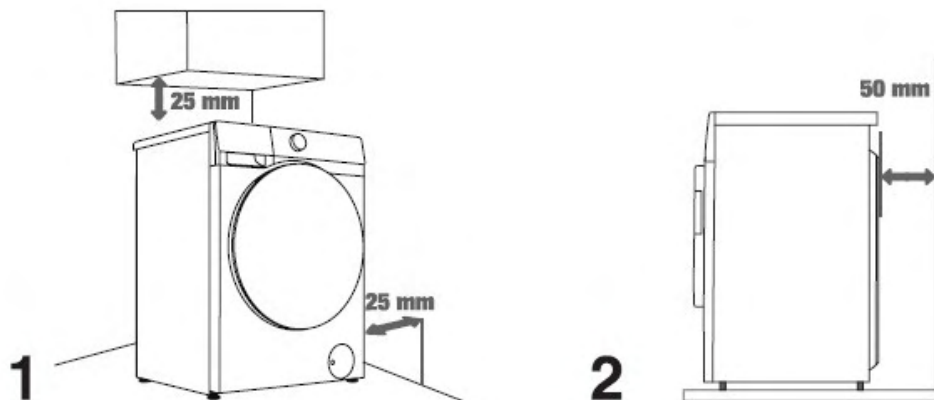
## Pieds réglables et espace d'installation

Placez l'appareil sur un sol solide et de niveau afin de le maintenir stable. Le sol doit être propre et sec ; sinon, la machine à laver peut glisser. Nettoyez également la surface inférieure des pieds réglables. Utilisez un niveau à bulle et une clé appropriée.



Le niveau peut être ajusté en tournant le pied réglable. Le pied réglable permet un réglage horizontal de 2 cm. Après avoir ajusté la hauteur, serrez l'écrou de blocage dans le sens antihoraire à l'aide d'une clé appropriée. Un mauvais nivellement de l'appareil peut provoquer des vibrations, un déplacement de la machine à laver dans la pièce et un fonctionnement bruyant. Le mauvais nivellement de la machine à laver n'est pas couvert par la garantie.

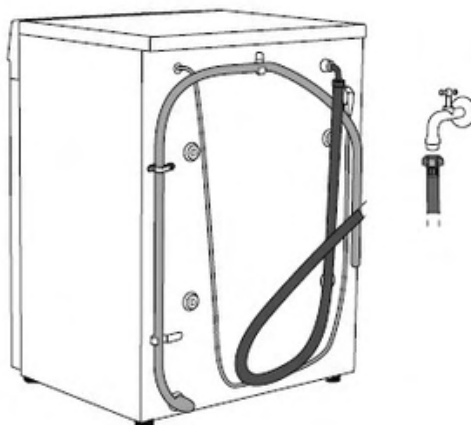
Parfois, des bruits inhabituels ou plus forts peuvent apparaître pendant le fonctionnement de l'appareil. Ils sont généralement dus à une installation incorrecte.



L'appareil ne doit pas être en contact avec un mur ou des meubles adjacents. Pour un fonctionnement optimal de la machine à laver, nous recommandons de respecter les dégagements par rapport aux murs indiqués sur la figure. En cas de non-respect des dégagements minimum requis, le fonctionnement sûr et correct de la machine à laver ne peut pas être garanti. De plus, un risque de surchauffe peut également survenir (Figures 1 et 2 ci-dessus).

### Raccordement à l'alimentation en eau

Le tuyau d'alimentation en eau fourni varie selon le modèle. Veuillez choisir la méthode de raccordement appropriée en fonction du tuyau d'alimentation en eau réel.



- Pour un fonctionnement normal de la machine à laver, la pression dans le réseau d'eau doit être comprise entre 0,1 et 1 MPa (1–10 bar ; 1–10 kp/cm<sup>2</sup> ; 10–100 N/cm<sup>2</sup>). La pression minimale dynamique peut être déterminée en mesurant le débit d'eau. En 15 secondes, 3 litres d'eau doivent s'écouler d'un robinet complètement ouvert.
- Utilisez uniquement le tuyau d'alimentation en eau fourni avec l'appareil. N'utilisez aucun tuyau usagé ou autre. Assurez-vous que le tuyau n'est pas endommagé. Si le tuyau est détérioré, cassant ou fissuré, il doit être remplacé. Cet appareil est conçu uniquement pour l'eau froide. Ne le raccordez pas à l'eau chaude.
- Serrez le tuyau d'alimentation à la main pour garantir une étanchéité correcte (couple maximal : 2 Nm). Vérifiez l'étanchéité pour détecter d'éventuelles fuites. N'utilisez pas de pinces ou d'outils similaires, car ils pourraient endommager le filetage de l'écrou.



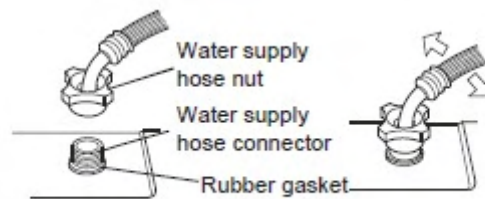
### Vérification de la connexion entre le tuyau d'alimentation en eau et le robinet

- Tirez doucement sur le tuyau d'alimentation en eau pour vérifier que la connexion est sécurisée.
- Ouvrez le robinet pour vérifier l'absence de fuites.
- Le tuyau d'alimentation en eau ne doit pas être tordu ni plié.
- Vérifiez le tuyau d'alimentation avant chaque utilisation afin d'éviter une connexion incorrecte.



### Raccordement du tuyau d'alimentation à l'appareil

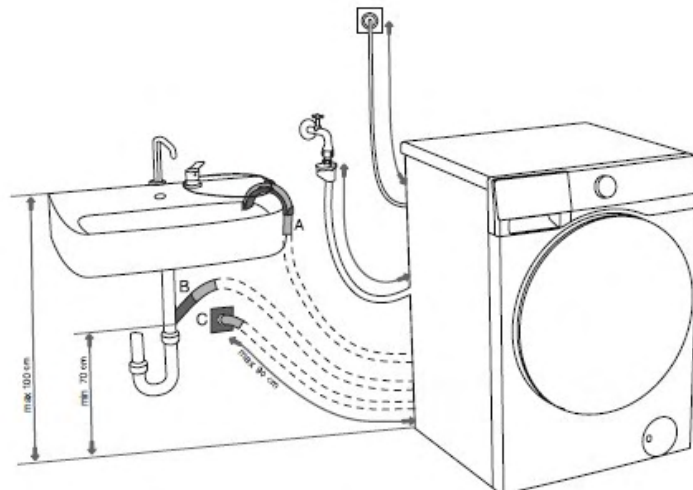
Connectez l'écrou du tuyau d'alimentation au connecteur du tuyau d'alimentation de l'appareil. Serrez l'écrou et secouez-le doucement pour vérifier qu'il est bien fixé, comme indiqué sur la figure de droite.



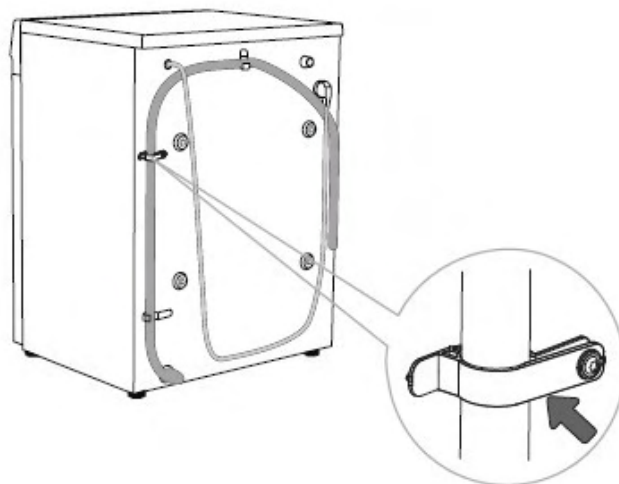
**Remarque :** Serrez l'écrou de manière uniforme. Évitez de faire tourner le tuyau d'alimentation en eau, car cela pourrait l'endommager. Ne retirez pas le joint en caoutchouc. Avant chaque utilisation, vérifiez que le joint n'est pas détaché ou endommagé. En cas de dommage, contactez immédiatement le service après-vente.

### Raccordement et fixation du tuyau d'évacuation de l'eau

Introduisez le tuyau d'évacuation de l'eau dans un lavabo ou une baignoire, ou raccordez-le directement à un drain (diamètre minimum du tuyau d'évacuation : 4 cm). La distance verticale entre le sol et l'extrémité du tuyau d'évacuation doit être comprise entre 70 et 100 cm. Il peut être fixé de trois manières différentes (A, B, C).



- A. L'extrémité du tuyau d'évacuation peut être placée au-dessus d'un évier ou d'une baignoire. Utilisez une ficelle passée à travers l'ouverture du support coudé pour fixer le tuyau et éviter qu'il ne glisse par terre.
- B. Le tuyau d'évacuation peut également être raccordé directement au drain de l'évier. Un évier trop petit n'est pas acceptable. Faites attention, car l'eau évacuée peut être chaude.
- C. Le tuyau d'évacuation peut aussi être raccordé à un drain mural avec un siphon. Ces siphons doivent être correctement installés pour permettre le nettoyage.
- D. Le tuyau d'évacuation doit être fixé aux clips à l'arrière de la machine à laver, comme indiqué sur la figure. Ces clips ne doivent pas être retirés, car cela pourrait empêcher le fonctionnement normal de la machine.

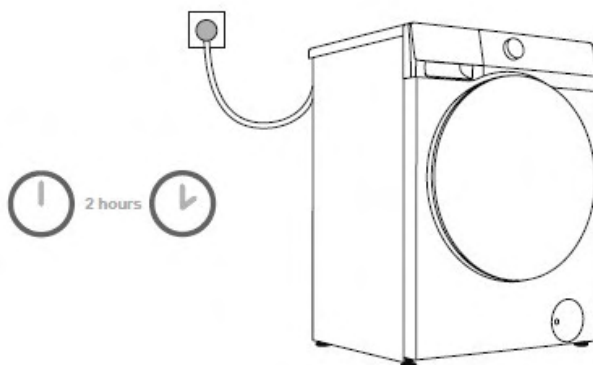


Assurez-vous que le tuyau d'évacuation n'est pas endommagé.

Si le tuyau d'évacuation n'est pas correctement fixé, le fonctionnement sûr et correct de la machine à laver ne peut pas être garanti.

### Raccordement au réseau électrique

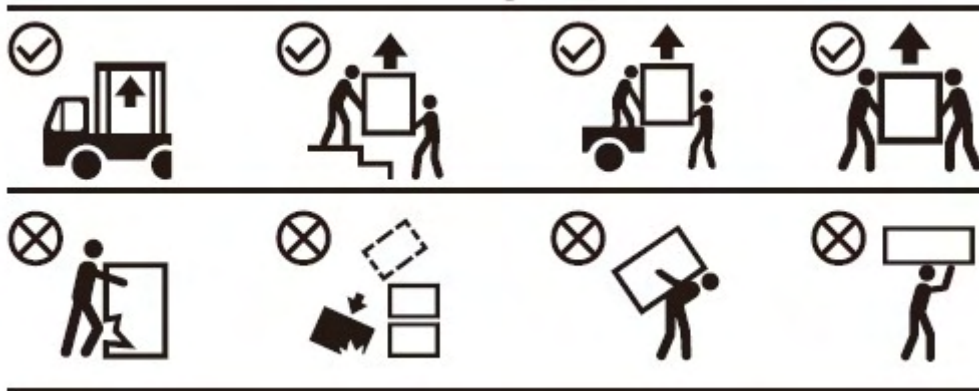
Avant de connecter la machine à laver au réseau électrique, attendez au moins 2 heures afin qu'elle atteigne la température ambiante. Connectez la machine à laver à une prise de courant avec mise à la terre. Après l'installation, la prise doit rester facilement accessible. La prise doit être équipée d'une protection de mise à la terre. Les informations relatives à votre machine à laver sont indiquées sur la plaque signalétique.



- Nous recommandons d'utiliser une protection contre les surtensions pour protéger l'appareil en cas de foudre. La machine à laver ne doit pas être raccordée au réseau électrique via une rallonge.
- Ne branchez pas l'appareil sur une prise destinée à de petites charges électriques.
- Ne branchez ni ne débranchez l'appareil lorsque vos mains sont mouillées. Toute réparation ou maintenance de l'appareil doit être effectuée par des experts qualifiés.
- Un cordon d'alimentation endommagé ne peut être remplacé que par une personne autorisée par le fabricant.

## Transport après installation

- Si vous devez transporter un appareil correctement installé, débranchez d'abord la prise, fermez le robinet, retirez les tuyaux d'arrivée et d'évacuation d'eau, et assurez-vous que le tiroir à détergent et la porte de la machine sont bien fermés. Veillez à réinstaller les vis de transport pour éviter tout dommage causé par les vibrations pendant le transport. Emballez correctement tous les matériaux d'emballage (sacs plastiques, autres pièces en plastique, etc.).
- L'appareil est lourd, il doit être transporté par au moins deux personnes. Lors de la manipulation, ne saisissez pas les parties saillantes, telles que la porte, le capot supérieur, etc., afin d'éviter de les faire tomber ou de les endommager.
- Après le transport, l'appareil doit rester immobile pendant au moins 2 heures avant d'être reconnecté à l'alimentation électrique. L'installation et le raccordement doivent être effectués par un technicien qualifié.
- Veuillez lire attentivement les instructions avant de reconnecter l'appareil. Les dommages causés par une connexion incorrecte ou une utilisation inadéquate ne sont pas couverts par la garantie.

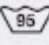
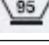

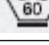
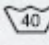
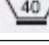

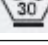

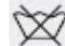
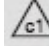

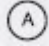
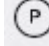



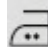
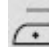



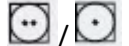



## 6. UTILISATION DU PRODUIT

### Avant la première utilisation

- Cet appareil a été testé en usine et peut contenir une petite quantité d'eau résiduelle. Il est recommandé de lancer un programme « Nettoyage du tambour » (ou tout autre programme à haute température) afin d'éliminer l'eau résiduelle du tambour. Connectez l'appareil au réseau électrique et ouvrez le robinet d'eau. Il ne doit y avoir aucun linge dans le tambour.
- Sélectionnez et lancez le programme.
- N'utilisez aucun solvant ni produit de nettoyage pouvant endommager la machine à laver (veuillez respecter les recommandations et avertissements des fabricants de produits de nettoyage).

## Étiquettes de lavage

Lavage normal – Linge délicat	Température maximale de lavage : 95 °C	Température maximale de lavage : 60 °C	Température maximale de lavage : 40 °C	Température maximale de lavage : 30 °C	Lavage à la main uniquement	Ne pas laver
	 	 	 	 		
Blanchiment	Blanchiment à l'eau froide			Blanchiment interdit		
						
Nettoyage à sec	Solvants pour nettoyage à sec	Solvant pétrolier, R11, R113	Nettoyage à sec avec kérosène, alcool pur et R113		Nettoyage à sec interdit	
						
Repassage	Repassage à chaud, max 200 °C	Repassage à chaud, max 150 °C		Repassage à chaud, max 110 °C	Repassage interdit	
						
Séchage	Séchage à plat (poser sur une surface)	Séchage par trempage / étendage sur corde		Haute température		Ne pas sécher en tambour
						

## Préparation du processus de lavage

1. Triez le linge par type de tissu (coton, mélanges, soie, laine, etc.), instructions de l'étiquette d'entretien, couleur (blanc, couleur) et degré de salissure.
2. Videz les poches ; retirez les objets métalliques pouvant endommager le linge ou l'appareil ; attachez les boutons et retournez les vêtements avec boutons ou broderies à l'envers ; fermez toutes les fermetures éclair ; attachez les cordons sur les vêtements à cordon.
3. Placez les vêtements délicats ainsi que les articles petits ou légers dans un sac de lavage spécial et lavez-les avec le reste du linge.
4. Retournez les articles susceptibles de boulocher ou les tissus à poils longs avant le lavage.
5. Les taches laissées trop longtemps peuvent être difficiles à enlever. Traitez les zones salies telles que les poignets et les cols avant le lavage (voir le chapitre « Conseils pour le traitement des taches »).
6. Ne lavez pas séparément dans le tambour les couettes lourdes, les peluches ou les articles dans des sacs de lavage pour éviter tout dommage.



## Linge non lavable et non séchable

Produits en cuir et en fourrure (risque de déformation)

Rayonne et ses mélanges (risque de décoloration ou de déformation)

Grands coussins en caoutchouc épais (risque de dommage ou de dysfonctionnement)

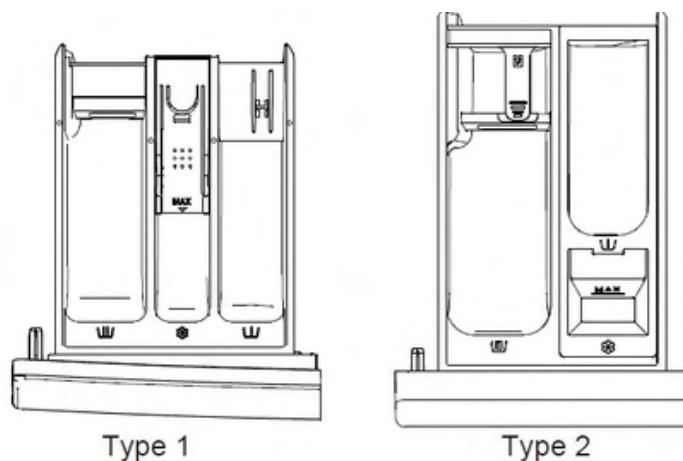
Chapeaux avec matériaux durs (risque de dommages et de dysfonctionnement de la machine)


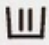

Coussins, oreillers, articles avec rembourrage en coton, mousse ou autres matériaux en éponge, housses de tapis (risque de dommage ou de dysfonctionnement)

Autres : vêtements froissés ou gaufrés ; vestes matelassées enduites ; tissus crêpe ; vêtements facilement déformables (costumes, vestes, cravates, robes, etc.) ; vêtements susceptibles de pelucher facilement (velours, flanelle de coton).


Le linge non lavable et non séchable inclut, mais sans s'y limiter, les articles mentionnés ci-dessus.

## Ajout de détergent / assouplissant



Tiroir à détergent	
	Compartiment pour prélavage
	Compartiment pour lavage principal
	Compartiment pour assouplissant

### Précautions d'utilisation

1. Utilisez toujours des détergents à haute efficacité, neutres, peu moussants et adaptés à cet appareil. La quantité de détergent dépend du type de linge, du niveau de salissure, de la couleur du linge et de la température de lavage. Veuillez ajouter la quantité appropriée selon les instructions de dosage du fabricant de détergent.
2. Des quantités excessives de détergent peuvent provoquer une formation excessive de mousse, ce qui réduit l'efficacité du lavage. Si une mousse excessive est détectée, l'appareil peut interrompre le programme pour la déferrer.
3. Une quantité insuffisante de détergent peut entraîner un mauvais lavage et favoriser l'accumulation de tartre dans le tambour et les conduites d'eau.
4. Nous recommandons d'ajouter le détergent en poudre juste avant le début du cycle de lavage. Si le détergent est ajouté à l'avance, assurez-vous que le compartiment à détergent est complètement sec ; sinon, la poudre peut durcir et former des grumeaux avant le début du cycle.
5. N'utilisez pas de détergent liquide lors de la sélection de la fonction « Retard » ou « Prélavage » (si disponible), car il sera distribué immédiatement et pourrait devenir collant dans le compartiment ou le tambour.
6. Ne laissez pas le détergent durcir, car cela peut provoquer des obstructions, un mauvais rinçage ou des odeurs désagréables.
7. Versez l'assouplissant dans le compartiment marqué «  » et suivez les recommandations d'utilisation figurant sur l'emballage. Ne dépassez pas la ligne MAX dans le compartiment à assouplissant, car cela peut entraîner un relavage prématuré et réduire l'efficacité du lavage.
8. Gardez le détergent et l'assouplissant hors de portée des enfants.
9. Les agents de détartrage corrosifs peuvent endommager l'appareil. N'utilisez pas de solvants. Ne lavez pas le linge ayant été nettoyé avec des solvants ou des substances inflammables.
10. Des résidus blancs (stries, etc.) peuvent apparaître sur le linge noir si vous utilisez des détergents modernes sans phosphates. Dans ce cas, brossez les stries et utilisez un détergent liquide.

11. Avant de démarrer le programme, refermez doucement le tiroir à détergent. Une fermeture brutale peut provoquer le déversement du détergent dans d'autres compartiments ou son relargage prématuré dans le tambour. Faites attention à ne pas vous coincer les doigts en fermant le tiroir.

12. Une petite quantité d'eau peut rester dans le compartiment à détergent à la fin du cycle de lavage.

Chargement de la machine à laver

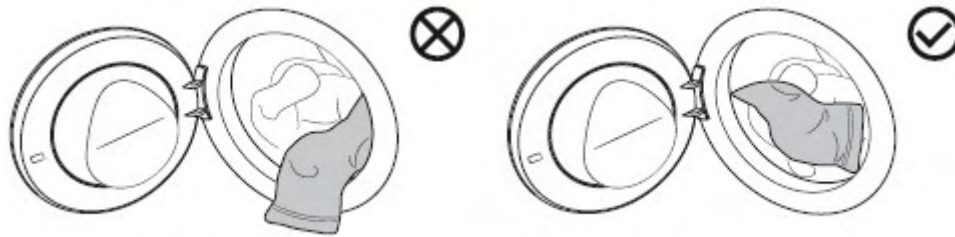
Ouvrez la porte de la machine à laver et insérez le linge librement dans le tambour après avoir vérifié qu'il est vide.

**Fermez la porte de la machine.**

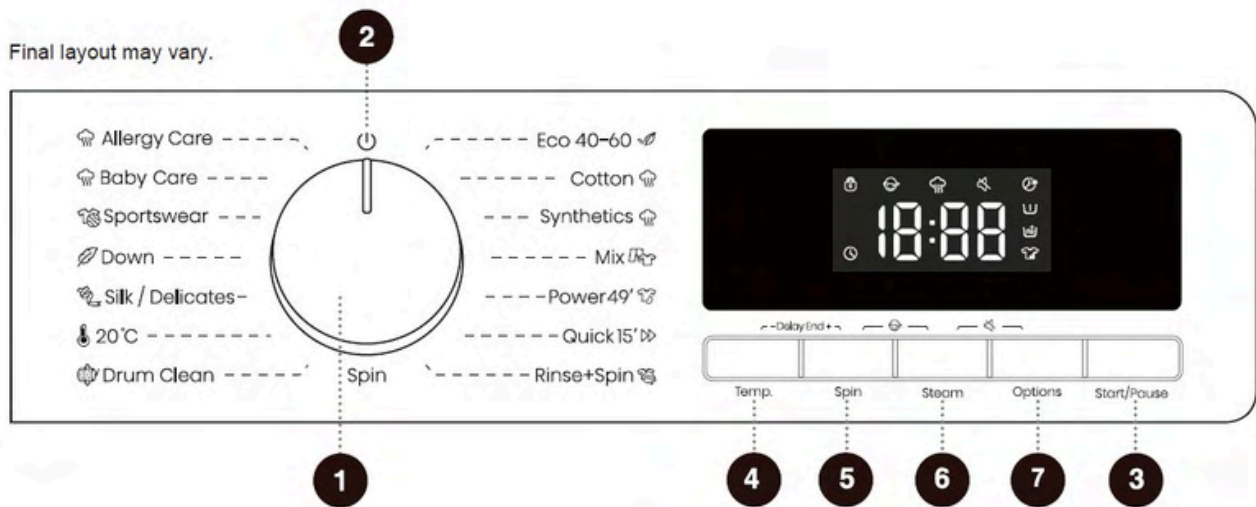
La porte est correctement fermée lorsque vous entendez un clic.

Ne surchargez pas le tambour ! Pour la charge maximale, consultez le tableau des programmes. Si le tambour est trop rempli, le linge ne sera pas correctement lavé.

Assurez-vous que le linge est entièrement placé dans le tambour afin qu'il ne se coince pas dans la porte.



## 7. PROGRAMMES



1. Sélecteur de programme – Tournez le bouton pour sélectionner le programme souhaité.
2. Marche/Arrêt – Allumez ou éteignez l'appareil.
3. Start/Pause – Démarrez ou mettez le programme en pause.
4. Température – Sélectionnez la température de lavage.
5. Essorage – Réglez la vitesse d'essorage.
6. Vapeur – Activez ou désactivez la fonction vapeur.
7. Options – Appuyez sur ce bouton pour sélectionner des fonctions supplémentaires.

Fonctions combinées :

Départ différé (4 + 5) – Planifiez le cycle de lavage à un moment approprié.

Sécurité enfant (5 + 6) – Maintenez les deux boutons enfoncés simultanément pour activer ou désactiver la sécurité enfant.

Mode silencieux (6 + 7) – Maintenez les deux boutons enfoncés simultanément pour activer ou désactiver le mode silencieux.

### Tableau des programmes

Allumez l'appareil et sélectionnez le programme en tournant le bouton principal (en fonction du type de linge et de son degré de salissure). Pendant le fonctionnement, le bouton principal ne tourne pas automatiquement.

<b>Eco 40-60</b>	
Température de lavage	-
Quantité maximale de linge sec	10 kg
Sélection de la vitesse d'essorage (tr/min)	1400
Type de linge / Description	Convient pour le linge avec un niveau de salissure général.
<b>Cotton</b>	
Température de lavage	(- -, 20°C, 30 °C, 40°C, 60°C, 90°C)
Quantité maximale de linge sec	10 kg
Sélection de la vitesse d'essorage (tr/min)	1400
Type de linge / Description	Convient pour le lavage de linge en coton ou lin modérément ou fortement sali.
<b>Synthétiques</b>	
Température de lavage	(- -, 20°C, 30°C, 40°C,60°C)
Quantité maximale de linge sec	3.5 kg
Sélection de la vitesse d'essorage (tr/min)	1200
Type de linge / Description	Convient pour le lavage de linge en coton et synthétique légèrement ou modérément sali.
<b>Mixte</b>	
Température de lavage	(- -, 20°C, 30°C, 40°C)
Quantité maximale de linge sec	3.5 kg
Sélection de la vitesse d'essorage (tr/min)	1200
Type de linge / Description	Convient pour laver une petite quantité de linge très sale, en peu de temps pour un lavage intensif.
<b>Power 49'</b>	
Température de lavage	(- -, 20°C, 30°C,
Quantité maximale de linge sec	40°C) 2.5 kg
Sélection de la vitesse d'essorage (tr/min)	1200
Type de linge / Description	Convient pour une petite charge de linge ou du linge légèrement sali. Modifier les paramètres par défaut prolongera la durée du lavage.
<b>Rapide 15'</b>	
Température de lavage	(- -, 20°C, 30°C, 40°C)
Quantité maximale de linge sec	1 kg
Sélection de la vitesse d'essorage (tr/min)	800
Type de linge / Description	Convient pour essorer le linge séparément. Ne pas ajouter de détergent ni d'assouplissant pour ce programme.
<b>Rinçage + Essorage</b>	
Température de lavage	-
Quantité maximale de linge sec	10 kg
Sélection de la vitesse d'essorage (tr/min)	1400
Type de linge / Description	Convient pour rincer et essorer le linge séparément. Ne pas ajouter de détergent pour ce programme.
<b>Essorage</b>	
Température de lavage	-
Quantité maximale de linge sec	10 kg
Sélection de la vitesse d'essorage (tr/min)	1400
Type de linge / Description	Convient pour essorer le linge séparément. Ne pas ajouter de détergent ni d'assouplissant pour ce programme.
<b>Nettoyage du tambour</b>	
Température de lavage	(90°C)
Quantité maximale de linge sec	-
Sélection de la vitesse d'essorage (tr/min)	800
Type de linge / Description	Il est utilisé pour nettoyer le tambour et éliminer les résidus de détergent ainsi que les bactéries qui peuvent s'accumuler, surtout lors de l'utilisation de programmes à basse température. Ne pas ajouter de détergent ni d'assouplissant pour ce programme.

<b>20°C</b>	
Température de lavage	(20°C)
Quantité maximale de linge sec	10 kg
Sélection de la vitesse d'essorage (tr/min)	1400
Type de linge / Description	Convient pour le lavage en machine des tissus en soie (se référer aux instructions de l'étiquette du linge). L'utilisation d'un assouplissant n'est pas recommandée pour ce programme.
<b>Soie / Délicats</b>	
Température de lavage	(-, 20°C, 30°C, 40°C)
Quantité maximale de linge sec	2 kg
Sélection de la vitesse d'essorage (tr/min)	600
Type de linge / Description	Convient pour le lavage en machine d'articles garnis de fibres synthétiques, tels que coussins, matelas et couvre-lits, ainsi que d'articles garnis de duvet.
<b>Duvet</b>	
Température de lavage	(-, 20°C, 30°C, 40°C)
Quantité maximale de linge sec	2 kg
Sélection de la vitesse d'essorage (tr/min)	600
Type de linge / Description	Convient pour les articles lavables en machine et garnis de fibres synthétiques, tels que les oreillers, matelas et couvre-lits, ainsi que pour les articles garnis de duvet.
<b>Vêtements de sport</b>	
Température de lavage	(-, 20°C, 30°C, 40°C)
Quantité maximale de linge sec	2.5 kg
Sélection de la vitesse d'essorage (tr/min)	1000
Type de linge / Description	Convient pour le lavage en machine des vêtements de sport.
<b>Soin bébé</b>	
Température de lavage	(40°C, 60°C, 90°C)
Quantité maximale de linge sec	2 kg
Sélection de la vitesse d'essorage (tr/min)	1200
Type de linge / Description	Convient pour le linge de bébé et les sous-vêtements, etc., stérilisés et désinfectés à la vapeur à haute température. L'utilisation d'un assouplissant n'est pas recommandée pour ce programme.
<b>Soin anti-allergie</b>	
Température de lavage	(60°C)
Quantité maximale de linge sec	2 kg
Sélection de la vitesse d'essorage (tr/min)	1200
Type de linge / Description	Convient pour le lavage de vêtements résistants à haute température et peu sujets à la décoloration, afin d'éliminer le pollen, les acariens, les parasites et autres allergènes grâce à la haute température.

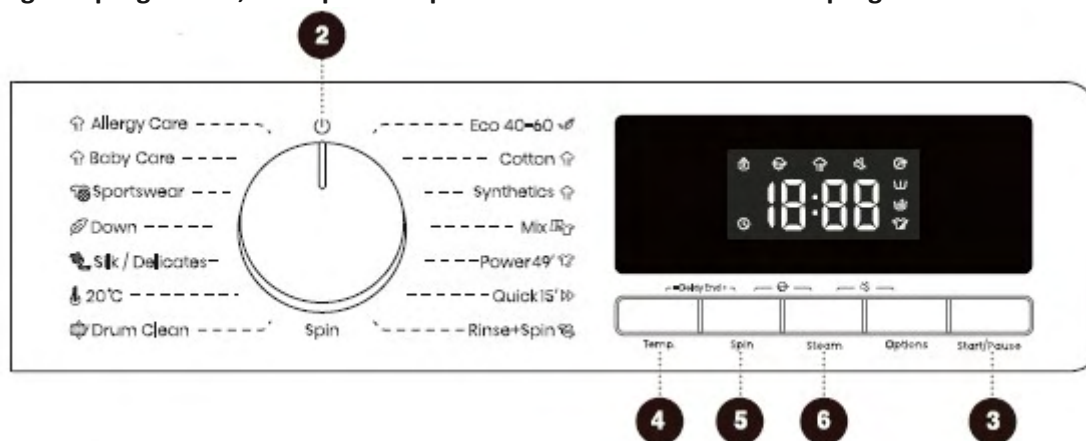
1. Température de l'eau : Sélectionnez la température de l'eau appropriée pour le programme de lavage choisi. Suivez toujours les instructions de l'étiquette d'entretien du fabricant pour éviter d'endommager les vêtements.
2. La température réelle de l'eau peut différer de la température déclarée du cycle.
3. Les résultats des tests dépendent de la pression de l'eau, de la dureté de l'eau, de la température de l'eau d'arrivée, de la température ambiante, du type de linge et de la charge, du degré de salissure, du détergent utilisé, des fluctuations de l'alimentation électrique et des options supplémentaires choisies.
4. Une surcharge du linge pendant le cycle de lavage peut réduire l'efficacité du lavage, car l'appareil détecte initialement un poids inférieur et utilise moins d'eau. Une quantité d'eau insuffisante peut également endommager le linge et prolonger la durée du lavage.
5. Nettoyage du tambour (si disponible) : Assurez-vous que le tambour est vide avant d'utiliser le programme de nettoyage du tambour. Il est recommandé de l'exécuter au moins une fois par mois.
6. Lors du détartrage, utilisez uniquement des produits détartrants avec protection anti-corrosion ajoutée (n'utilisez que des produits détartrants non corrosifs et suivez les instructions du fabricant). Terminez le processus de détartrage en exécutant plusieurs fois les programmes « Nettoyage du tambour » (ou autres programmes à haute température) afin d'éliminer tout résidu de produit détartrant. Il est recommandé de le faire au moins une fois tous les six mois.

La charge maximale ou nominale s'applique au linge préparé conformément à la norme IEC 60456. Pour un meilleur résultat de lavage, nous recommandons de charger le tambour aux 2/3 lors de l'utilisation des programmes coton.

## Fonctions

La plupart des programmes disposent de réglages de base, mais ceux-ci peuvent être modifiés. Ajustez les paramètres en appuyant sur le bouton de fonction correspondant (avant d'appuyer sur le bouton START/PAUSE). Certains réglages ne peuvent pas être sélectionnés avec certains programmes. Ces réglages ne seront pas allumés et, lorsque le bouton correspondant est pressé, un signal sonore sera émis et le bouton clignotera.

Les réglages et fonctions supplémentaires ne peuvent être configurés qu'en mode veille, c'est-à-dire avant le démarrage du programme, et ne peuvent pas être sélectionnés une fois le programme lancé.



### 2. Interrupteur d'alimentation

Allumez/éteignez l'appareil. Pour arrêter le programme pendant son fonctionnement, tournez le sélecteur de programme sur " " pour l'éteindre. En mode veille ou après la fin du programme, l'appareil s'éteindra automatiquement si aucune opération n'est effectuée pendant un certain temps.

### 3. Démarrer/Pause

Démarrez ou mettez en pause le programme. Si la porte n'est pas fermée ou verrouillée, une alarme s'affichera à l'écran après avoir appuyé sur "Démarrer".

### 4. Température

Modifiez la température du programme sélectionné. Chaque programme a une température prédéfinie. Appuyez sur ce bouton avant de démarrer le programme pour afficher la température actuelle. Appuyez de nouveau pour faire défiler les valeurs de température prédéfinies (-- indique un lavage à froid). La température de chauffage peut varier selon le programme.

### 5. Essorage

Ajustez la vitesse d'essorage avant de démarrer le programme. Appuyez sur ce bouton pour afficher la vitesse d'essorage actuelle. Appuyez de nouveau pour faire défiler les valeurs prédéfinies.

### 6. Vapeur

Cette fonction peut générer de la vapeur, réduire ou éliminer les plis et rendre les vêtements plus confortables. Appuyez sur ce bouton pour activer ou désactiver la fonction.



## 7. Options

Appuyez sur ce bouton pour sélectionner des fonctions supplémentaires du programme. Une seule fonction peut être définie à chaque pression. Après la sélection de la fonction, l'icône correspondante s'allume ou clignote.

### Rapide

Cette fonction peut réduire la durée du programme et accélérer le processus de lavage.

Pour les programmes avec pesée automatique, annulez la pesée automatique après avoir sélectionné cette fonction, et reprenez la pesée automatique après l'avoir désélectionnée.

### Prélavage

Cette fonction permet d'allonger le processus de prélavage avant le cycle principal afin d'améliorer l'efficacité du lavage.

Lors de la sélection de la fonction Prélavage, ajoutez le détergent dans le compartiment de prélavage du bac à détergent.

### Rinçage supplémentaire

Cette fonction permet d'augmenter le nombre de rinçages pour un programme supplémentaire.

### Intensif

Cette fonction permet d'allonger la durée du lavage et d'intensifier l'efficacité du nettoyage.

## 4+5. Fin différée

Planifiez le lavage à un moment qui vous convient.

Après avoir sélectionné le programme et les fonctions, réglez l'option Fin différée. Appuyez et maintenez le bouton Temp. + Essorage.

Ensuite, la fonction de réservation est activée. Appuyez sur le bouton Temp. ou Essorage pour réduire ou augmenter l'heure de la réservation. Chaque pression modifie le temps d'1 heure, jusqu'à un maximum de 24:00.

Le temps de Fin différée correspond à l'heure de fin du programme, c'est-à-dire qu'il inclut toute la durée du programme. Par conséquent, le temps de Fin différée doit être supérieur à la durée du programme.

Lorsque la fonction Fin différée est activée, l'icône " " à l'écran s'allume ou clignote. Une fois la fonction terminée, l'icône s'éteint.

Si la fonction Fin différée est sélectionnée avant le démarrage du programme, elle peut être désactivée en choisissant un programme ou une fonction différente.

Pour désactiver la fonction Fin différée après le démarrage du programme, l'appareil doit être éteint puis redémarré.



## 5+6. Verrouillage enfant

L'appareil est équipé d'un verrouillage enfant pour empêcher toute utilisation accidentelle par les enfants et assurer leur sécurité.

Appuyez simultanément et maintenez les boutons Essorage + Vapeur pour activer le verrouillage enfant.

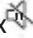
L'icône de verrouillage enfant " " s'allume.

Répétez la même opération pour désactiver le verrouillage enfant. Lorsque le verrouillage enfant est activé, tous les boutons sauf l'alimentation sont verrouillés.

Après la fin du programme, le verrouillage enfant est automatiquement désactivé.

## 6+7. Mode silencieux

Désactivez tous les signaux sonores sauf les alarmes pour réduire le bruit. Lorsque l'appareil est en veille, en pause ou en fonctionnement, appuyez simultanément et maintenez les boutons Vapeur + Options.


Simultanément, l'icône de Mode silencieux  " s'allume pour activer la fonction silencieuse.

Répétez la même opération pour désactiver la fonction silencieuse et rétablir tous les signaux sonores.

## 12. Affichage

Il sert à afficher le temps restant, l'heure de réservation, les codes d'erreur et d'autres informations relatives au programme.

Description des icônes

 Icône de verrouillage de la porte

L'icône de verrouillage de la porte s'allume lorsque la porte est verrouillée. Ne forcez pas l'ouverture de la porte pour éviter tout risque de blessure.

## Function table

Programme	Temp	Spin	Vapeur	Rapide	Préla vage	Rinçage supplém entaire	Intensif	Fin différée	Verrouil lage enfant	Silen cieux
Eco40-60	-	●	-	-	-	-	-	●	●	●
Coton	●	●	●	●	●	●	●	●	●	●
Synthétiques	●	●	●	●	●	●	●	●	●	●
Mixte	●	●	-	●	●	●	●	●	●	●
Marche/Arrêt 49'	●	●	-	●	●	●	-	●	●	●
Rapide 15'	●	●	-	-	-	●	-	●	●	●
Rinçage + Essorage	-	●	-	-	-	●	-	●	●	●
Essorage	-	●	-	-	-	-	-	●	●	●
Nettoyage du tambour	-		-	-	-	-	-	●	●	●
20C	-	●	-	-	●	●	●	●	●	●
Soie / Délicats	●	●	-	-	-	●	-	●	●	●
Duvet	●	●	-	-	-	●	-	●	●	●
Vêtements de sport	●	●	-	-	●	●	●	●	●	●
Soin bébé	●	●	○	●	●	●	●	●	●	●
Soin anti-allergie	-	●	○	-	●	●	●	●	●	●

● Fonctions optionnelles

### Fonctions non sélectionnables

○ Fonctions intégrées par défaut non annulables

## Starting and ending program

Once you have selected the program and extra functions, and added the detergent into the detergent drawer, press the "Start/Pause" button to start the program.



Une fois que vous avez appuyé sur le bouton "Démarrer/Pause", vous ne pouvez modifier aucun réglage, sauf pour activer/désactiver le verrouillage enfant et le mode silencieux (si disponibles) et ajuster le niveau d'eau (si disponible).

Lorsque le programme commence, l'icône " " apparaît à l'écran pour indiquer que le linge est en cours de pesée. Après le démarrage du programme, l'icône " " s'allume à l'écran. Lorsque le programme est terminé, l'icône disparaît. Si vous appuyez sur le bouton Démarrer/Pause pendant le fonctionnement du programme et que toutes les conditions sont remplies pour ouvrir la porte, l'icône " " s'éteint également.

Si cette icône ne disparaît pas, cela signifie que la porte ne peut pas être ouverte. Dans ce cas, n'essayez pas d'ouvrir la porte par la force.

Si l'heure sur l'écran clignote lorsque le programme est en pause, vérifiez que la porte est correctement fermée, puis appuyez sur le bouton Démarrer/Pause pour reprendre le programme.

Un signal sonore indique la fin du programme. L'écran affichera "Fin". L'appareil s'éteindra automatiquement si aucune opération n'est effectuée pendant un certain temps.

Pour terminer et ranger le linge :

1. Éteignez l'appareil.
2. Fermez le robinet d'eau.
3. Débranchez le cordon d'alimentation de la prise.
4. Fermez la porte du lave-linge.
5. Retirez le linge du tambour.

Certains programmes détectent automatiquement le poids du linge avant le lavage et ajustent la durée du programme en conséquence.

## Interruptions et modification du programme

### MODIFICATION DU PROGRAMME

Pour changer le programme pendant son fonctionnement, éteignez puis rallumez l'appareil, sélectionnez le programme et les fonctions supplémentaires souhaités, puis appuyez sur le bouton Démarrer/Pause pour lancer le nouveau programme.

### PAUSE DU PROGRAMME

Vous pouvez arrêter le programme à tout moment en appuyant sur le bouton Démarrer/Pause. Lorsque le temps restant du programme clignote à l'écran, le programme est temporairement en pause. Si les conditions suivantes sont remplies, le verrouillage de la porte est libéré et vous permet d'ouvrir la porte :

1. La température à l'intérieur du tambour doit être sécurisée.
2. Le niveau d'eau dans le tambour doit être inférieur à un certain seuil.

### INTERRUPTION DU PROGRAMME

Pour arrêter ou annuler le programme pendant son fonctionnement, vous devez éteindre l'appareil.

### Reprise du programme

Pour reprendre le programme, fermez la porte et appuyez sur le bouton Démarrer/Pause.

Lorsque le programme de lavage est mis en pause puis redémarré, il reprendra à partir du point où il a été interrompu.

Lorsque le programme d'essorage est mis en pause puis redémarré, il recommencera depuis le début du cycle d'essorage.

### AJOUT DE LINGE PENDANT LE FONCTIONNEMENT DU PROGRAMME

Pour ajouter du linge pendant le fonctionnement du programme, attendez que le niveau d'eau et la température à l'intérieur du tambour soient inférieurs à un seuil prédéfini. Appuyez sur le bouton Démarrer/Pause pour mettre le programme en pause ; le temps restant clignote à l'écran et l'icône de verrouillage de la porte s'éteint (sur certains modèles, l'icône Ajouter du linge " " s'allume). Vous pouvez alors ouvrir la porte pour ajouter du linge.

Si l'icône de verrouillage de la porte est active, les conditions pour ouvrir la porte ne sont pas remplies et vous ne pouvez pas ajouter de linge pendant le fonctionnement du programme.

Si une quantité importante de linge supplémentaire est ajoutée pendant le lavage et que le niveau d'eau est insuffisant, l'efficacité du nettoyage peut diminuer, car l'appareil calcule l'apport en eau en fonction du poids initial du linge. Un niveau d'eau insuffisant peut également endommager le linge en raison des frottements, et la durée du lavage sera prolongée.

### PANNE

En cas de panne, le programme sera interrompu.

Des voyants clignotants et un signal sonore avertiront de la survenue de la panne (voir le chapitre CODES D'ERREUR ET DÉPANNAGE), et le code de panne (FXX) sera indiqué à l'écran.

### COUPURE D'ÉLECTRICITÉ

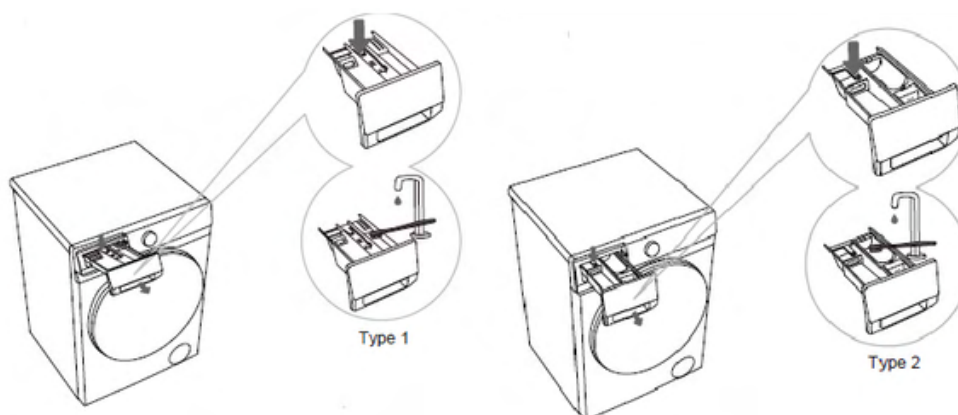
En cas de coupure de courant, le programme de lavage est interrompu. Lorsque l'alimentation électrique est rétablie, le programme reprend à partir du point où il a été interrompu.

Si de l'eau est encore présente dans l'appareil après une coupure de courant, n'ouvrez pas la porte tant que vous n'avez pas évacué manuellement l'eau à l'aide du filtre-pompe.

## 8. ENTRETIEN ET NETTOYAGE

Un entretien régulier peut prolonger la durée de vie de l'appareil. Avant toute opération de maintenance, débranchez le lave-linge du secteur et fermez le robinet d'eau. Les enfants ne doivent pas nettoyer le lave-linge ni effectuer de travaux de maintenance sans surveillance appropriée.

### Nettoyage du tiroir à détergent

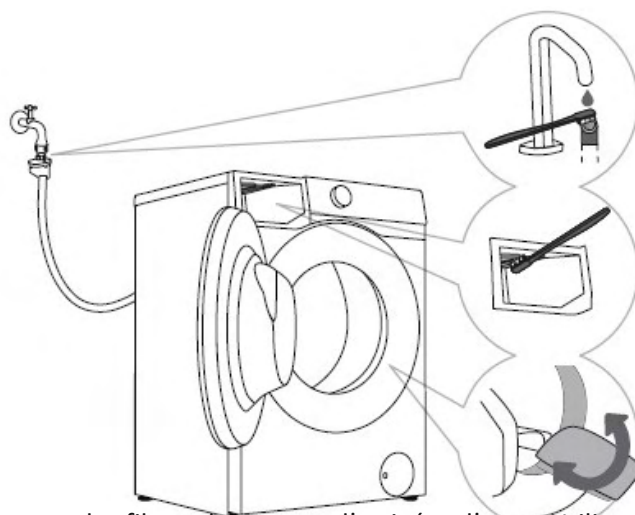


1. Appuyez sur le levier de limitation et tirez le tiroir à détergent. (Reportez-vous à la position indiquée par la flèche dans le diagramme de gauche)

2. Nettoyez le tiroir à détergent avec une brosse, rincez-le à l'eau courante, puis essuyez-le soigneusement. Retirez tout résidu de détergent au fond du logement. Remplacez ensuite le tiroir à détergent à sa position d'origine.

**Ne lavez pas le tiroir à détergent au lave-vaisselle.**

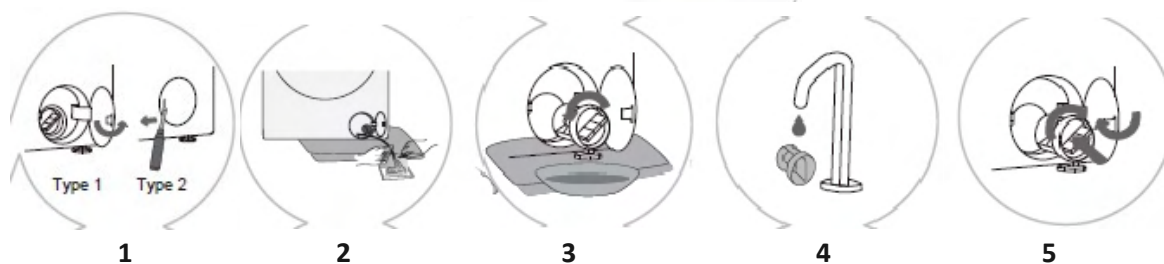
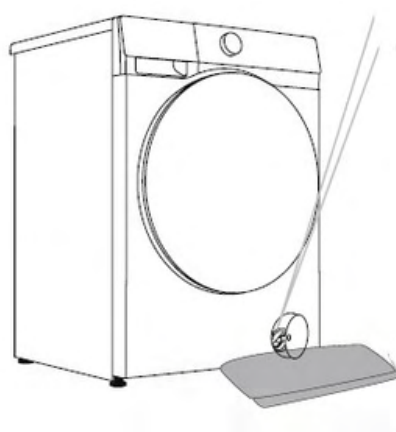
### Nettoyage du tuyau d'arrivée d'eau, du logement du distributeur de détergent et du joint en caoutchouc de la porte



1. Nettoyez régulièrement le filtre du tuyau d'arrivée d'eau. Utilisez une brosse pour nettoyer entièrement le logement du distributeur de détergent, en insistant particulièrement sur les buses situées sur le dessus.
2. Après chaque lavage, essuyez le joint en caoutchouc de la porte pour prolonger sa durée de vie.
- 3.

Pour prévenir la formation de moisissures sur le joint, laissez la porte légèrement ouverte après le lavage afin de permettre à l'humidité de s'évaporer avant de refermer la porte.

### Nettoyage du filtre de la pompe



### 1. Ouvrez le couvercle du filtre de la pompe.

- Type 1 : Appuyez sur le couvercle du filtre de la pompe pour l'ouvrir.
- Type 2 : Utilisez un outil approprié (tournevis plat ou similaire) pour ouvrir le couvercle du filtre de la pompe. (Le type varie selon le modèle.)

2. Placez une serviette sous le couvercle du filtre. Si l'appareil est équipé d'un tuyau de vidange, placez l'extrémité du tuyau dans un récipient. Faites tourner le bouchon du tuyau de vidange jusqu'à ce qu'il se desserre et retirez-le pour permettre à l'eau de s'écouler naturellement. Remplacez ensuite le bouchon du tuyau de vidange. Si aucun tuyau de vidange n'est équipé, placez un récipient sous le filtre de la pompe. (Le type varie selon le modèle.)

3. Tournez lentement le filtre de la pompe dans le sens antihoraire. Retirez le filtre de la pompe pour permettre à l'eau de s'écouler lentement.

4. Nettoyez le filtre de la pompe à l'eau courante.

5. Réinstallez le filtre de la pompe comme indiqué sur la figure et serrez-le en le tournant dans le sens horaire. Pour une bonne étanchéité, la surface du joint du filtre doit être propre.

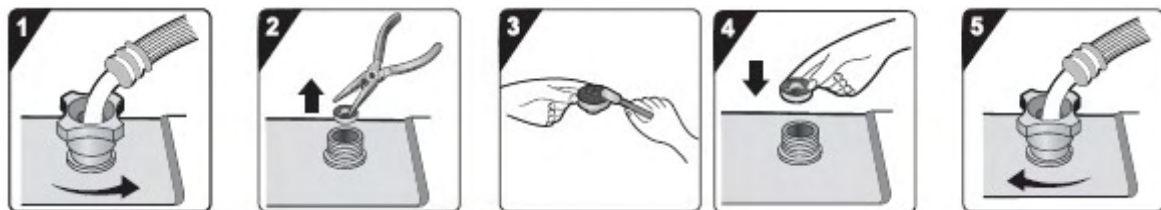
Le filtre de la pompe doit être nettoyé régulièrement, surtout après le lavage de linge très pelucheux, laineux ou très ancien. Nettoyez également le filtre de la pompe si l'appareil ne peut pas démarrer le cycle d'essorage ou s'il y a des débris dans la pompe (boutons, pièces de monnaie, épingles à cheveux, pinces, etc.).

Ne jamais ouvrir le filtre de la pompe lorsque l'appareil fonctionne. Ne mettez pas l'appareil en marche tant que le filtre de la pompe n'est pas correctement installé afin d'éviter fuites ou dysfonctionnements.

## Procédures d'entretien du filtre d'arrivée d'eau

Vérifiez et nettoyez régulièrement le filtre d'arrivée d'eau.

Nettoyez immédiatement le filtre d'arrivée si l'alimentation en eau est lente.



1. Fermez le robinet d'eau et dévissez le tuyau d'arrivée d'eau.

2. Retirez le filtre d'arrivée d'eau.

3. Nettoyez le filtre d'arrivée d'eau.

4. Réinstallez le filtre d'arrivée d'eau.

5. Reconnectez le tuyau d'arrivée d'eau. Ouvrez le robinet et vérifiez qu'il n'y a pas de fuites au niveau de la connexion.

Le filtre d'arrivée d'eau retient les impuretés et les sédiments provenant de l'alimentation en eau. Il est recommandé de le nettoyer au moins tous les six mois, ou plus fréquemment si vous avez une eau dure ou si vous remarquez des dépôts de calcaire.

## Nettoyage de l'extérieur

Débranchez toujours le lave-linge du secteur avant de le nettoyer. Nettoyez l'extérieur du lave-linge et l'unité d'affichage à l'aide d'un chiffon en coton doux et humide avec de l'eau. Ensuite, utilisez un chiffon doux et sec pour essuyer l'appareil.

N'utilisez aucun solvant ni produit de nettoyage pouvant endommager le lave-linge (veillez à respecter les recommandations et avertissements des fabricants de produits de nettoyage).

Nettoyez la porte de l'appareil avec un chiffon humide, puis essuyez-la avec un chiffon doux et sec.

N'utilisez pas une quantité excessive d'eau pour nettoyer l'appareil.

## 9. DÉPANNAGE

Symptôme de panne	Mesures correctives recommandées
La machine ne démarre pas	<p>Vérifiez si le cordon d'alimentation est branché dans la prise et si la prise fonctionne correctement (en la testant avec un autre appareil).</p> <p>Vérifiez si la porte est correctement fermée.</p> <p>Vérifiez si le bouton Démarrer/Pause a été enfoncé.</p> <p>La machine s'arrête pendant le fonctionnement normal</p> <p>Vérifiez si la porte est correctement fermée. Fermez la porte et appuyez sur le bouton Démarrer/Pause.</p> <p>Vérifiez la présence d'une mousse excessive. L'appareil peut mettre le programme en pause pour désembouer.</p> <p>Après le processus de désembouage, l'appareil reprendra automatiquement son fonctionnement.</p> <p>Vérifiez si la protection de sécurité a été activée.</p>
Le temps affiché au début du programme augmente ou diminue	<p>Il s'agit de l'ajustement adaptatif de l'appareil en fonction des facteurs qui influencent la durée du lavage.</p> <p>Mousse excessive</p> <p>Déséquilibre causé par une grande quantité de linge</p> <p>Temps de chauffage prolongé dû à une température d'arrivée d'eau faible</p> <p>En raison de ces facteurs, le temps restant affiché est recalculé et mis à jour en conséquence (si l'appareil effectue un ajustement de déséquilibre, le temps affiché reste inchangé).</p> <p>De plus, l'appareil détecte la charge pendant l'arrivée d'eau et ajuste la durée du programme en conséquence (contrôle flou).</p>
Résidus de détergent ou d'autres additifs dans le tiroir à détergent après le lavage	<p>Vérifiez si le tiroir à détergent est correctement installé et propre.</p> <p>Vérifiez si la pression de l'eau est normale et si le filtre d'arrivée n'est pas obstrué.</p>
Mauvaise odeur dans la machine	<p>L'odeur peut être causée par les matériaux en caoutchouc à l'intérieur de l'appareil. Il s'agit d'une odeur de caoutchouc, qui disparaît après quelques utilisations.</p>
Bruits/sons anormaux pendant le lavage	<p>Des objets étrangers tels que des clés, des pièces de monnaie ou des épingles peuvent être tombés dans le tambour.</p> <p>Arrêtez l'appareil et vérifiez la présence d'objets étrangers dans le tambour.</p> <p>Si le bruit persiste après le redémarrage, contactez le service après-vente.</p> <p>Le linge peut être mal réparti dans le tambour.</p> <p>Mettez le programme en pause, déverrouillez la porte et répartissez de nouveau le linge.</p>
Vibrations importantes lors de l'essorage	<p>Vérifiez si la vitesse d'essorage est réglée sur "0" ou "Pas d'essorage".</p> <p>Vérifiez si l'appareil est de niveau et si les quatre pieds sont bien en contact avec le sol.</p> <p>Vérifiez si les vis/barres de transport ont été retirées.</p> <p>Les vis/barres de transport doivent être retirées avant l'utilisation de l'appareil.</p> <p>Vérifiez si tous les supports de mousse ont été retirés du dessous de l'appareil.</p>
Essorage insuffisant	<p>L'appareil est équipé d'un système de détection et de correction du déséquilibre.</p> <p>Après avoir détecté un déséquilibre causé par un linge lourd (par exemple, des peignoirs) et plusieurs tentatives d'essorage, le système réduit automatiquement la vitesse d'essorage ou arrête même le processus d'essorage afin de protéger l'appareil.</p> <p>Si le linge reste très humide après l'essorage, retirez-le du tambour, secouez-le pour le détacher, puis sélectionnez à nouveau le programme d'essorage.</p> <p>Une mousse excessive peut nuire à l'efficacité de l'essorage. Assurez-vous d'utiliser une quantité appropriée de détergent peu moussant.</p>

Fuite d'eau	<p>Fuite du tuyau d'arrivée d'eau Vérifiez la connexion entre le robinet et le connecteur du tuyau d'arrivée d'eau pour détecter d'éventuelles fuites. Si une fuite est présente, enrroulez du ruban d'étanchéité autour de l'extrémité du robinet ou remplacez le robinet. Il est recommandé de vérifier également la connexion entre le connecteur du tuyau d'arrivée d'eau et la vanne d'arrivée pour s'assurer de son étanchéité. Serrez la connexion pour éliminer les fuites.</p> <p>Fuite du tuyau de vidange Pour les modèles avec vidange par le haut, les clips du tuyau de vidange ne doivent pas être retirés, car cela entraînerait une évacuation continue de l'eau.</p> <p>Fuite du tiroir à détergent Le tiroir à détergent n'est pas fermé correctement. Appuyez sur la poignée pour fermer le tiroir à détergent hermétiquement.</p> <p>Fuite au niveau du joint de la porte Vérifiez le joint de la porte pour détecter la présence d'objets étrangers et nettoyez-le si nécessaire.</p>
Linge froissé	<p>Linge froissé Le linge n'est pas retiré rapidement du tambour. Après la fin du cycle de lavage, retirez le linge du tambour sans attendre.</p> <p>L'appareil est surchargé. Le tambour ne doit pas être plein et la porte doit se fermer facilement.</p> <p>La vitesse d'essorage est trop élevée. Réglez une vitesse d'essorage adaptée au type de linge.</p>

## Codes d'erreur

Description	Cause possible	Solution
<b>F01</b>	Panne d'arrivée d'eau	<p>Vérifiez les points suivants :</p> <ol style="list-style-type: none"> <li>1. Le robinet d'eau est-il ouvert ? La pression est-elle trop faible ?</li> <li>2. Le tuyau d'arrivée d'eau est-il pincé ?</li> <li>3. Le filtre d'arrivée d'eau est-il obstrué ?</li> <li>4. Le tuyau d'arrivée d'eau est-il gelé ?</li> </ol> <p>Après avoir effectué le dépannage, appuyez sur le bouton Démarrer/Pause pour reprendre le fonctionnement.</p>
<b>F03</b>	Panne d'évacuation d'eau	<p>Vérifiez les points suivants :</p> <ol style="list-style-type: none"> <li>1. Le tuyau de vidange est-il pincé ? L'eau s'écoule-t-elle correctement dans le tuyau ?</li> <li>2. Le filtre du tuyau de vidange est-il obstrué ?</li> <li>3. Le tuyau de vidange est-il gelé ?</li> </ol> <p>Après avoir effectué le dépannage, appuyez sur le bouton Démarrer/Pause pour reprendre le fonctionnement.</p>
<b>F24</b>	Débordement	<p>Mettez le programme en pause puis redémarrez-le. Si l'appareil continue de déborder, fermez le robinet d'eau et contactez un technicien.</p>
<b>F13</b>	Panne de verrouillage de la porte	<p>La porte est fermée, mais elle ne peut pas se verrouiller. Éteignez l'appareil puis rallumez-le. Redémarrez le programme de lavage.</p>
<b>F14</b>	Panne de déverrouillage de la porte	<p>Si la panne persiste, contactez un technicien. La porte est fermée, mais elle ne peut pas se déverrouiller. Éteignez l'appareil puis rallumez-le.</p>
<b>Other</b>	Panne du module électronique	<p>Si la panne persiste, contactez un technicien. Éteignez l'appareil puis rallumez-le. Redémarrez le programme de lavage.</p>
<b>Unb</b>	Alarme de déséquilibre	<p>Si la panne persiste, contactez un technicien. L'alarme de déséquilibre peut être résolue par les méthodes suivantes :</p> <ol style="list-style-type: none"> <li>1. Démêler le linge.</li> </ol>

		<p>Si le linge est emmêlé, éteignez d'abord l'appareil, ouvrez la porte, secouez le linge pour le détacher et replacez-le dans le tambour. Fermez ensuite la porte et sélectionnez à nouveau le programme d'essorage.</p> <p>2. Linge insuffisamment chargé Éteignez l'appareil, ouvrez la porte et ajoutez du linge supplémentaire (ou une ou deux serviettes). Fermez ensuite la porte et sélectionnez à nouveau le programme d'essorage.</p>
--	--	---

### Avant d'appeler un technicien

Lorsque vous contactez le service après-vente, veuillez préciser le modèle de votre appareil.

Le modèle, le code / ID, le type et le numéro de série sont indiqués sur la plaque signalétique de l'appareil.

En cas de défaut, n'utilisez que des pièces détachées approuvées par les fabricants autorisés.

Les réparations ou les demandes de garantie dues à des branchements incorrects ou à une mauvaise utilisation de l'appareil ne sont pas couvertes par la garantie. Dans ces cas, les frais de réparation sont à la charge de l'utilisateur.

### Recommandations d'utilisation

- Lors du premier lavage de vêtements colorés, lavez-les séparément par couleur.
- Lavez le linge très sale en petites quantités, avec une quantité accrue de poudre à lessiver ou un cycle de Prélavage (si disponible). Appliquez un détachant spécifique sur les taches tenaces avant le lavage. Nous recommandons de consulter les conseils pour l'élimination des taches.
- Si vous lavez souvent le linge à basse température et avec des détergents liquides, des bactéries peuvent se développer et provoquer des odeurs dans le lave-linge. Pour prévenir ces odeurs, nous recommandons d'exécuter de temps en temps le programme Nettoyage du tambour (ou d'autres programmes à haute température).
- Nous recommandons d'éviter de laver de très petites quantités de linge, car cela entraîne une consommation excessive d'énergie et réduit les performances du lave-linge.
- Détachez tout linge plié ou emmêlé avant de le placer dans le tambour.
- N'utilisez que des détergents destinés aux lave-linge.
- Si la dureté de l'eau dépasse 14°dH, utilisez un adoucisseur d'eau. Les dommages au chauffage résultant d'une mauvaise utilisation de l'adoucisseur d'eau ne sont pas couverts par la garantie. Vérifiez les informations sur la dureté de l'eau auprès de votre compagnie ou autorité locale de distribution d'eau.
- L'utilisation d'agents de blanchiment à base de chlore n'est pas recommandée, car ils peuvent endommager le chauffage.
- Si vous utilisez un détartrant, de l'eau de javel ou une teinture, n'utilisez que des produits adaptés à l'utilisation dans l'appareil.
- N'utilisez pas de solvants ou de produits chimiques similaires (par ex., diluant, térébenthine, essence).
- Ne mettez pas de granulés de détergent en poudre durcis dans le bac à détergent, car cela peut obstruer les conduites du lave-linge.
- Les détergents en poudre ou liquides doivent être ajoutés conformément aux instructions du fabricant, à la température de lavage et au programme sélectionné.
- Lors de l'utilisation de produits liquides concentrés pour l'entretien du linge, nous recommandons de les diluer avec de l'eau afin d'éviter le colmatage de la vidange du bac à détergent.
- Le détergent liquide convient aux programmes de lavage sans cycle de prélavage.
- Faites attention à ne pas mélanger le détergent et l'adoucissant.
- À des vitesses d'essorage élevées, le linge contient moins d'humidité résiduelle. Par conséquent, le séchage en sèche-linge sera plus économique et plus rapide.

4. Charger le lave-linge domestique jusqu'à la capacité indiquée par le fabricant pour les programmes correspondants contribue à économiser de l'énergie et de l'eau.
5. Utilisation correcte des détergents, assouplissants et autres additifs. N'appliquez pas de détergent en excès, car cela peut nuire aux résultats du lavage.
6. Nettoyage périodique, y compris la fréquence optimale, ainsi que la prévention et la procédure de détartrage.
7. Le bruit et le taux d'humidité résiduelle sont influencés par la vitesse d'essorage : plus la vitesse d'essorage est élevée, plus le bruit est important et plus l'humidité résiduelle est faible.
8. Les informations sur le produit et le code QR sont indiqués sur l'étiquette de consommation d'énergie. Les informations d'enregistrement du produit peuvent être obtenues en scannant le code QR.
9. Informations sur les programmes standards.

Programme	Capacité nominale	sélection née temp	maximale temp	Durée du programme	Consommation d'énergie (kWh/cycle)	Consommation d'eau (litres/cycle)	Taux d'humidité résiduelle (%)	Essorage (tr/min)
Eco 40-60	7 kg	-	237C	03:28	0.638	48	53	1400
Eco 40-60 ½ load Eco 40-60 ¼ load	3.5 kg	-	33C	02:42	0.380	35	53.9	1400
60 ¼ load	2 kg	-	23C	02:40	0.235	25	55	1400
Coton	7 kg	20C	20C	01:50	0.120	66	68	1000
Coton	7 kg	60C	52C	03:38	1.060	100	58	1400
Synthétiques	3.5 kg	40C	40C	02:19	0.650	65	38	1400
Rapide 15	1 kg	20C	20C	00:15	0.040	23	75	800

Les valeurs indiquées pour les programmes autres que le programme Eco 40-60 sont données à titre indicatif uniquement.

La charge maximale ou nominale s'applique au linge préparé conformément à la norme IEC 60456.

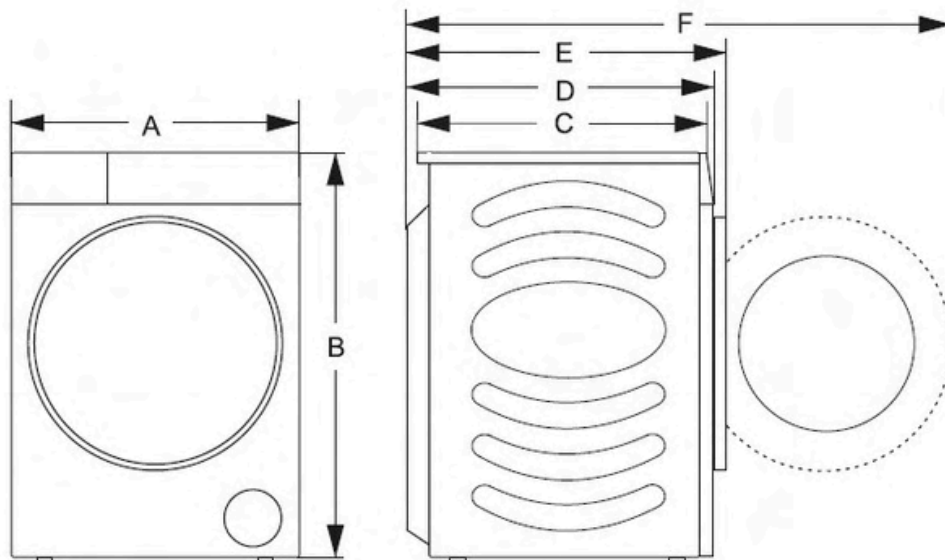
En raison des variations liées au type et à la quantité de linge, à l'essorage, aux fluctuations d'alimentation électrique ainsi qu'à la température et l'humidité ambiantes, la durée du programme et la consommation d'énergie mesurées par l'utilisateur final peuvent différer des valeurs indiquées dans le tableau.

Nous nous réservons le droit de modifier les instructions d'utilisation et de corriger toute erreur.

## DONNÉES TECHNIQUES

Produit	HWM-HME1014IVA10+++
Couleur	220-240V – 50Hz
Capacité nominale	10 kg
Puissance nominale	1600 W 595 x 470 x 845
Dimensions du produit (LxPxH)	61 kg
Poids net	

Dimensions	A	595 mm
	B	845 mm
	C	385 mm
	D	435 mm
	E	470 mm
	F	920 mm



Les informations techniques se trouvent sur la plaque signalétique située à l'intérieur de l'appareil et sur l'étiquette énergétique. Le code QR sur l'étiquette énergétique fournie avec l'appareil permet d'accéder à un lien web contenant les informations relatives aux performances de l'appareil dans la base de données EPREL de l'UE.

Conservez l'étiquette énergétique à titre de référence avec le manuel d'utilisation et tous les autres documents fournis avec cet appareil.

Il est également possible de trouver les mêmes informations dans EPREL en utilisant le lien <https://eprel.ec.europa.eu> ainsi que le nom du modèle et le numéro de produit indiqués sur la plaque signalétique de l'appareil.

Pour accéder aux informations concernant votre produit sur le portail EPREL, vous pouvez scanner les codes ci-dessous :



Merci d'avoir acheté ce produit. Si vous avez besoin d'assistance pour votre appareil, consultez notre site web en utilisant les liens ci-dessous.

**Obtenez les manuels d'utilisation:** <https://www.heinner.ro>

**Obtenez les informations de service:** <https://www.heinner.ro>



### Élimination respectueuse de l'environnement

Vous pouvez contribuer à protéger l'environnement ! Veuillez respecter les réglementations locales : déposez les équipements électriques non fonctionnels dans un centre de collecte approprié.



**HEINNER** est une marque déposée de **Network One Distribution SRL**. Les autres marques et noms de produits sont des marques ou des marques déposées de leurs propriétaires respectifs.

Aucune partie des spécifications ne peut être reproduite sous quelque forme ou par quelque moyen que ce soit, ni utilisée pour créer une œuvre dérivée telle qu'une traduction, transformation ou adaptation, sans l'autorisation de NETWORK ONE DISTRIBUTION.

Copyright © 2013 Network One Distribution. Tous droits réservés.

[www.heinner.com](http://www.heinner.com), <http://www.nod.ro>



Ce produit est conforme aux normes et standards de la Communauté européenne.



Importateur : Network One Distribution, rue Marcel

Iancu, 3-5, Bucarest, Roumanie

Tél : +40 21 211 18 56, [www.heinner.com](http://www.heinner.com) , [www.nod.ro](http://www.nod.ro)